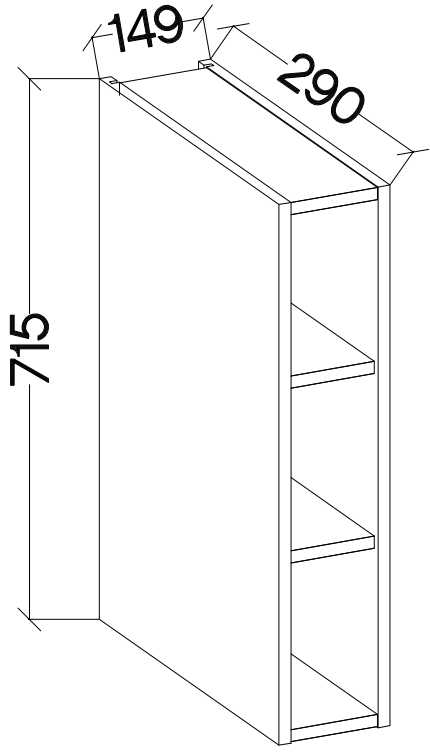
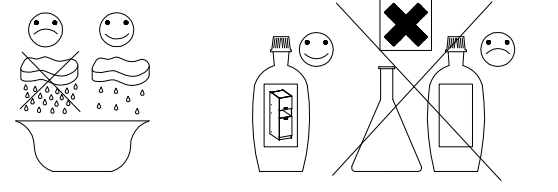
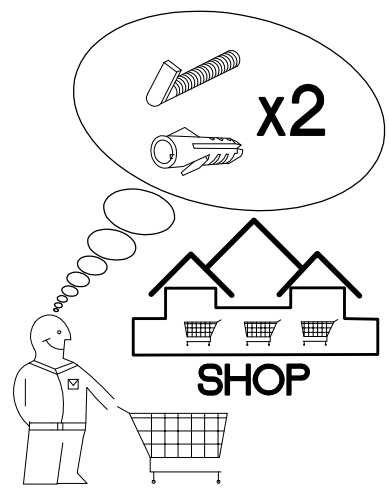
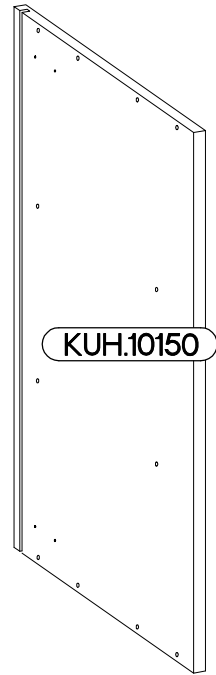
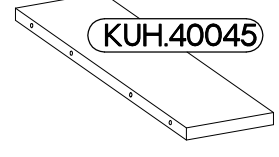
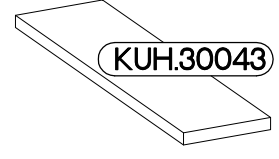
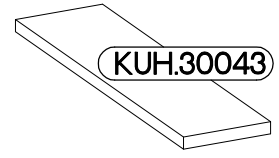
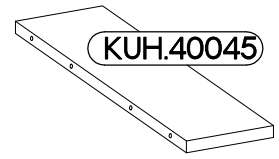
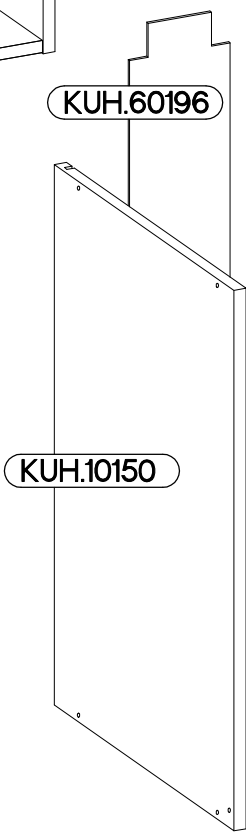
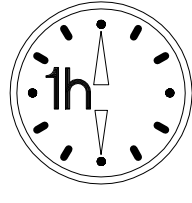


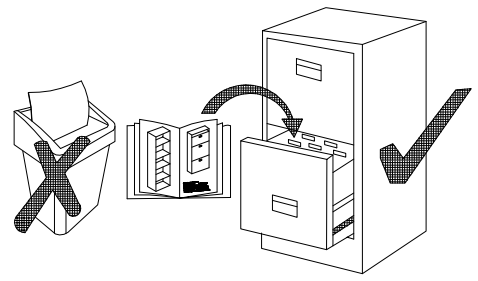
Ø10mm
15 G-72 OTW



KUH.30043
KUH.40045

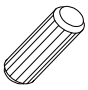

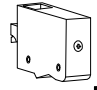


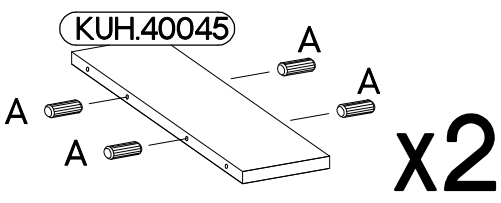
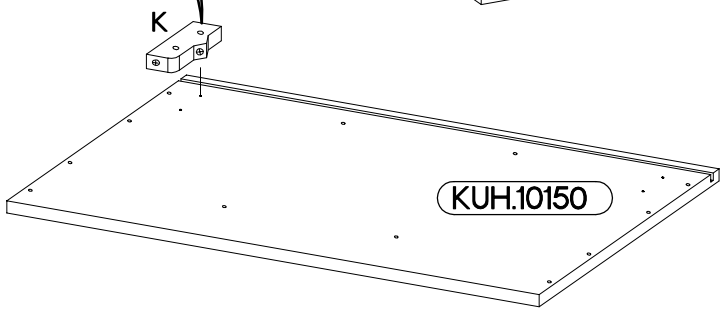
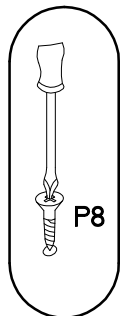
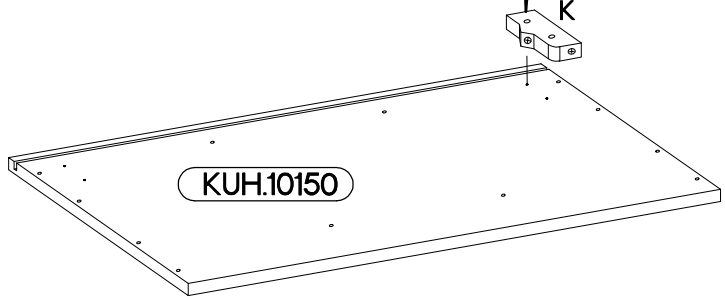
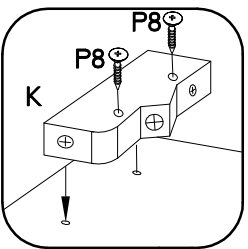
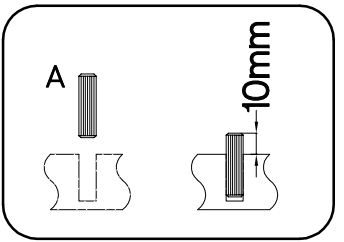
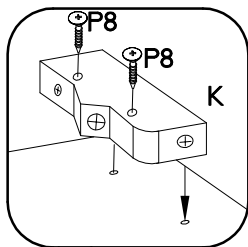
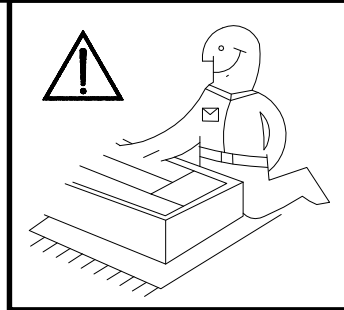
<p>†8x30mm A 8</p>	<p>6,4 x 50mm B 8</p>	<p>E1 8</p>	<p>†5/16mm J3 8</p>
<p>K 2</p>	<p>O 1</p>	<p>†3.0x20mm P7 4</p>	<p>†4.0x30mm P8 4</p>



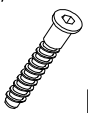


ISM-KUH-00933

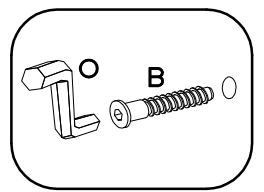
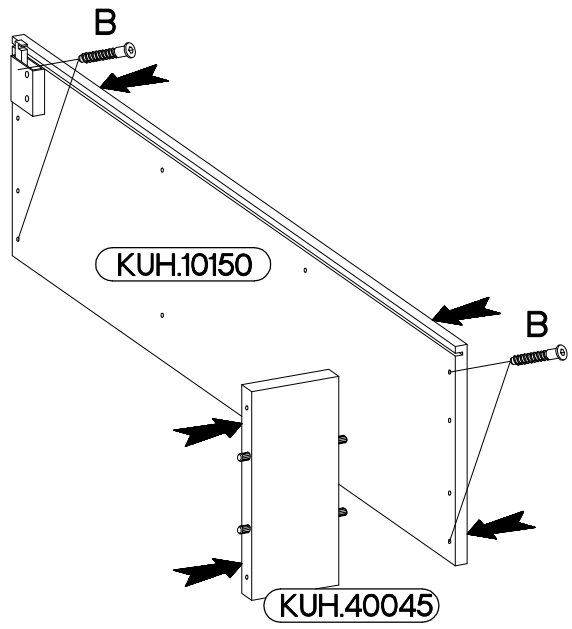
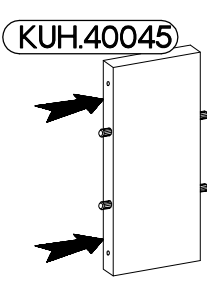
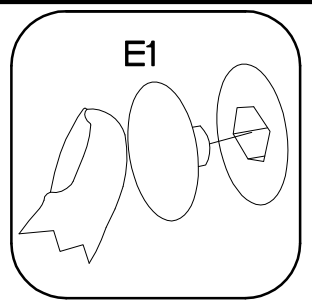
1

†8x30mm  A	†4.0x30mm  P8	 K
8	4	2



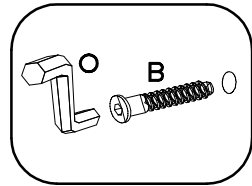
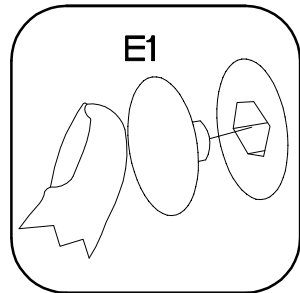
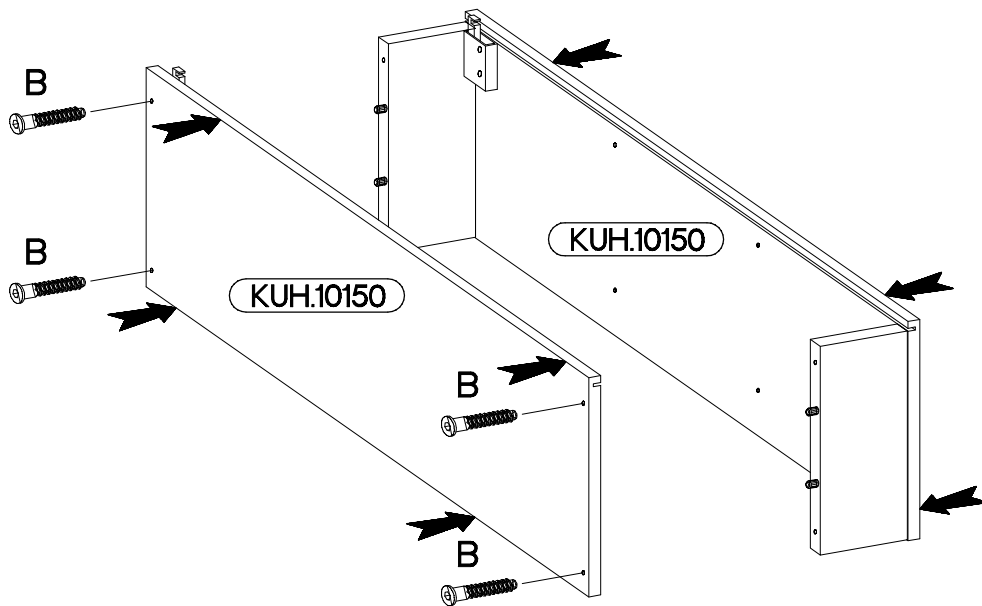
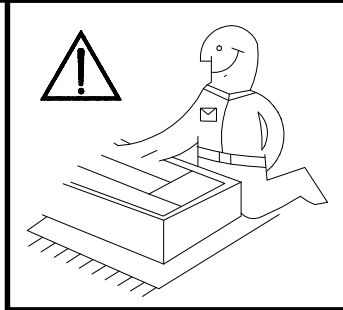
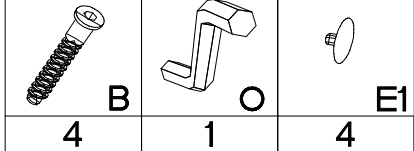
2

6,4 x 50mm  B	 O	 E1
4	1	4



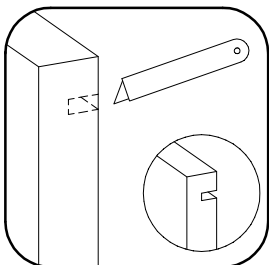
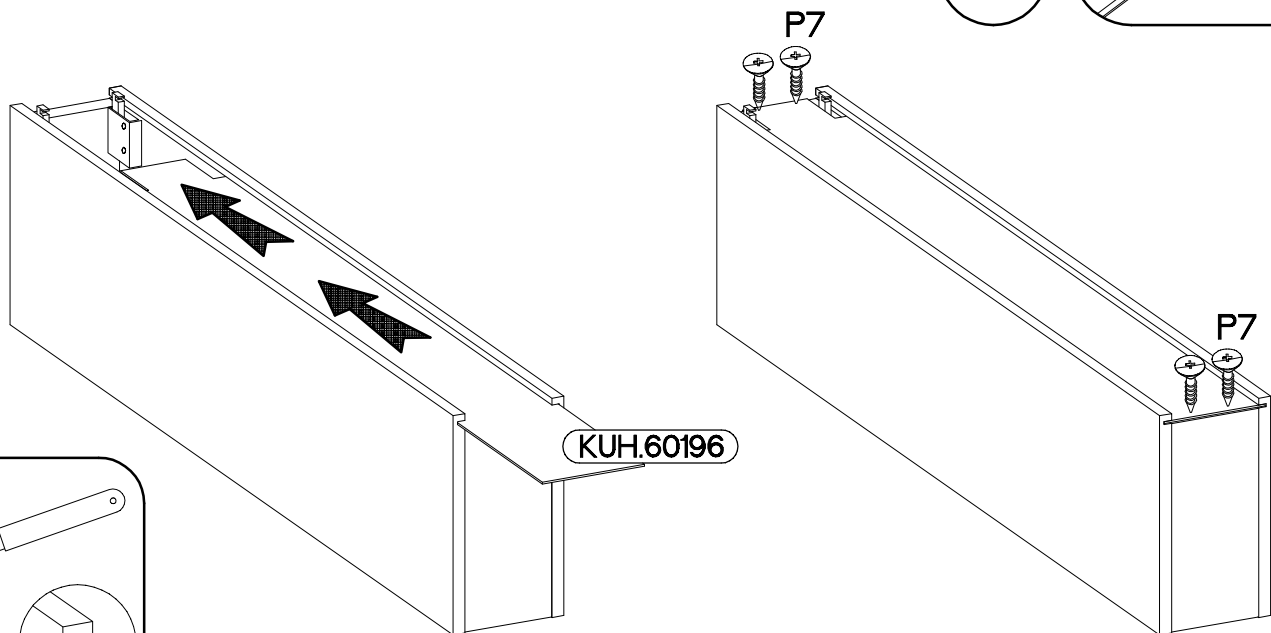
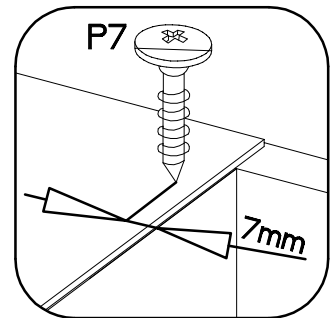
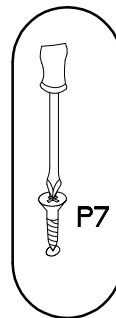
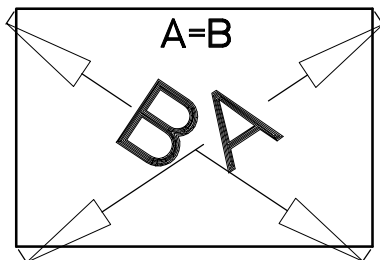
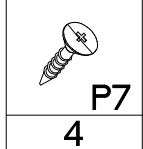
3

6,4 x 50mm

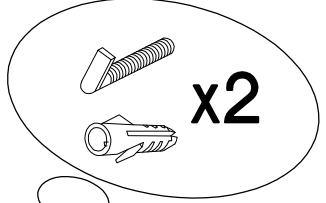
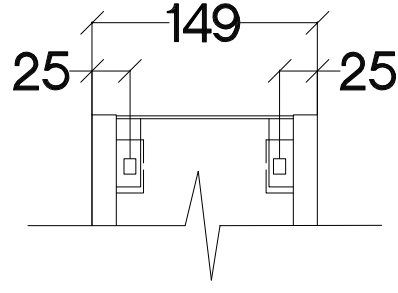
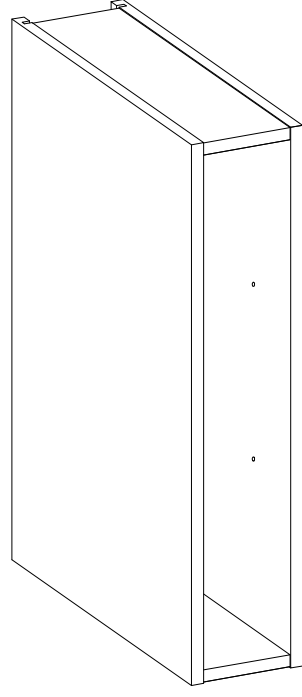
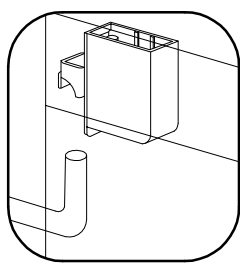
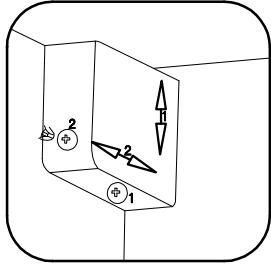
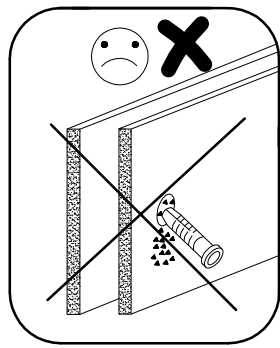
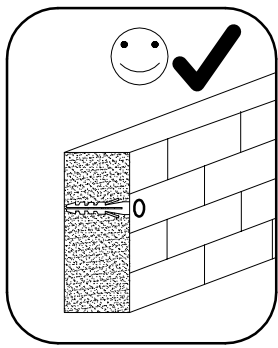
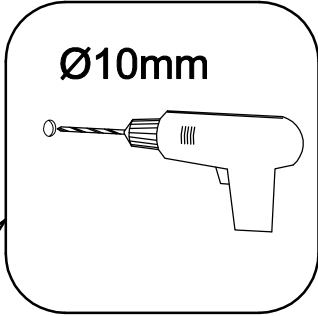
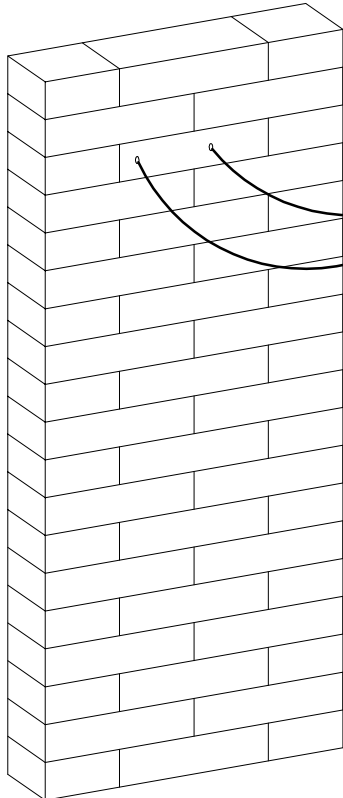


4

3.0x20mm



5



6

