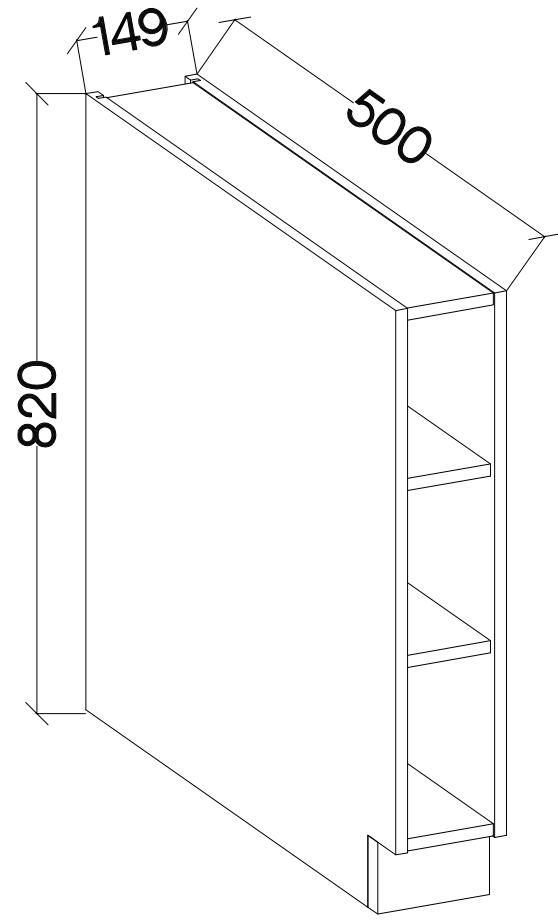
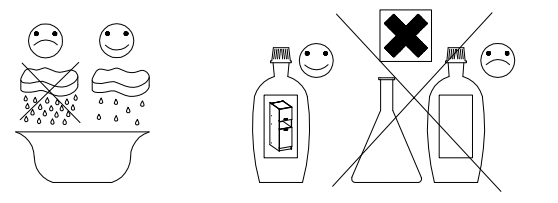
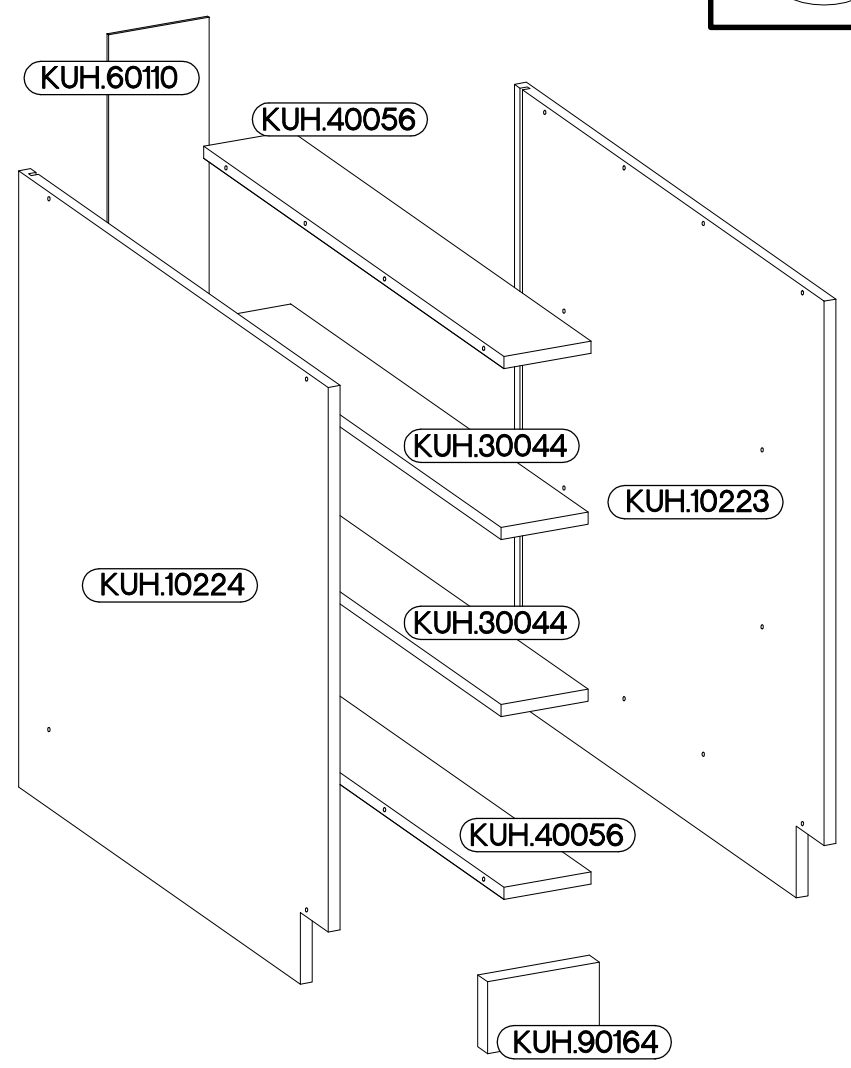
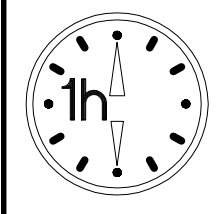


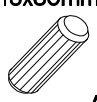
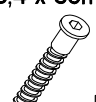



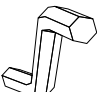


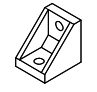
15 D OTW BB

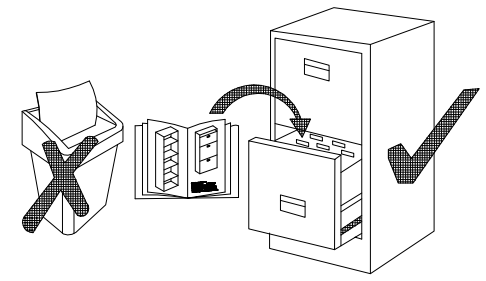


max.
5kg

KUH.30044
KUH.40056

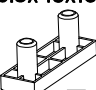
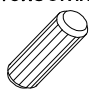


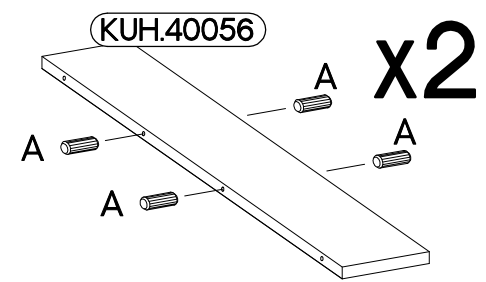
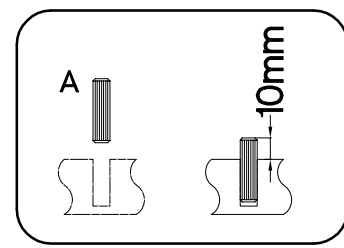
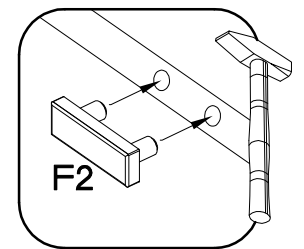
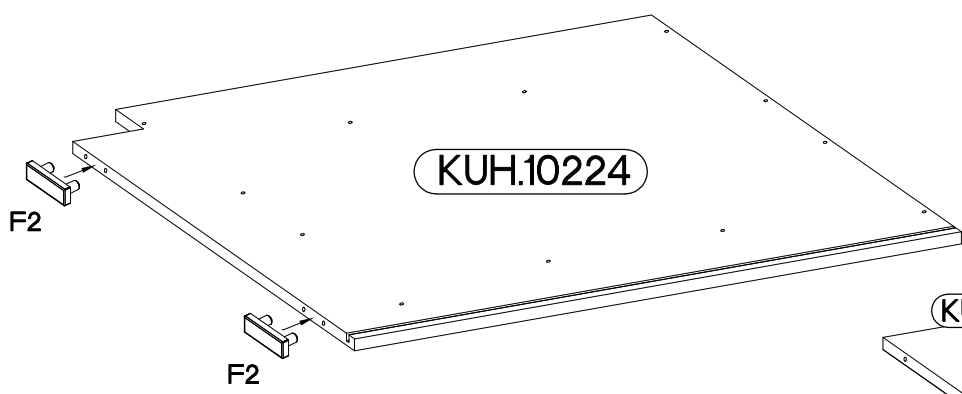
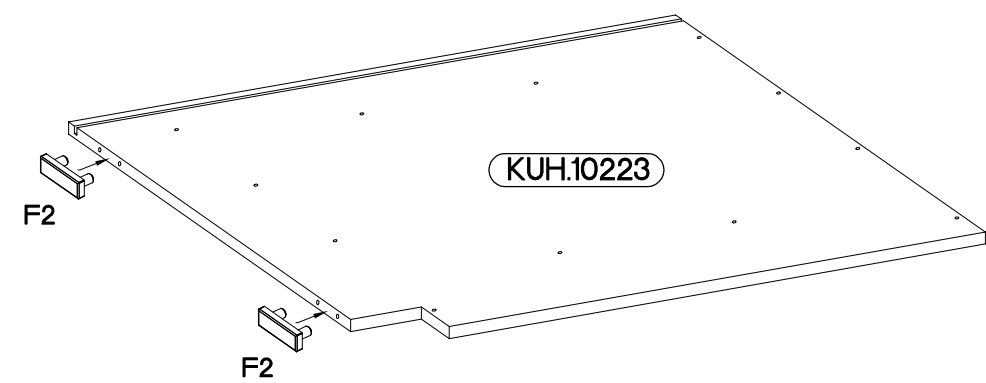
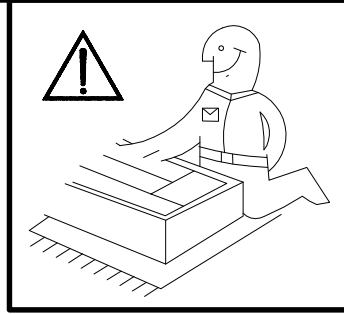
 A 8	 B 8	 E1 8	 F2 4	 J3 8
 O 1	 P1 2	 P7 4	 T3 1	



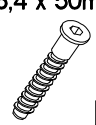
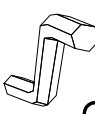

ISM-KUH-00934

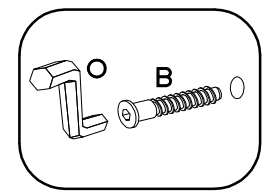
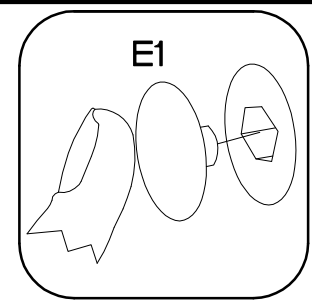
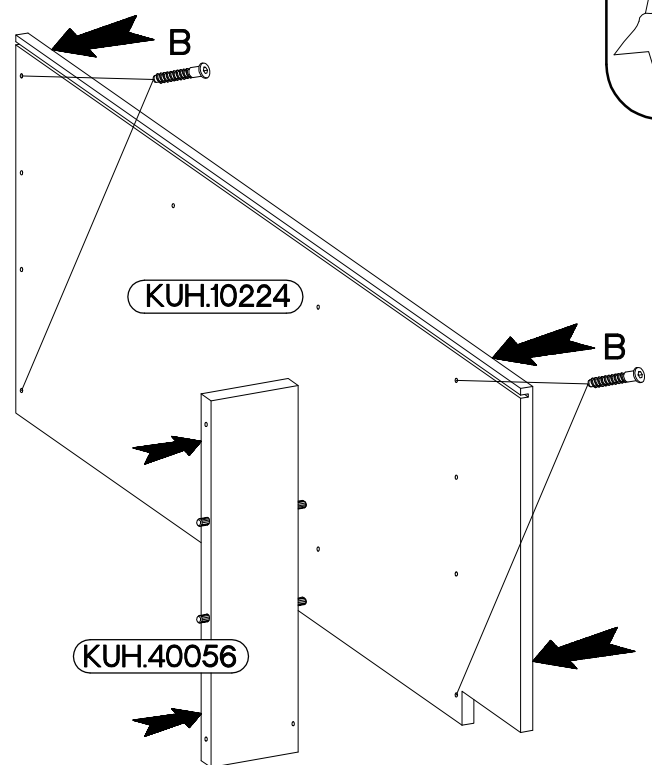
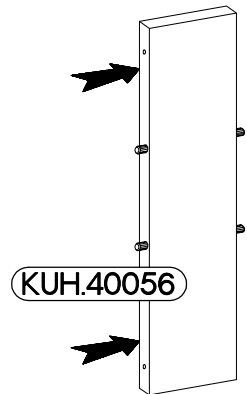
1

6.5x48x16	+8x30mm
	
F2	A
4	8


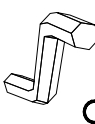



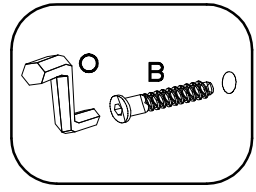
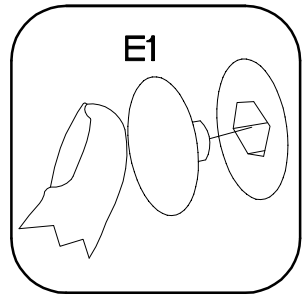
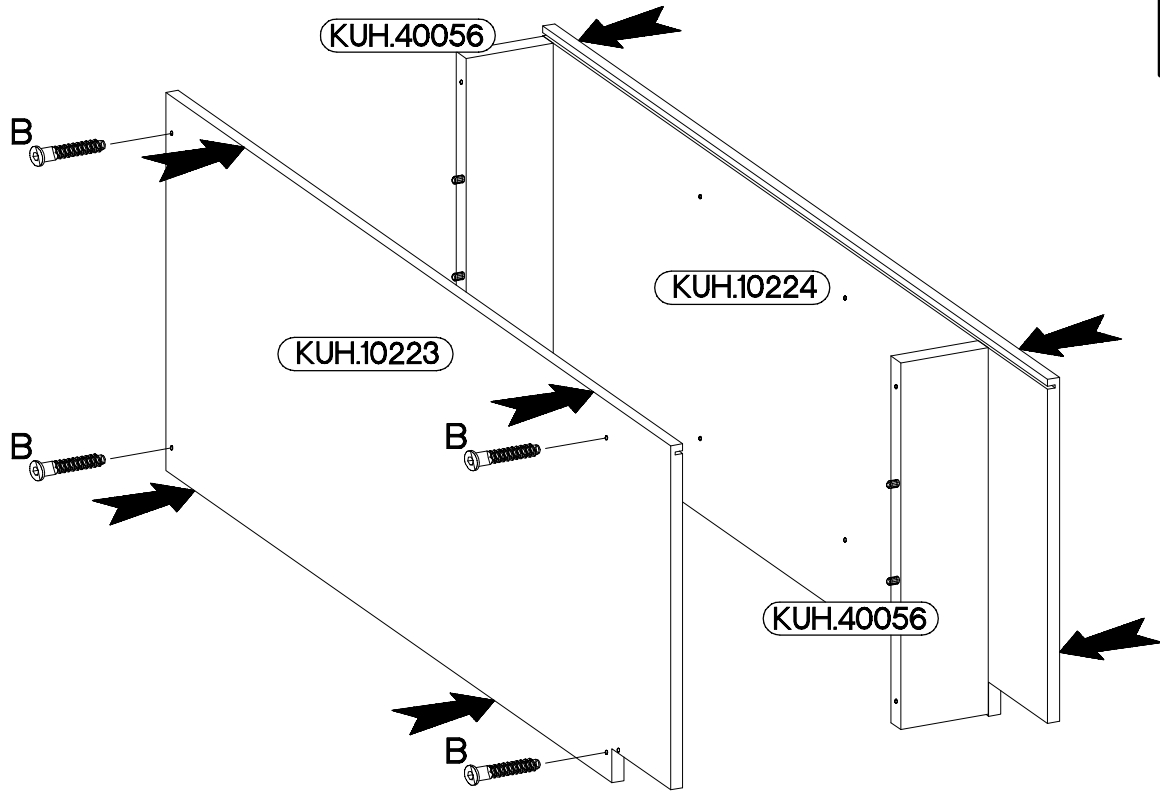
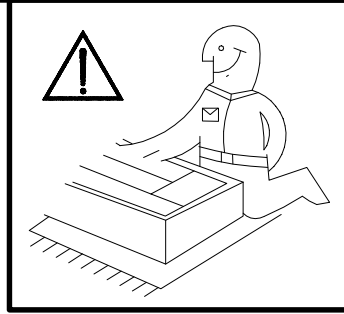
2

6,4 x 50mm			
	B	O	E1
	4	1	4




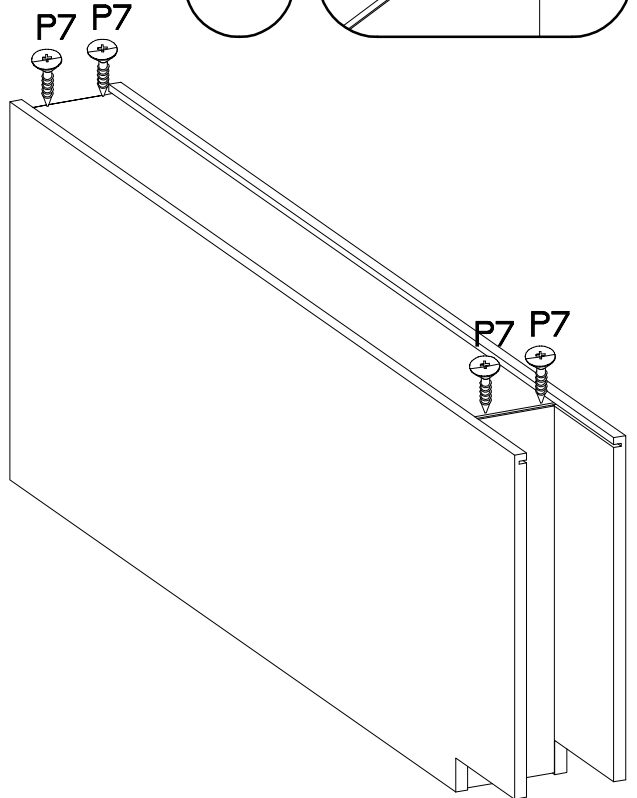
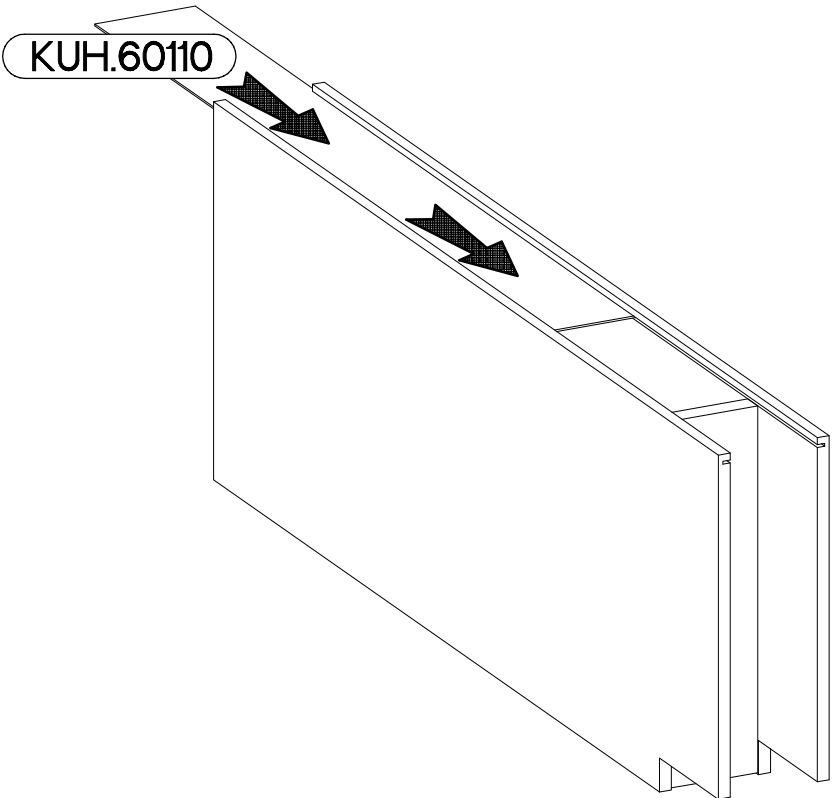
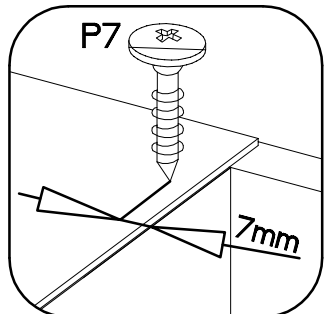
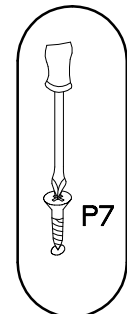
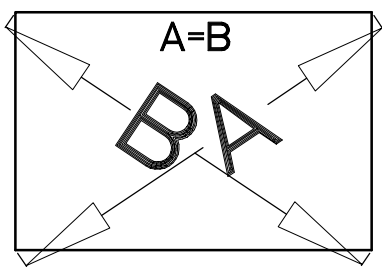
3

6,4 x 50mm			
	B	O	E1
	4	1	4

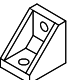


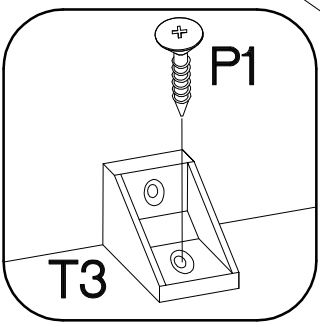
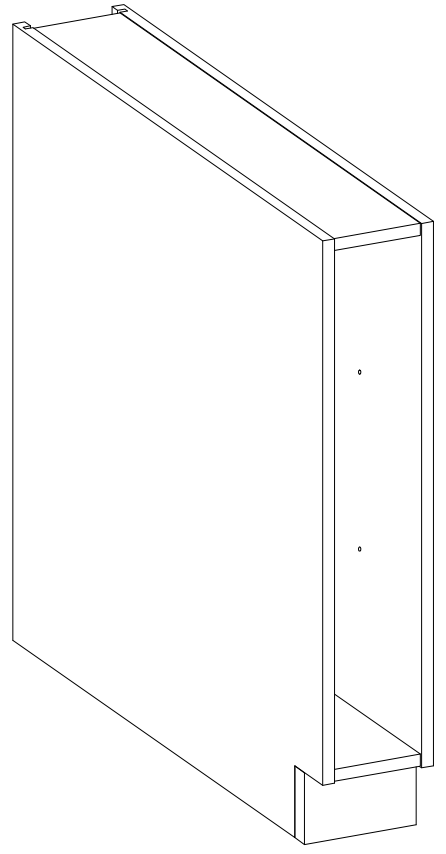
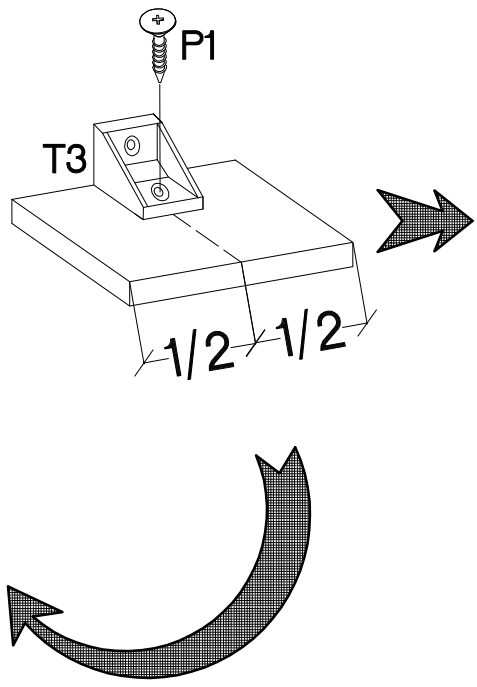
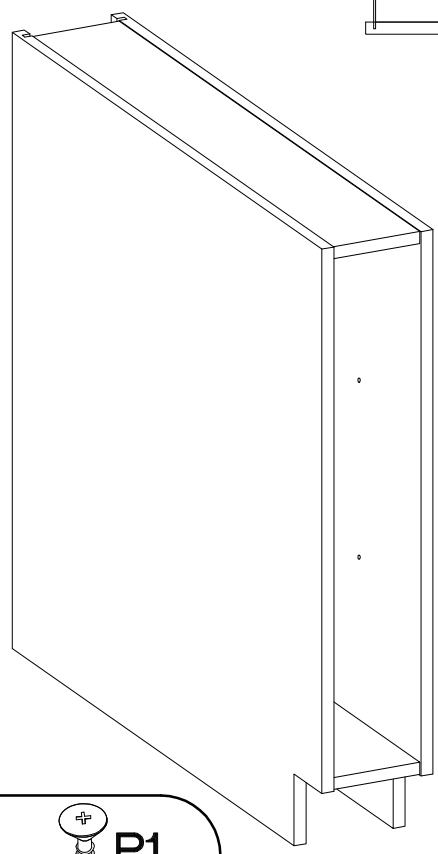
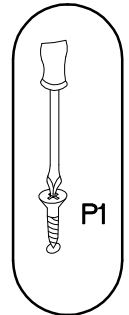
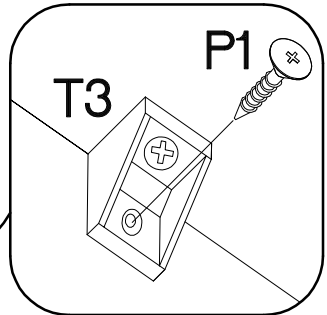
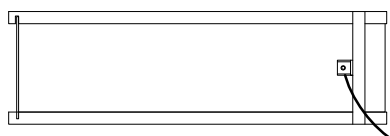
4

3.0x20mm	
	P7
	4

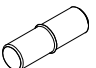


5

	$\pm 4.0 \times 16 \text{mm}$
T3	P1
1	2



6

$\pm 5/16 \text{mm}$

J3
8

