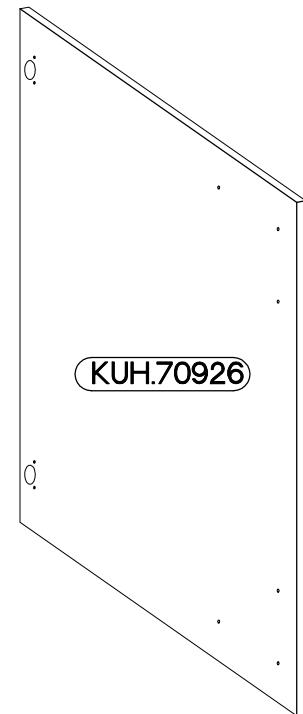
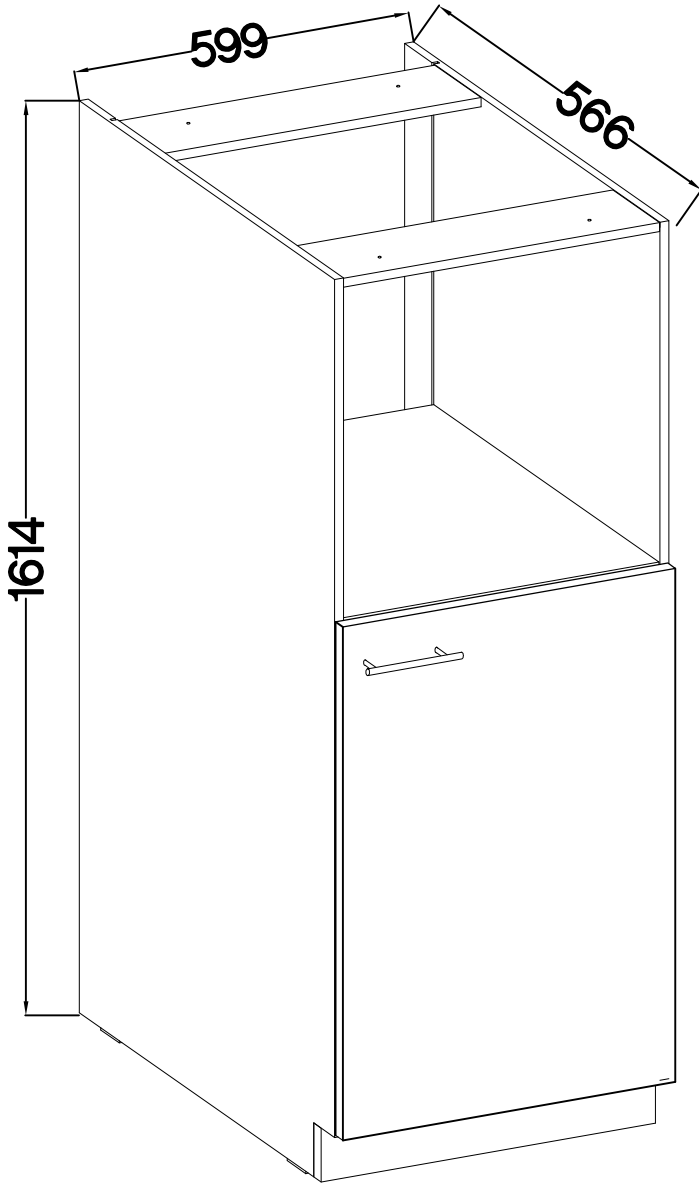
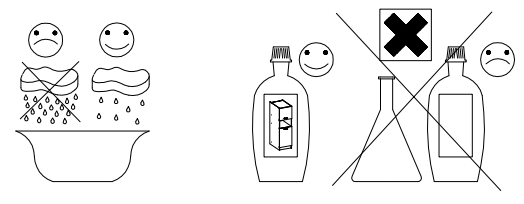


60 DKPL-162 1F BB
FRONT



M4x22mm	L=128mm
U	S
2	1

ISM-KUH-01648

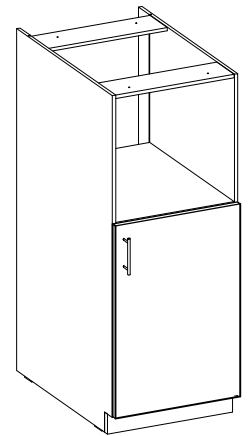
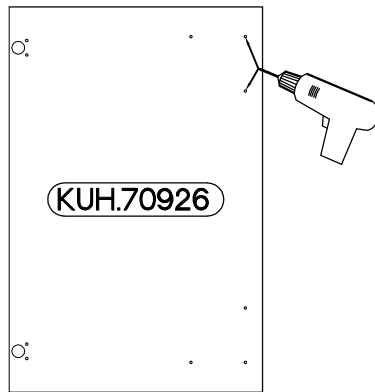
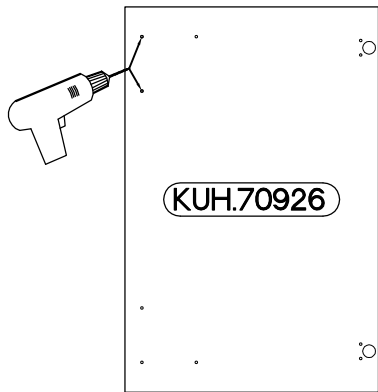
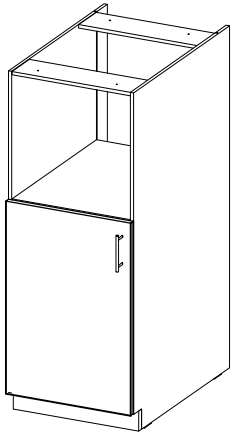
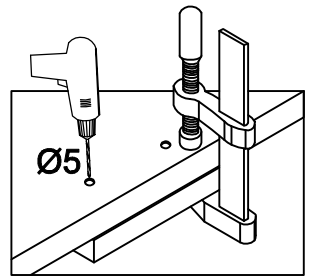
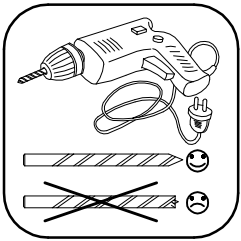
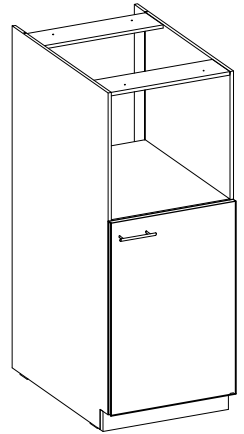
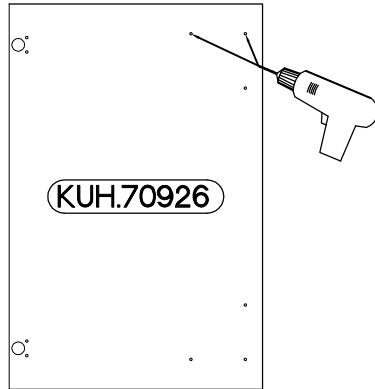
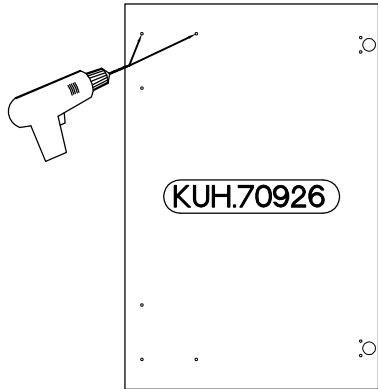
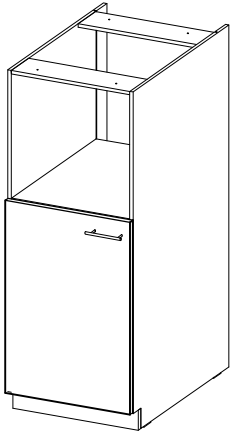
1



LEFT

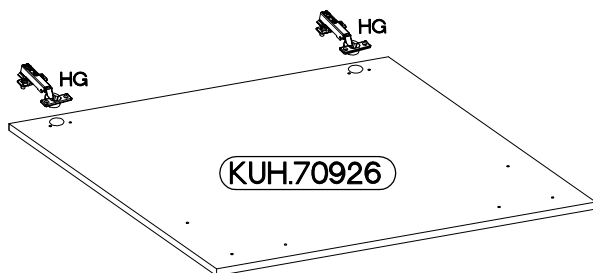
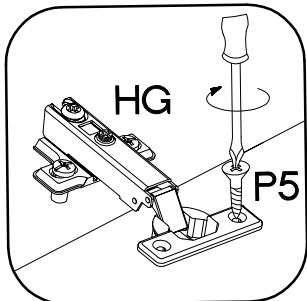


RIGHT





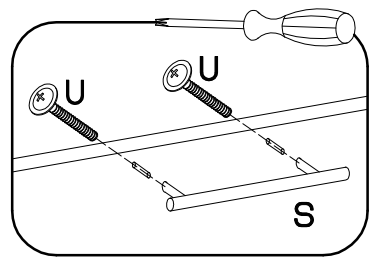
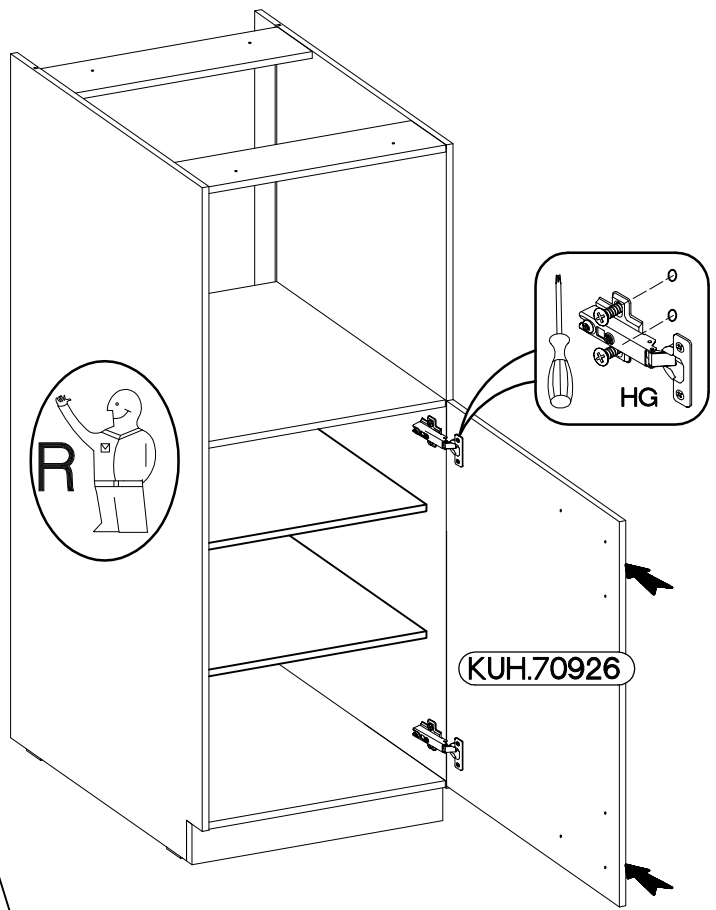
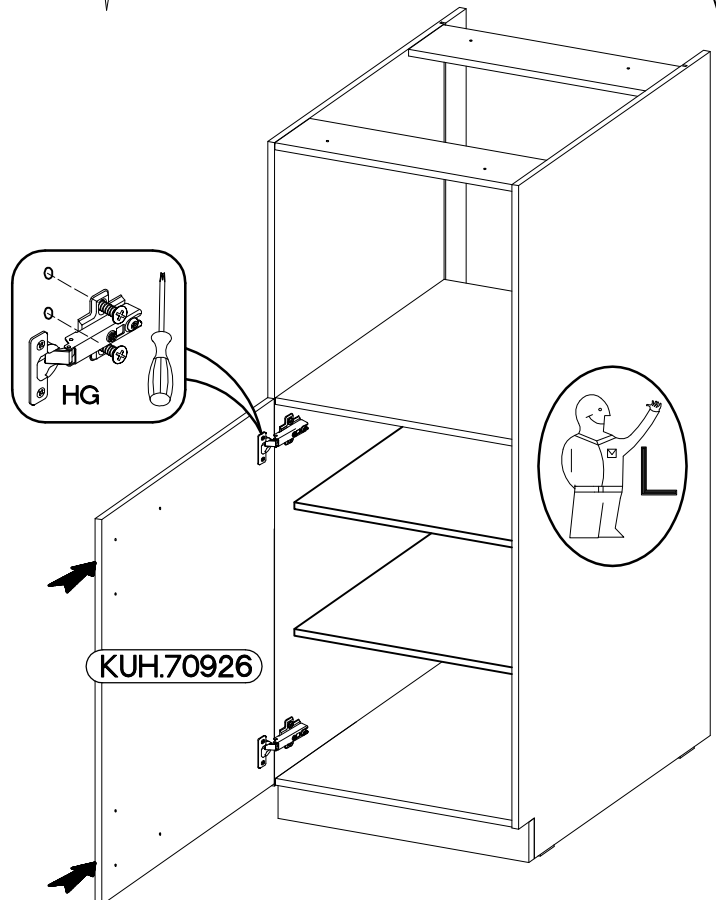
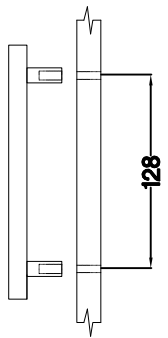
2

±35/0mm [CD] HG 2	±3.5x13mm P5 4
-----------------------------	--------------------------



3

M4x22mm	L=128mm
	
U	S
2	1



VARIANT HIGH GLOSS

