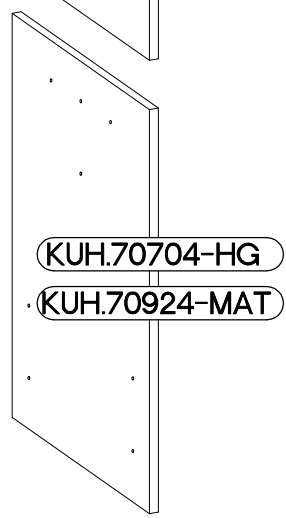
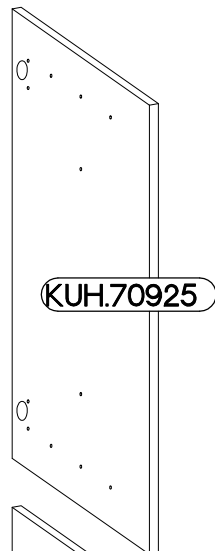
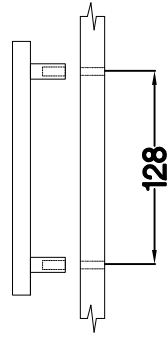
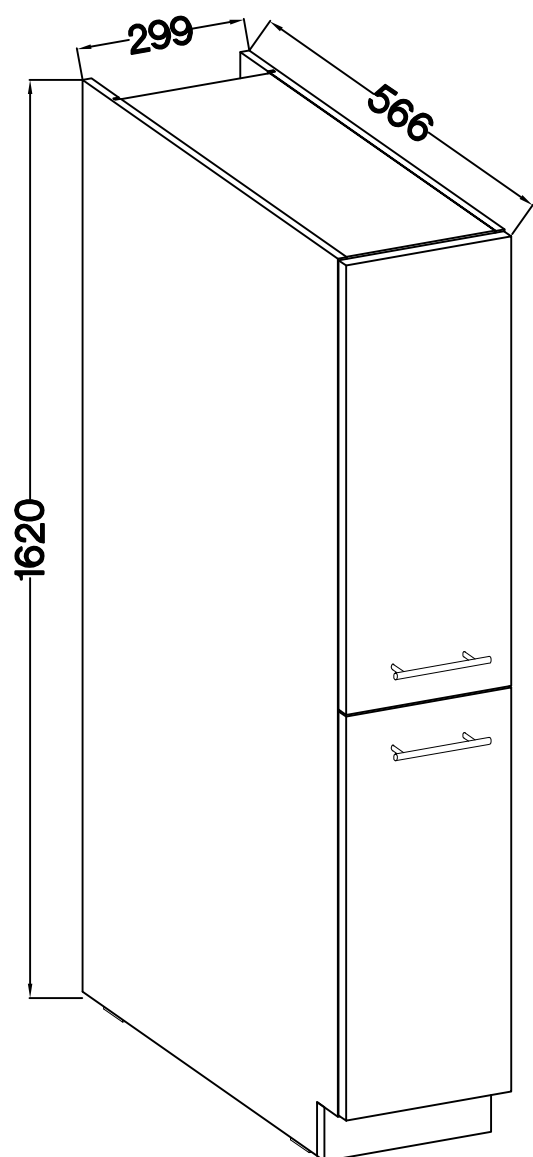
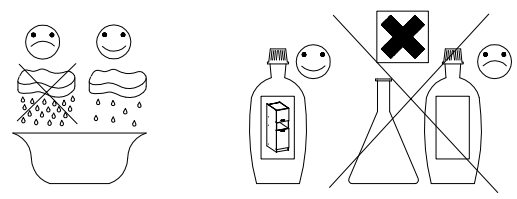




30 DK-162 CARGO FRONT

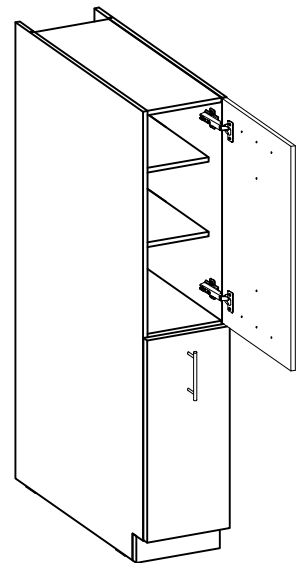
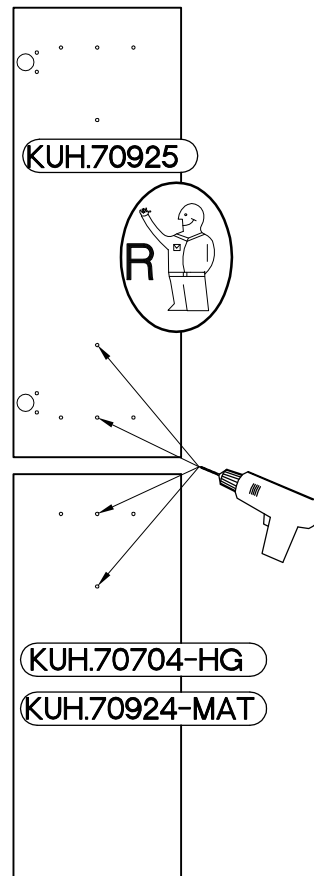
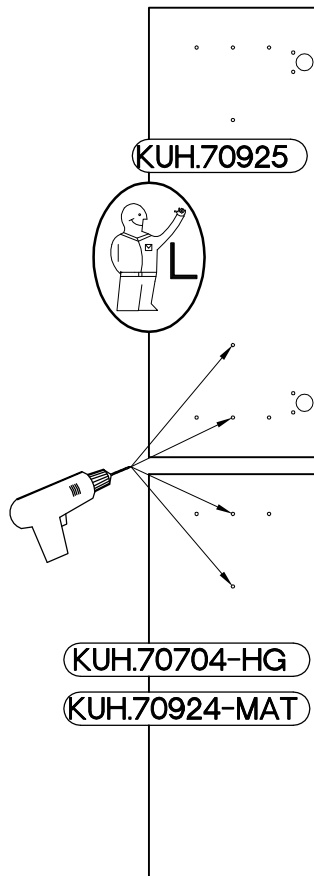
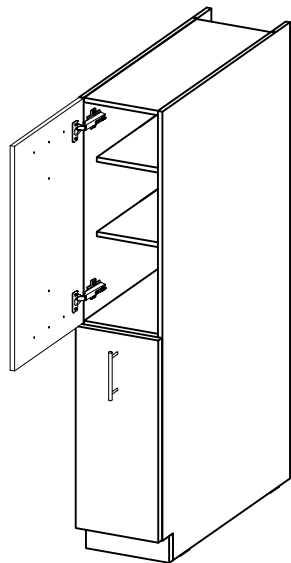
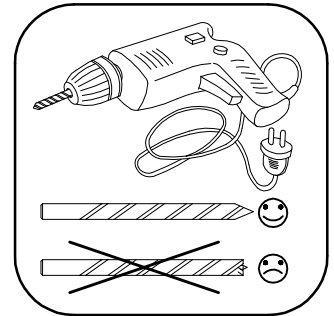
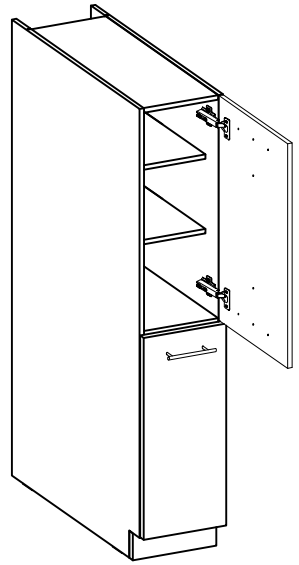
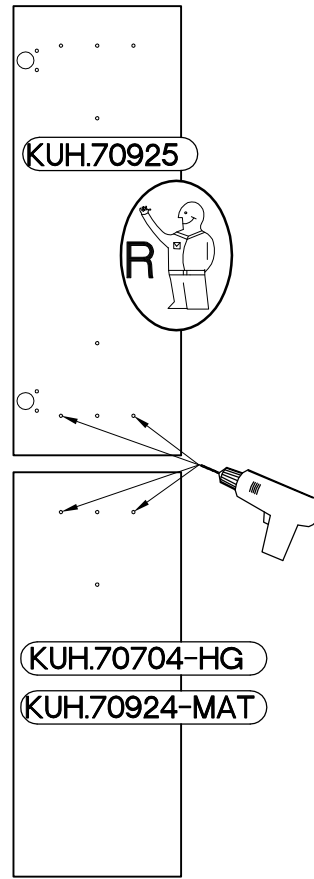
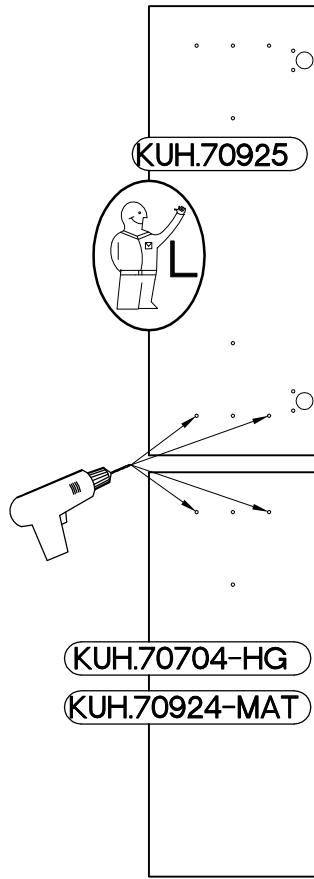
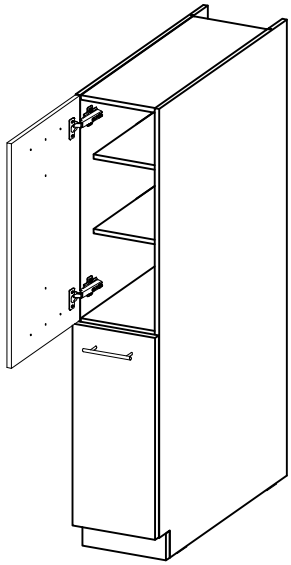


M4x22mm	L=128mm
	
U	S
4	2

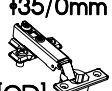

ISM-KUH-01635

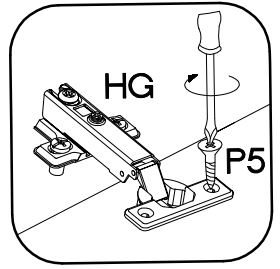
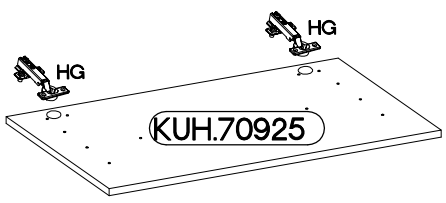
LEFT

RIGHT





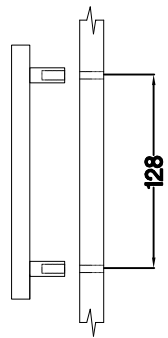
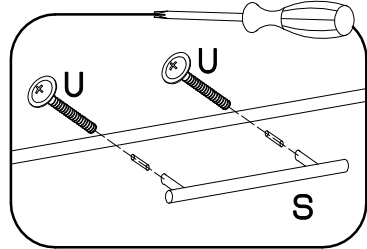
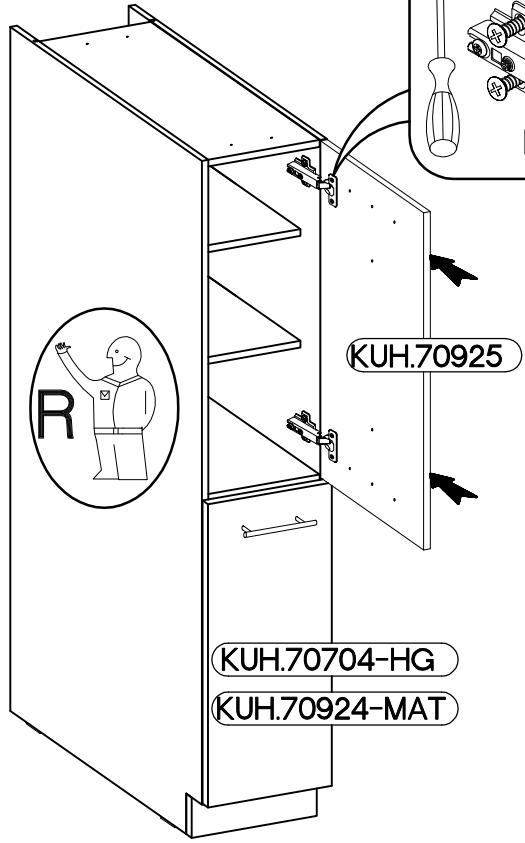
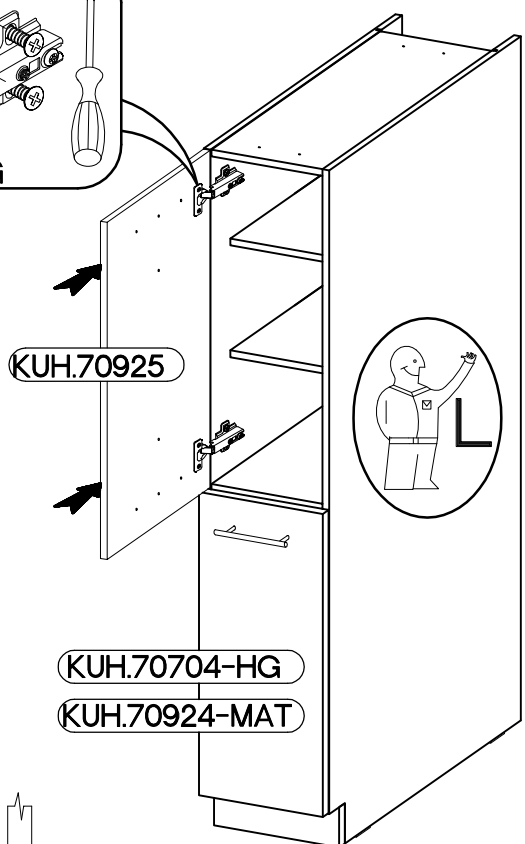
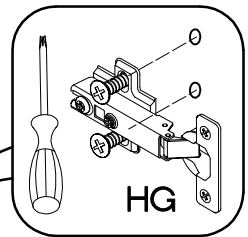
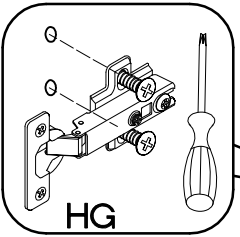
2

$\pm 35/0\text{mm}$  [CD] HG 2	$\pm 3.5 \times 13\text{mm}$  P5 4
-------------------------------------------------------------------------------------------------------------------------	-----------------------------------------------------------------------------------------------------------------------------



3

$M4 \times 22\text{mm}$  U 2	$L=128\text{mm}$  S 1
------------------------------------------------------------------------------------------------------------------------	-----------------------------------------------------------------------------------------------------------------



VARIANT HIGH GLOSS

