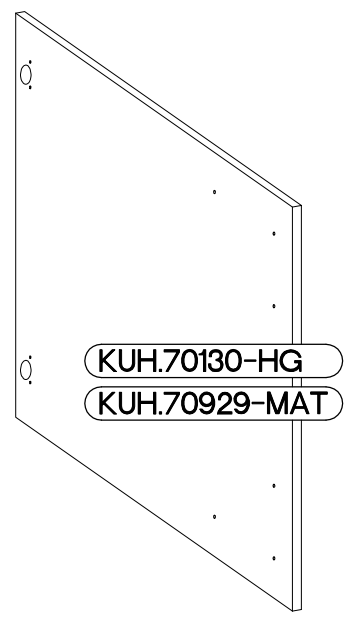
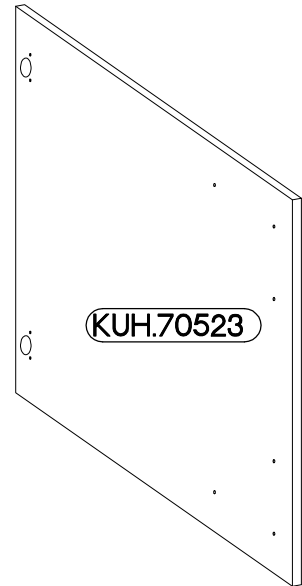
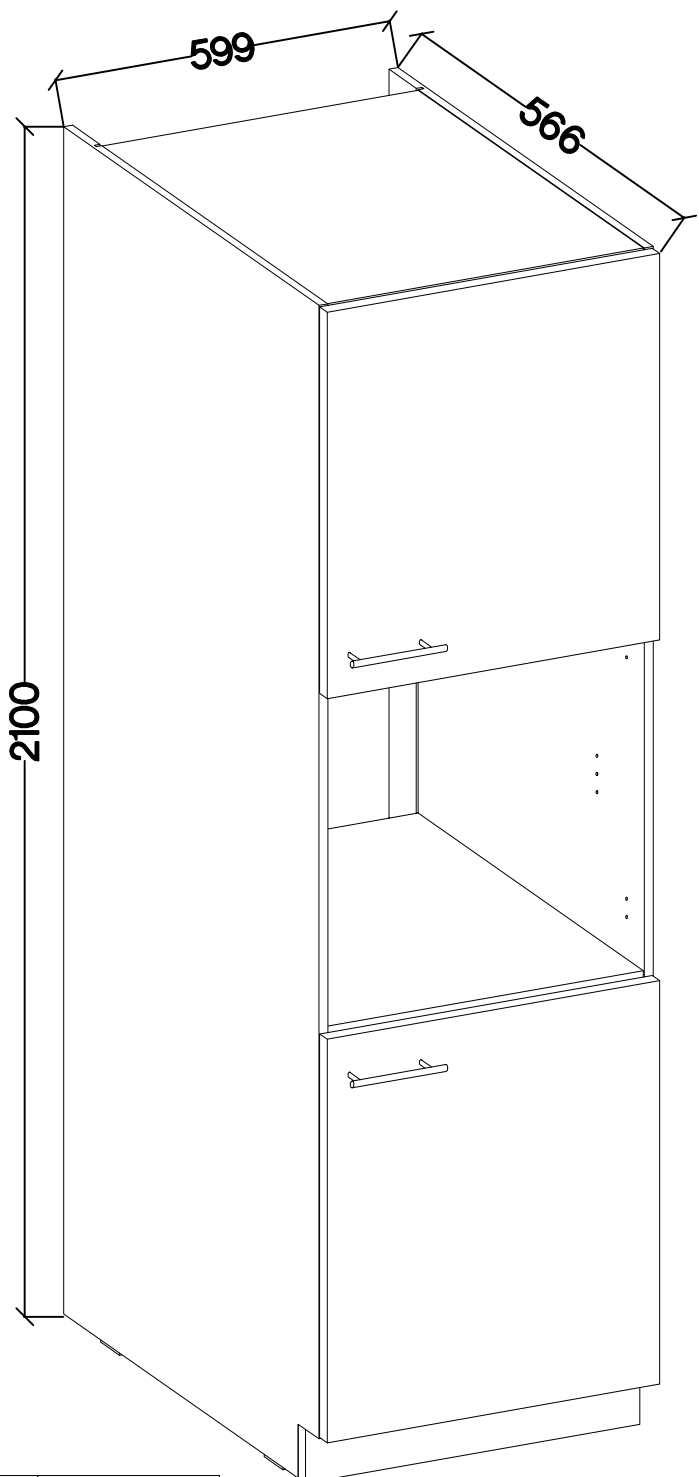
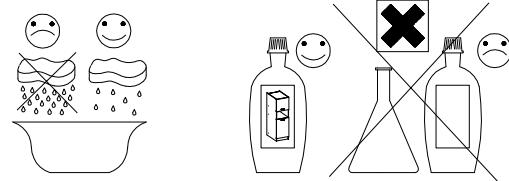


60 DP-2100 2F  
FRONT



M4x22mm	L=128mm
U	S
4	2

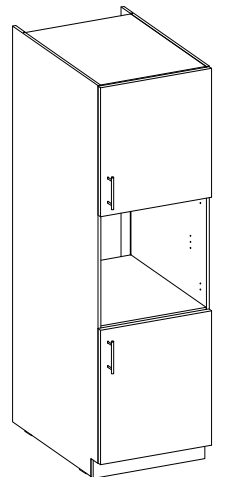
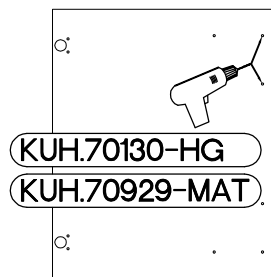
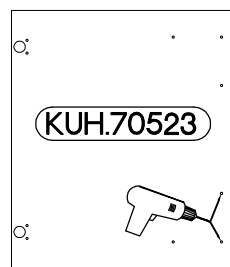
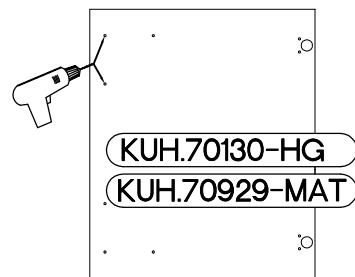
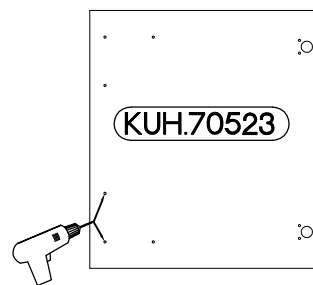
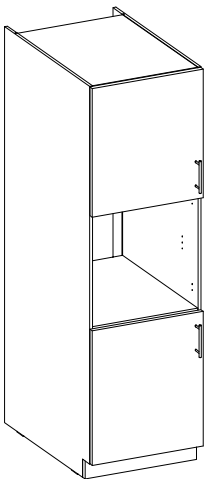
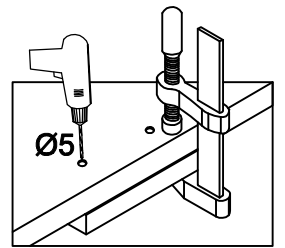
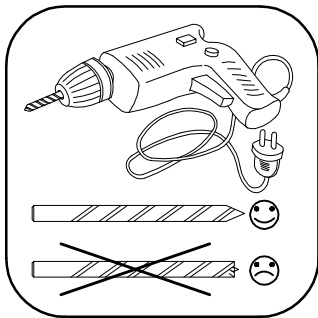
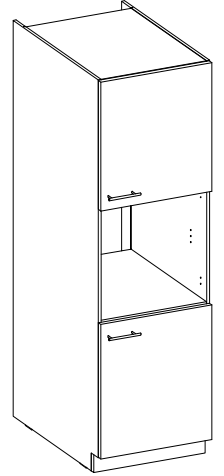
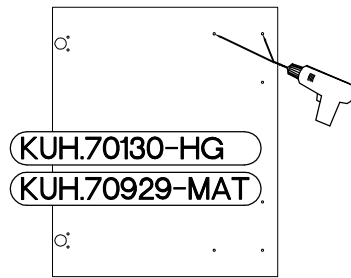
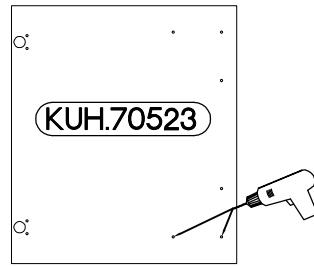
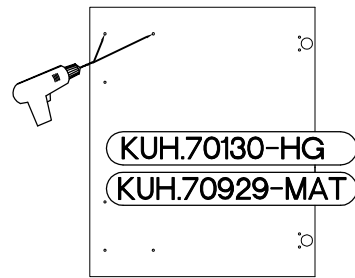
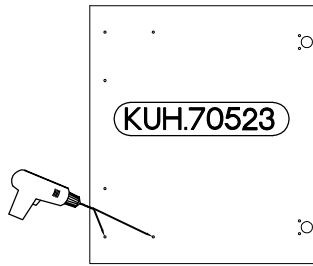
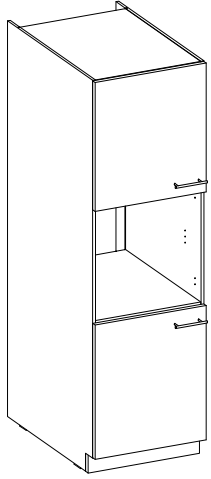
ISM-KUH-01650





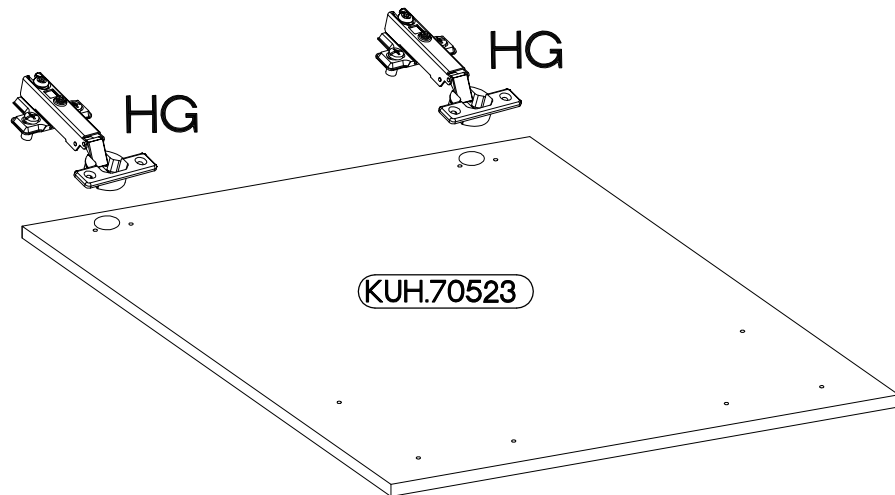
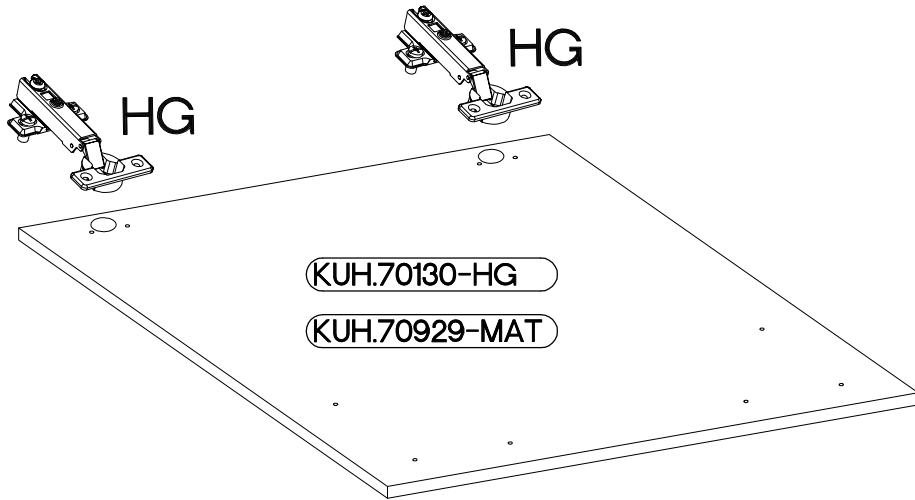
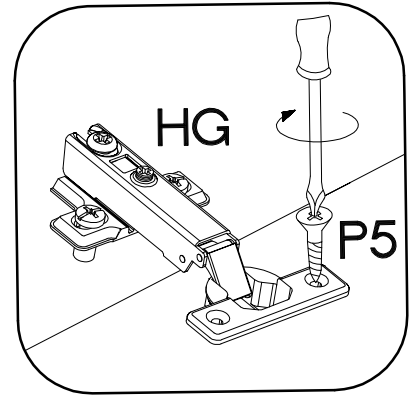
LEFT





RIGHT

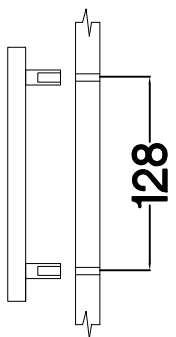
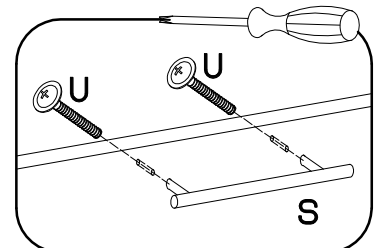
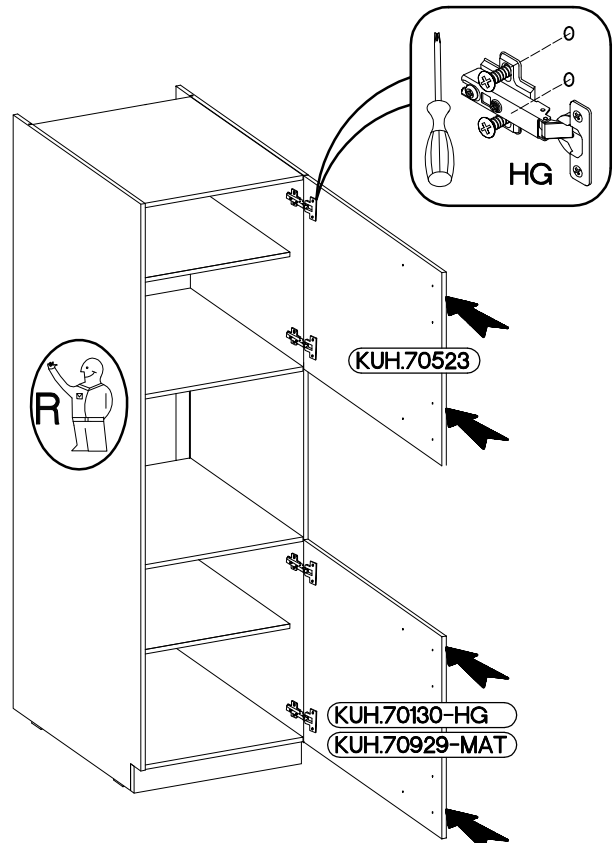
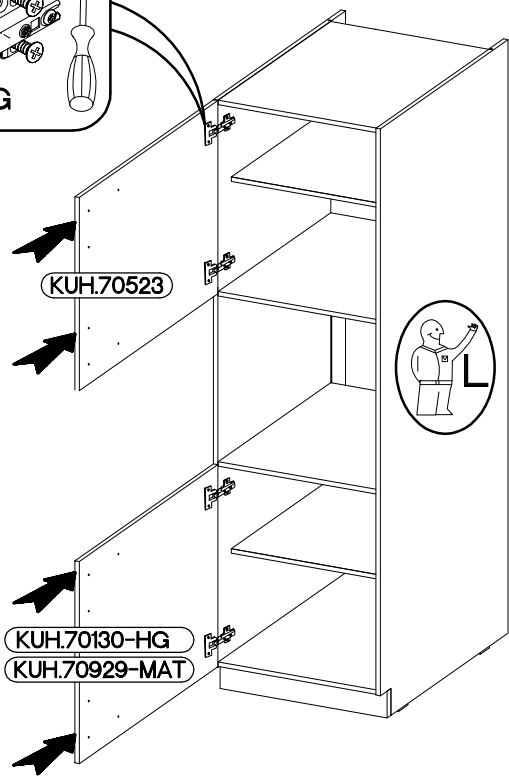
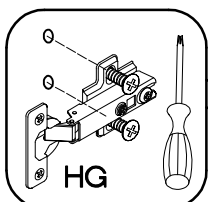


$\pm 35/0\text{mm}$  [CD] HG 4	$\pm 3.5 \times 13\text{mm}$  P5 8
---	---



3

M4x22mm	L=128mm
	
U	S
4	2



VARIANT HIGH GLOSS

