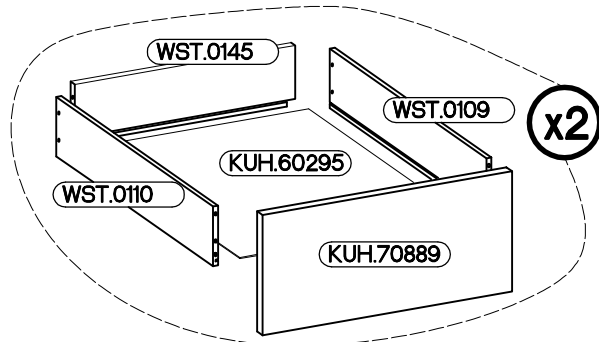
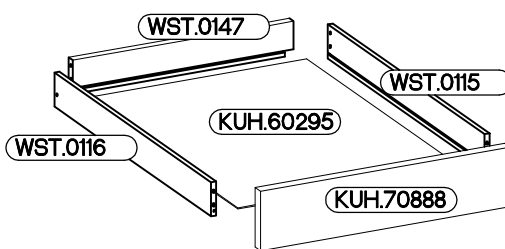
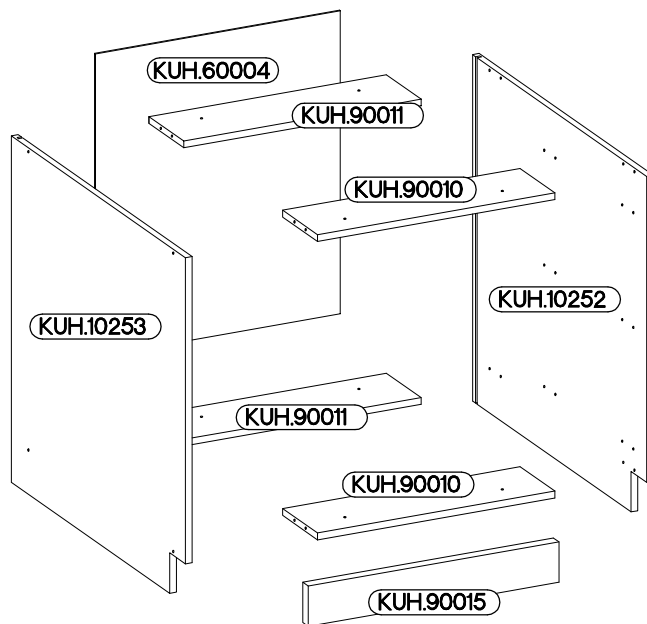
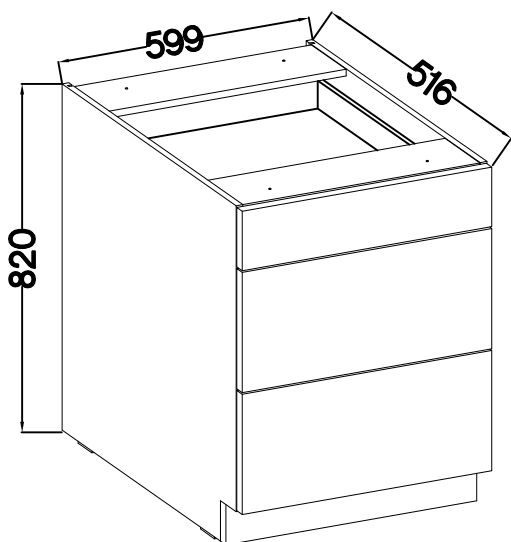
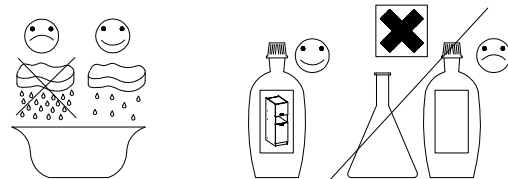


60 D 3S BB - QUADRO



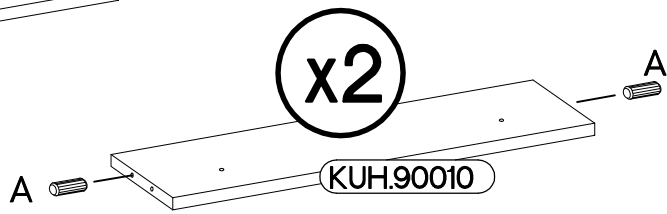
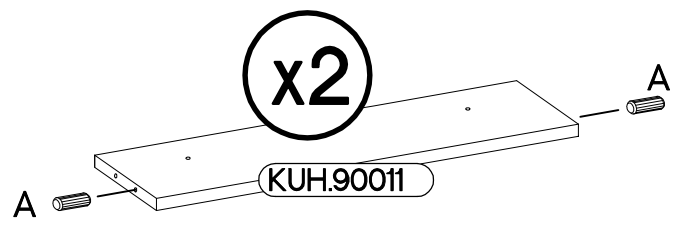
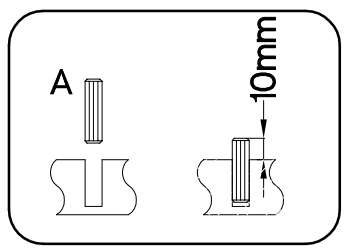
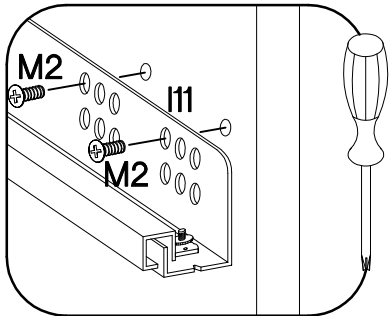
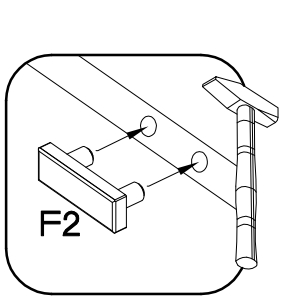
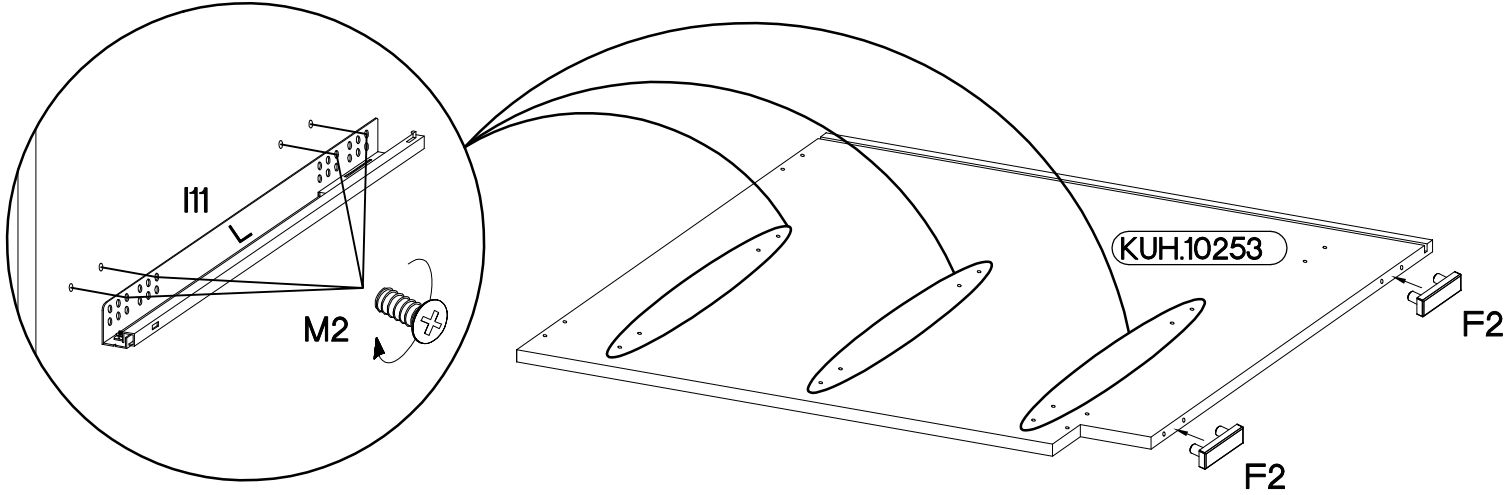
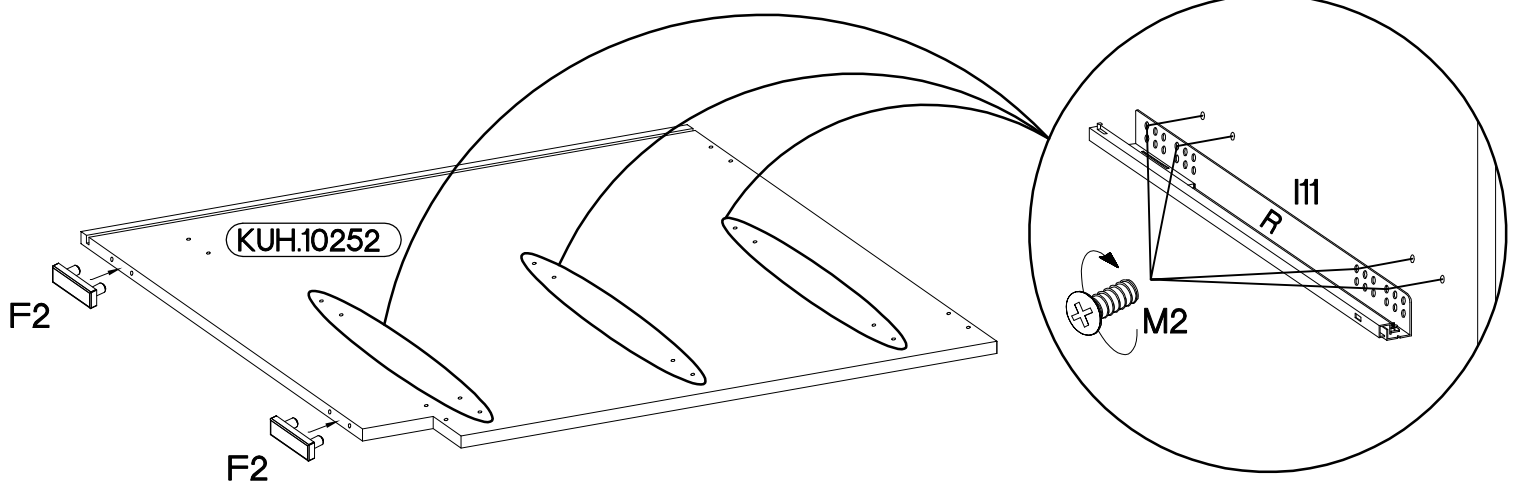
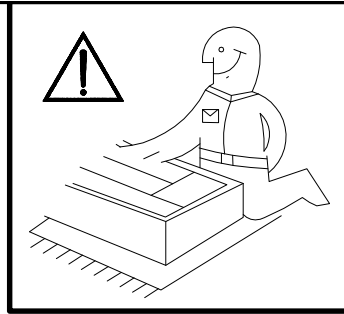
A	B	B2	C5
20	8	10	6

D2	E1	E9	I1	F2
L=20mm			[CD] L=450mm	6.5x48x16
6	8	2	3	4

L	M2	O	O1	P4	P7	R3
	±6.3x13mm			±4.0x45mm	±3.0x20mm	±4.0x35mm
6	24	1	1	2	16	4

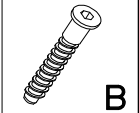
1

6.5x48x16 F2 4	±8x30mm A 8	L L=450mm 3	[CD] I11 R 111	+6.3x13mm M2 24
----------------------	-------------------	-------------------	----------------------	-----------------------



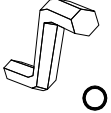
2

6,4 x 50mm



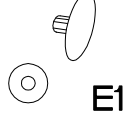
B

4



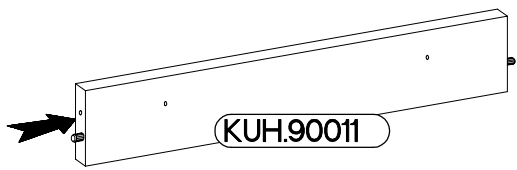
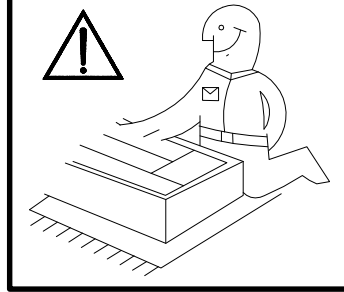
O

1

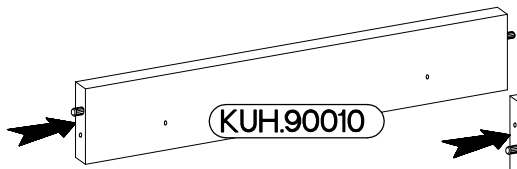


E1

4



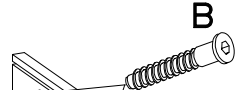
KUH.90011



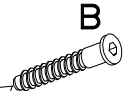
KUH.90010



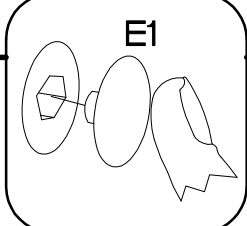
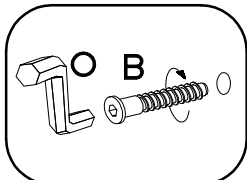
KUH.90011



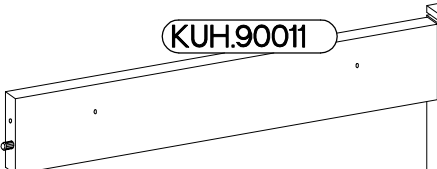
B



B



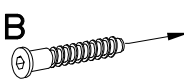
3



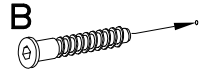
KUH.90011



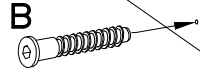
B



B



B



B

KUH.10252

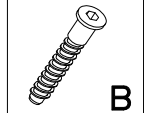
KUH.90010

KUH.10253

KUH.90011

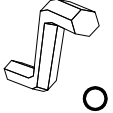
KUH.90010

6,4 x 50mm



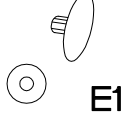
B

4



O

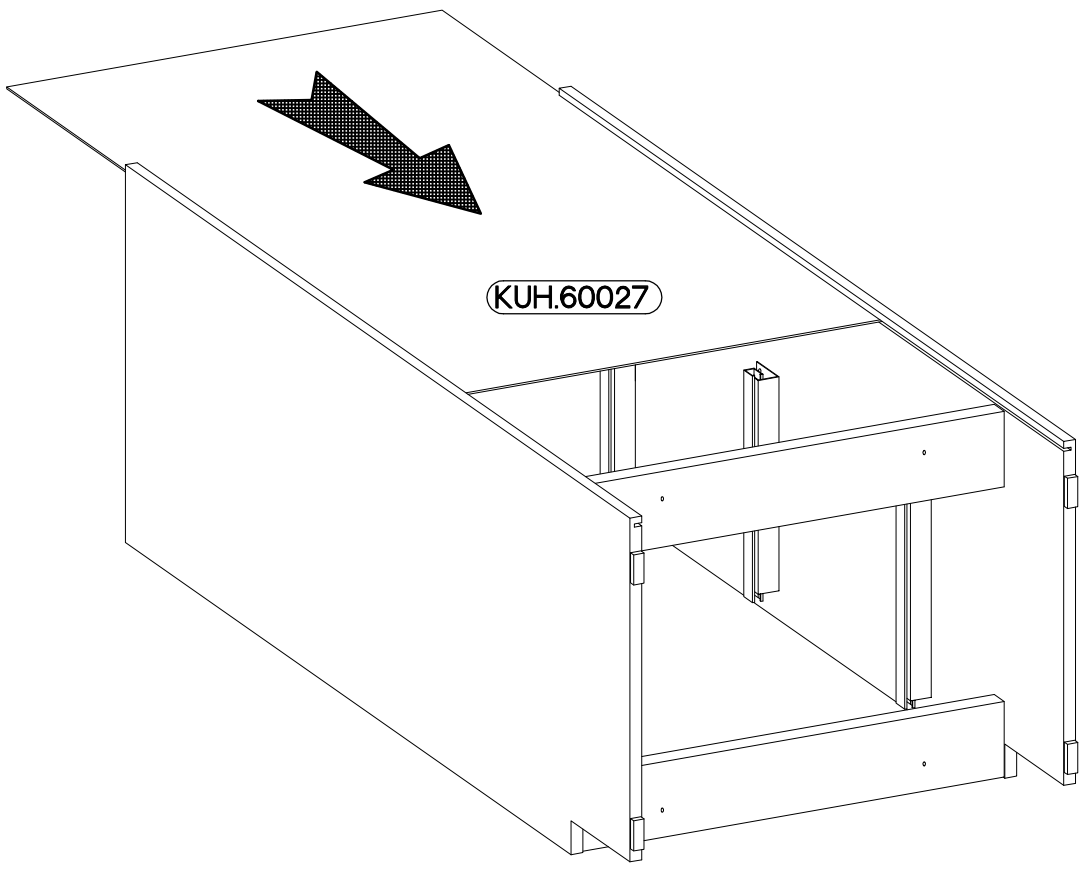
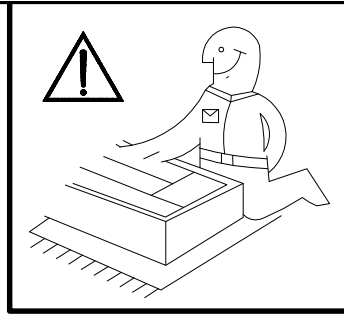
1



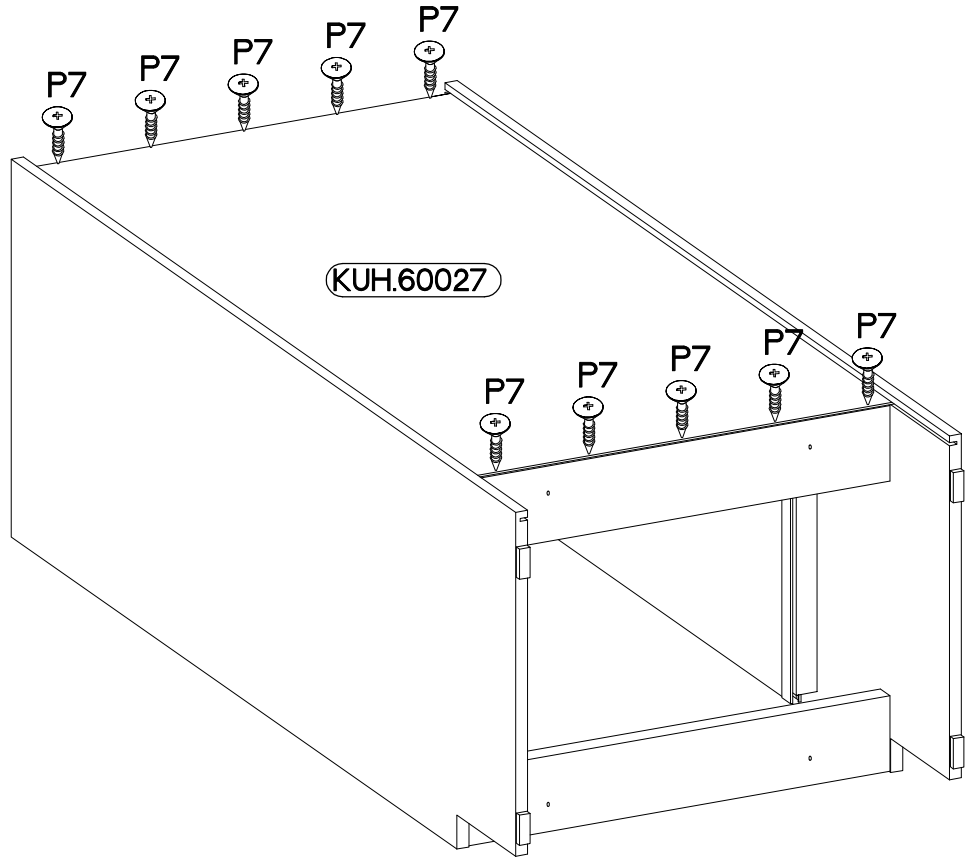
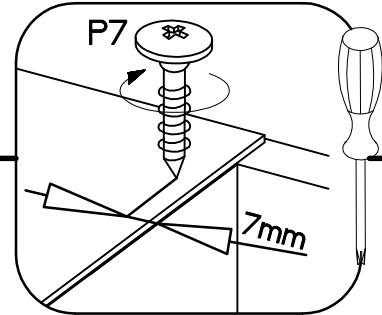
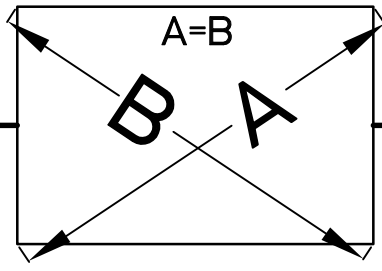
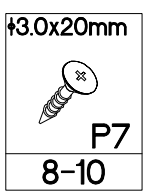
E1

4

4

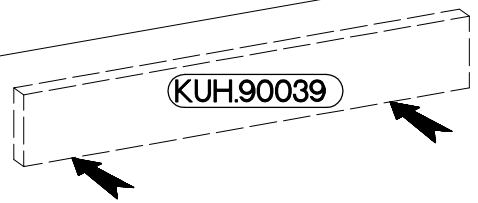
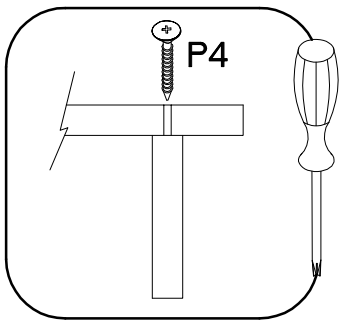
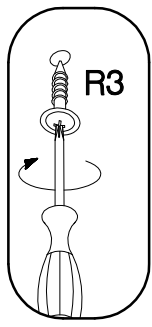
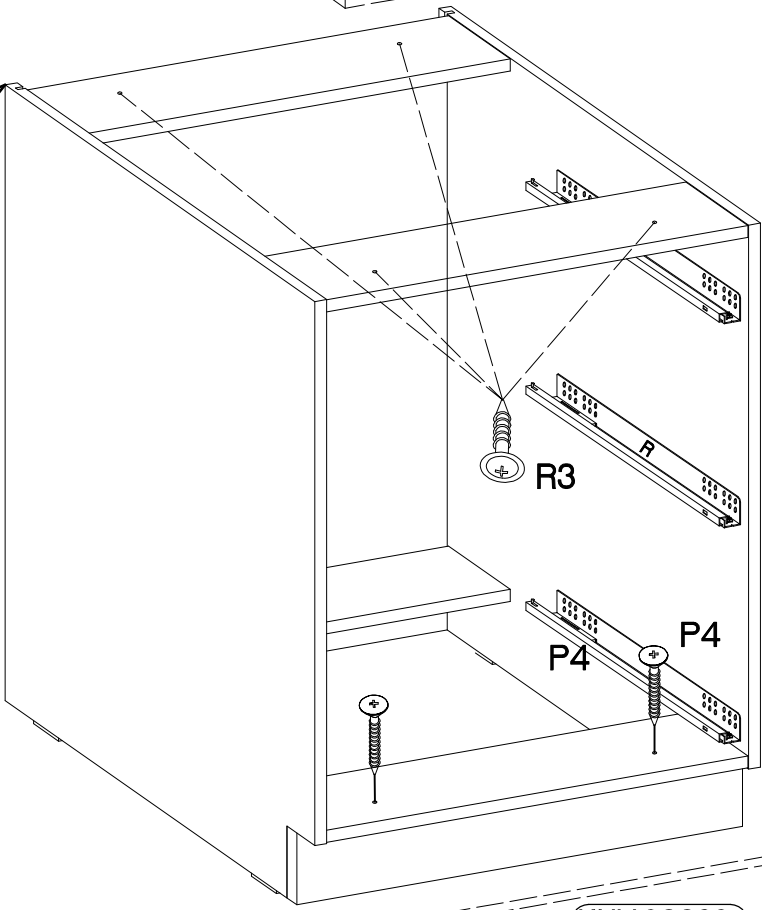
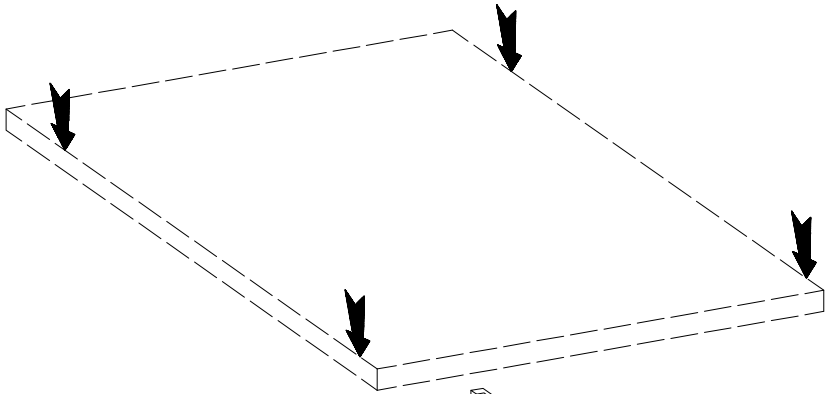
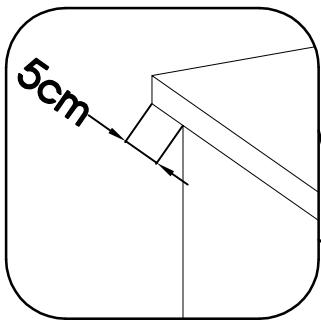


5



6

4.0x45mm P4	E9	4.0x35mm R3
2	2	4



7

