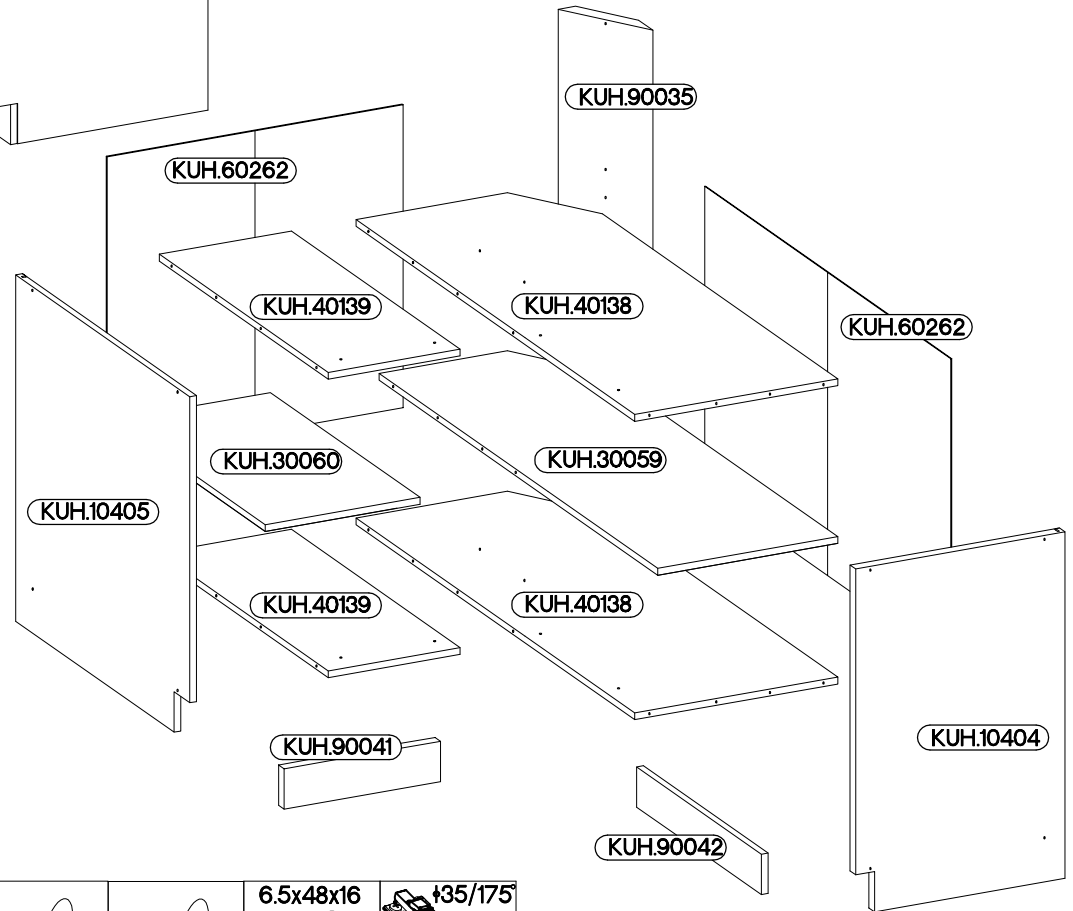
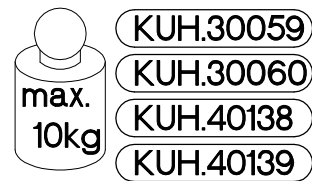
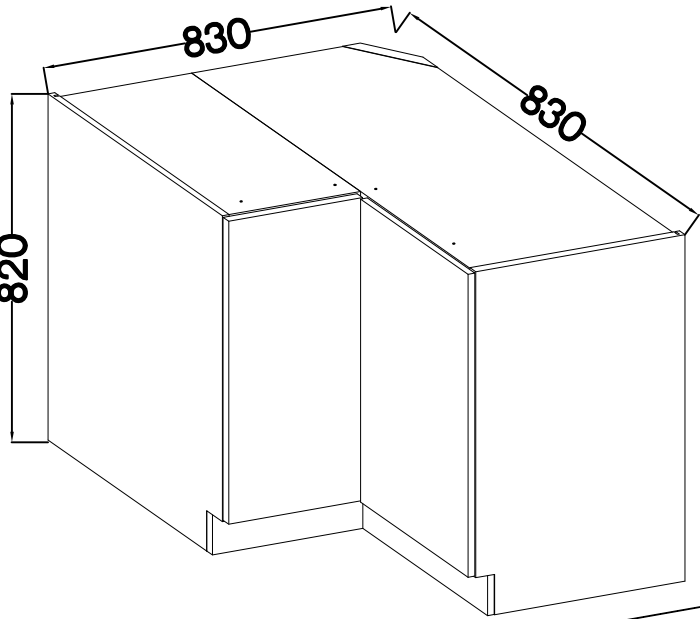
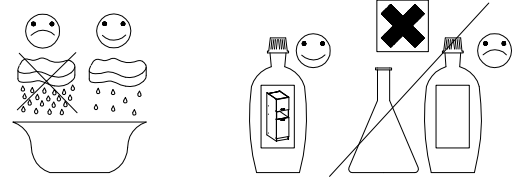


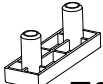
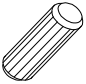
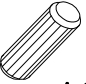

89x89 ND 2F BB

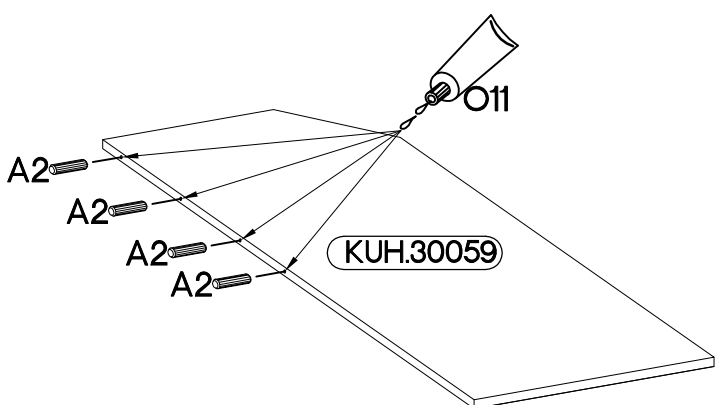
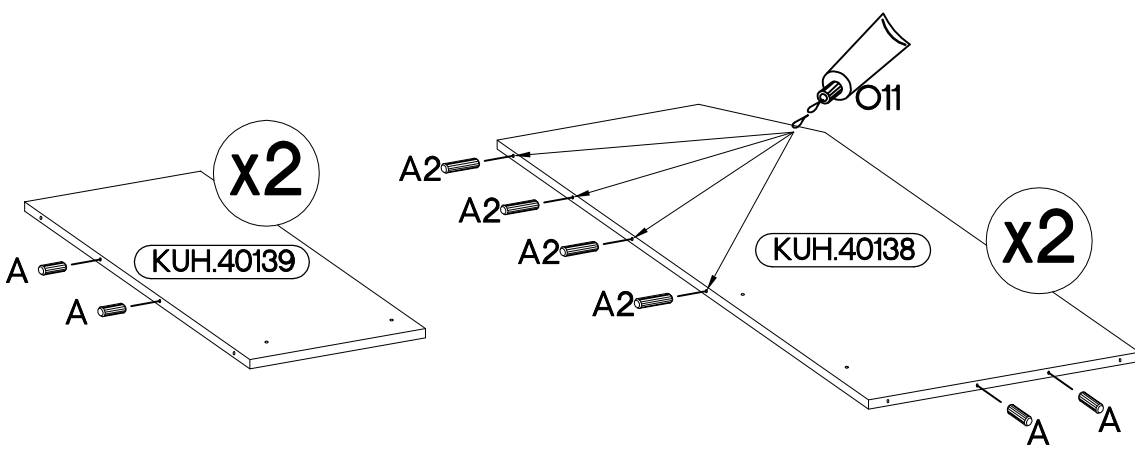
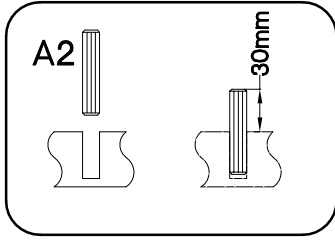
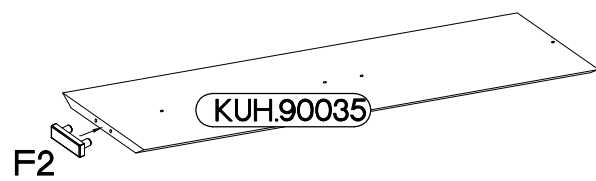
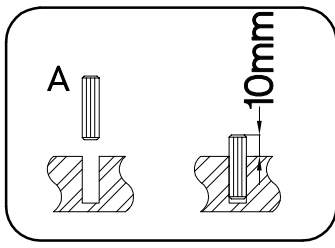
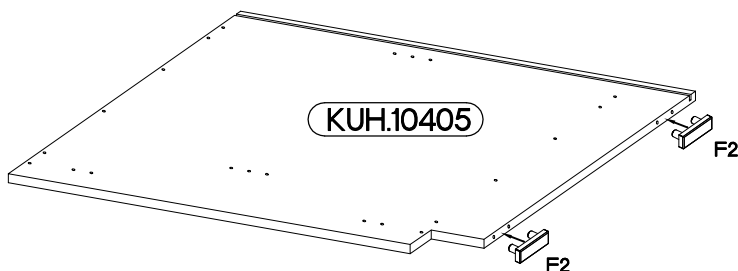
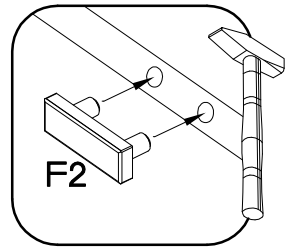
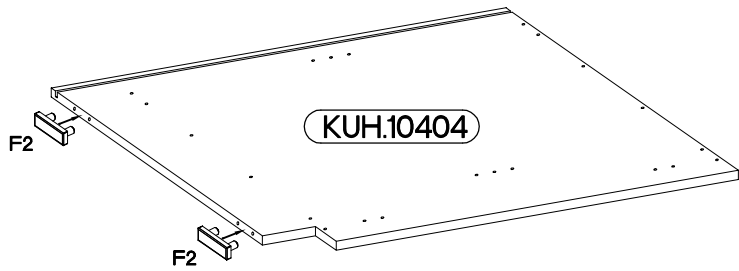
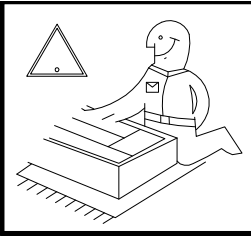


 A	 A2	 B	 E1	 E9	 F2	 HG11
8	12	10	8	4	5	4
+5/19mm		0,05	+3.5x13mm	+4.0x45mm	+3.0x20mm	+4.0x35mm
 J	 O	 O11	 P5	 P4	 P7	 R3
5	1	1	8	4	20-25	4


ISM-KUH-01632

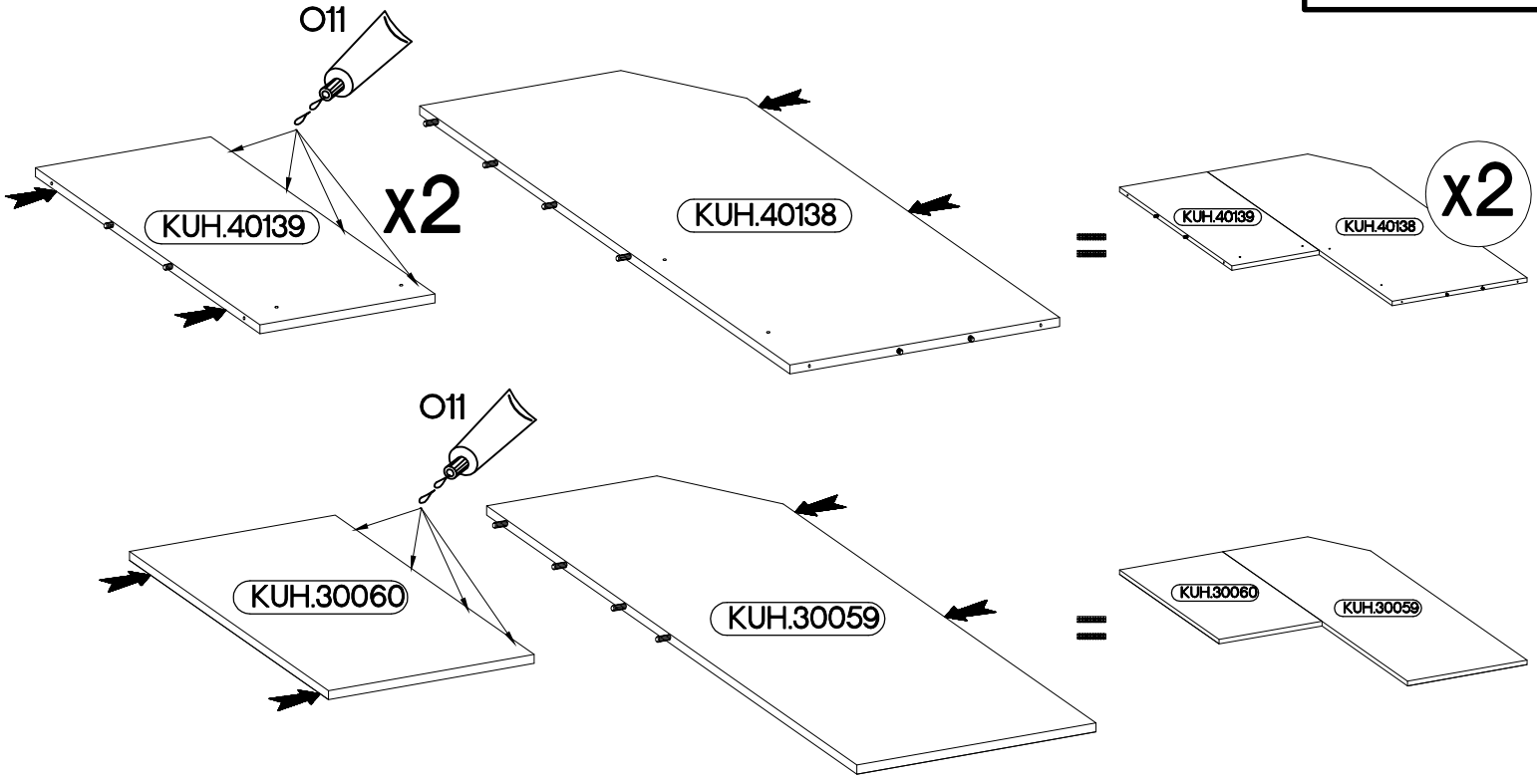
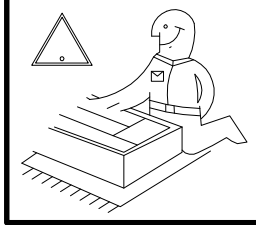
1

6.5x48x16  F2 5	†8x30mm  A 8	†8x60mm  A2 12	0,05  O11 1
--	---	---	--


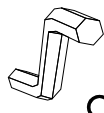
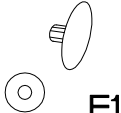


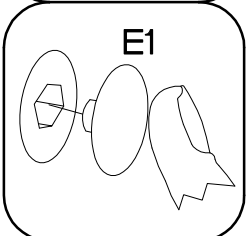
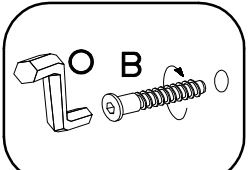
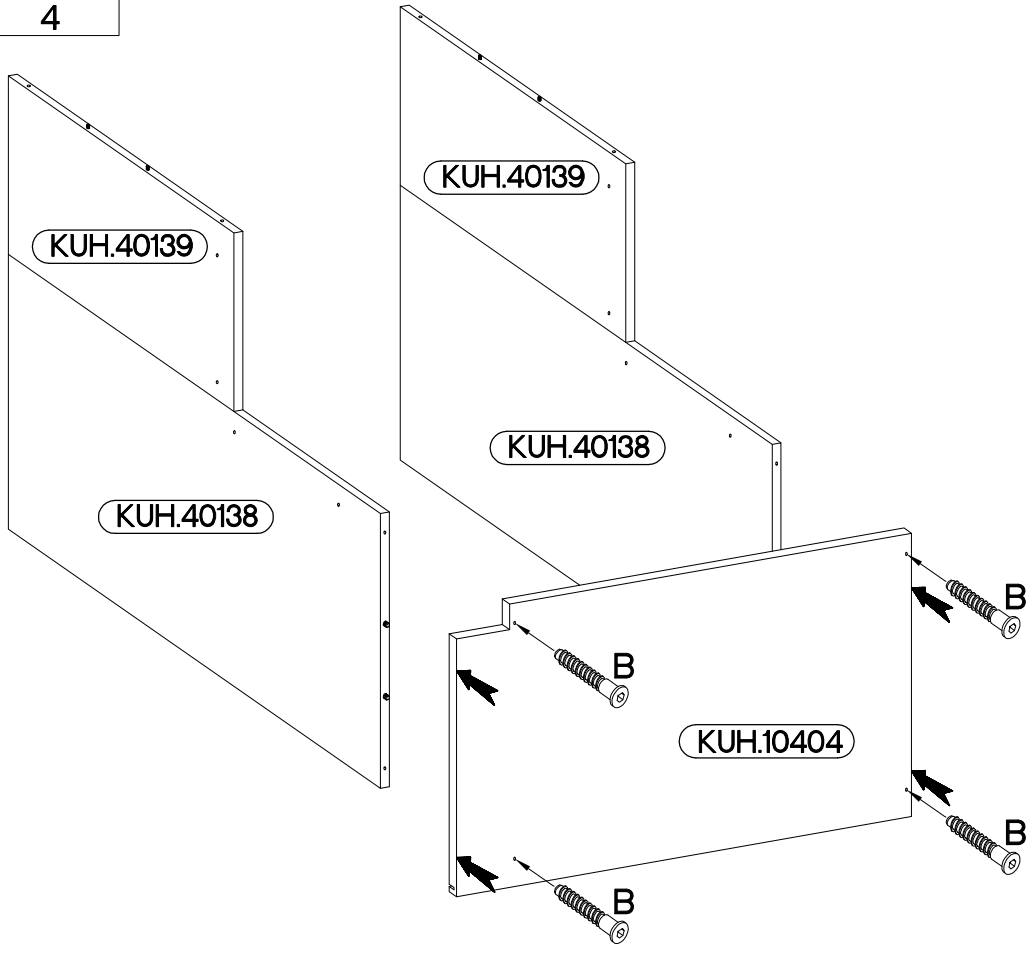
2

0,05

O11
1

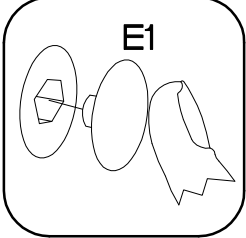
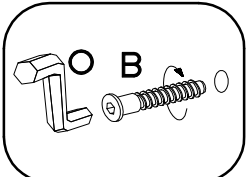
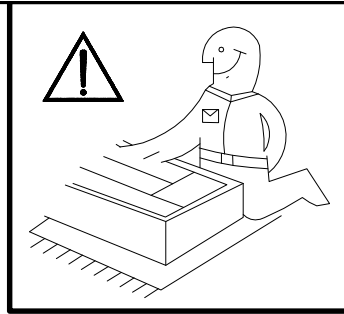
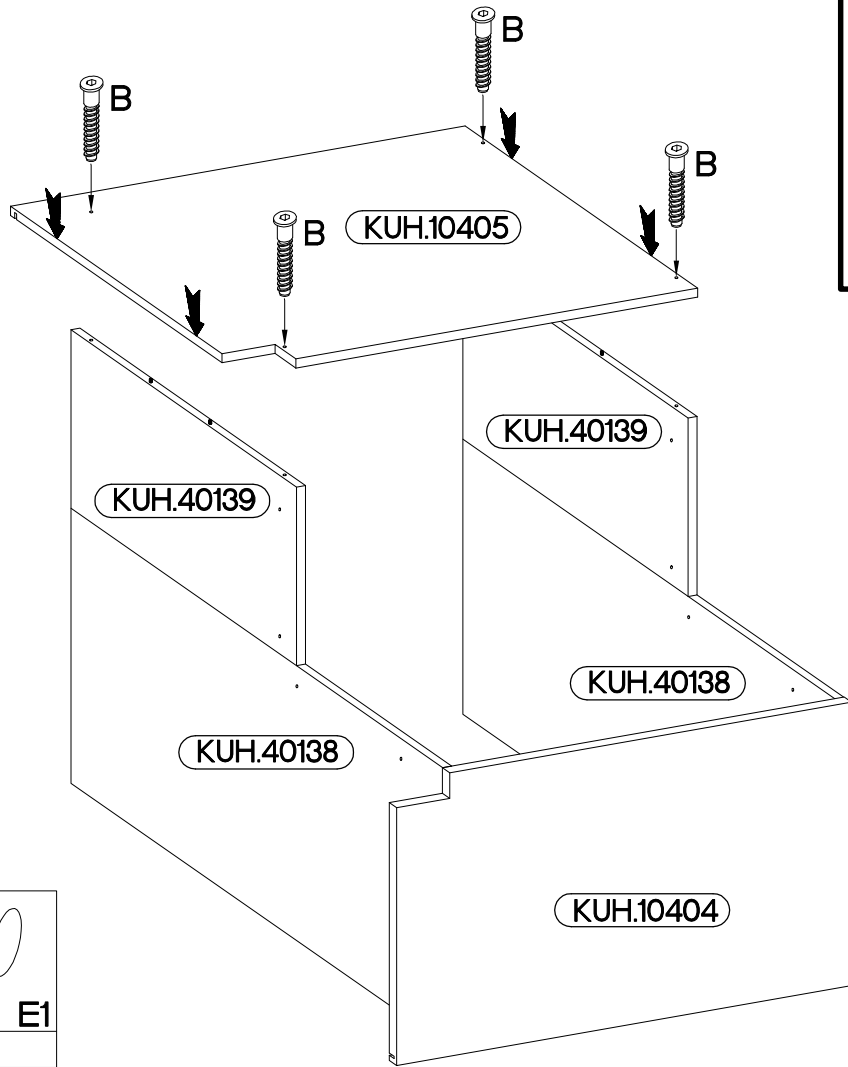


3

6,4 x 50mm			
	B	O	E1
4	1	4	

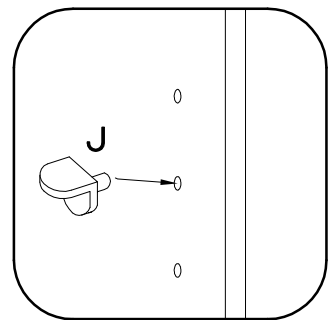
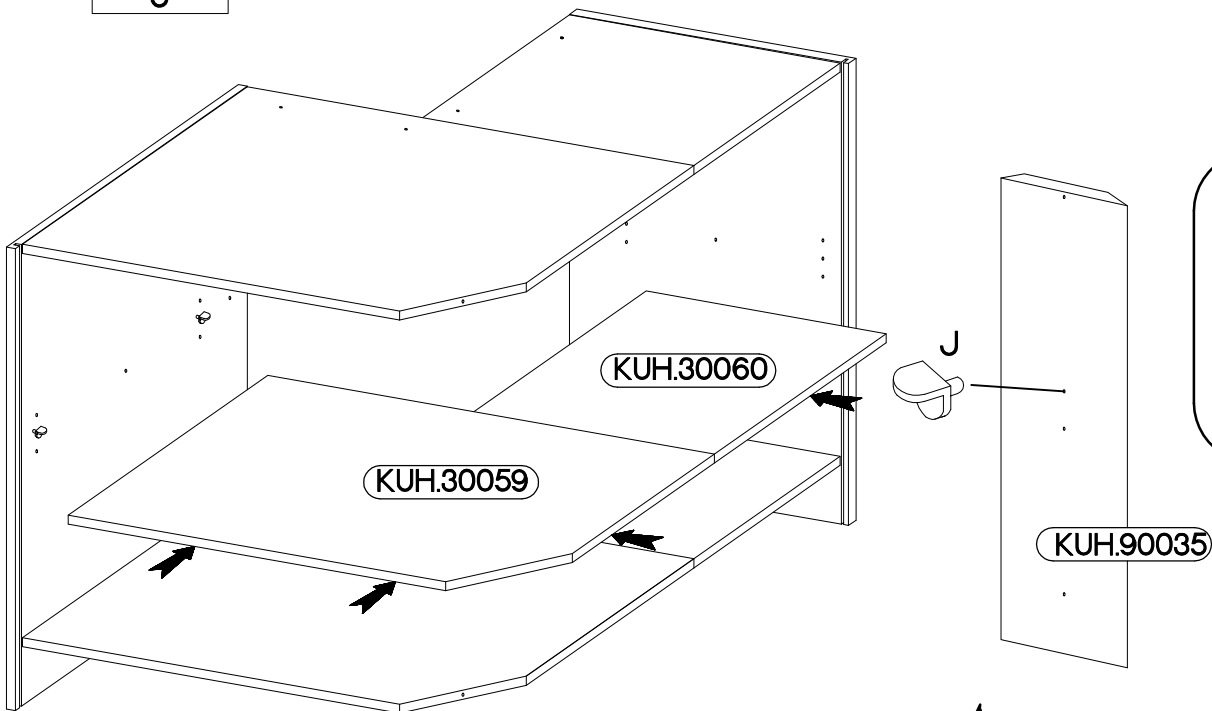
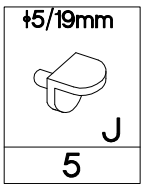


4



6,4 x 50mm			
	B	O	E1
	4	1	4

5



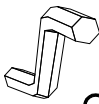
6

6,4 x 50mm



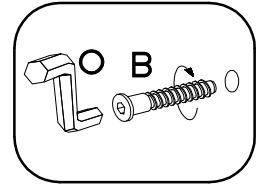
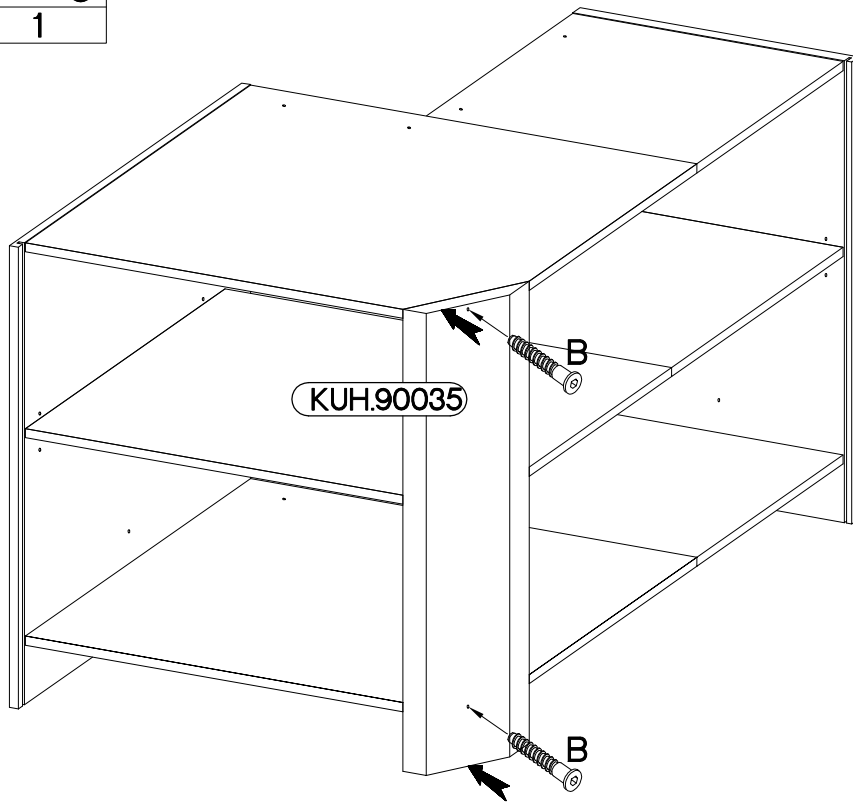
B

2



O

1



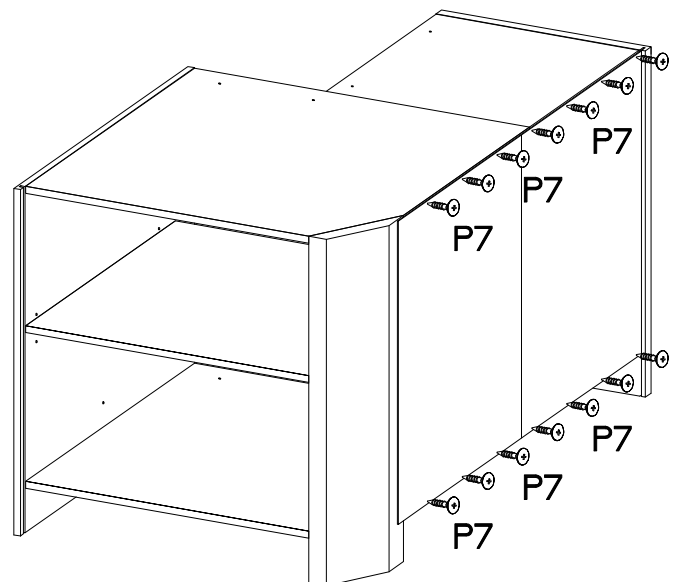
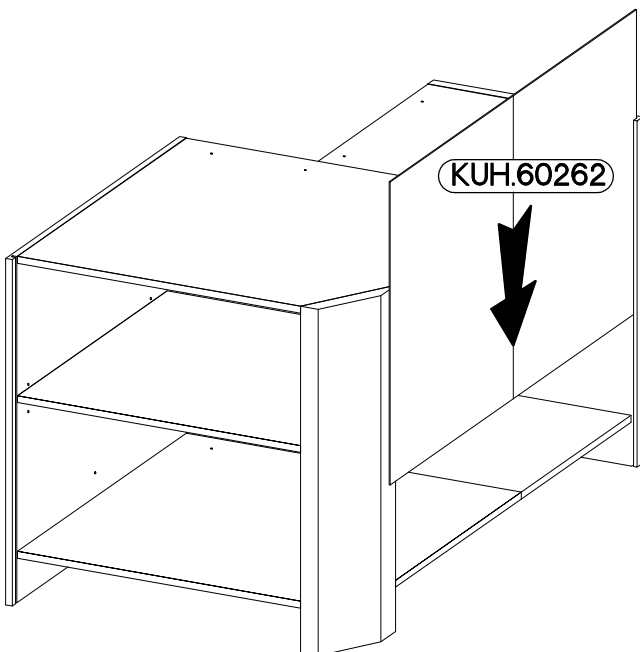
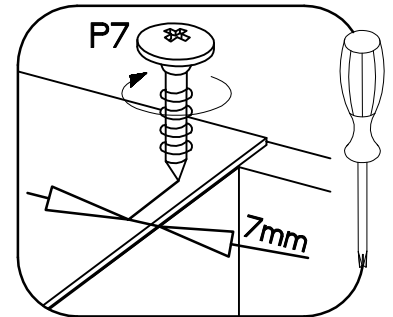
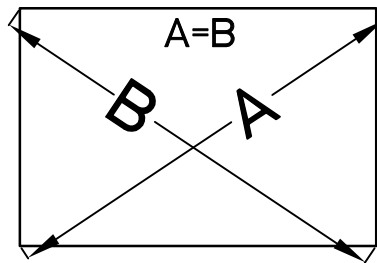
7

±3.0x20mm

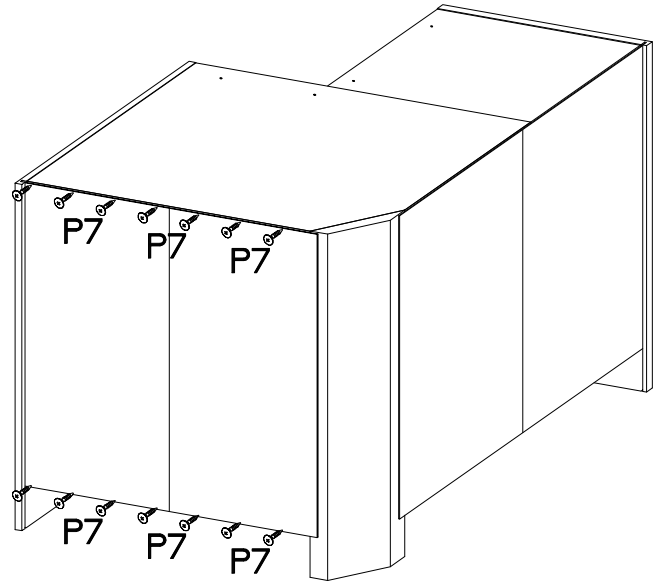
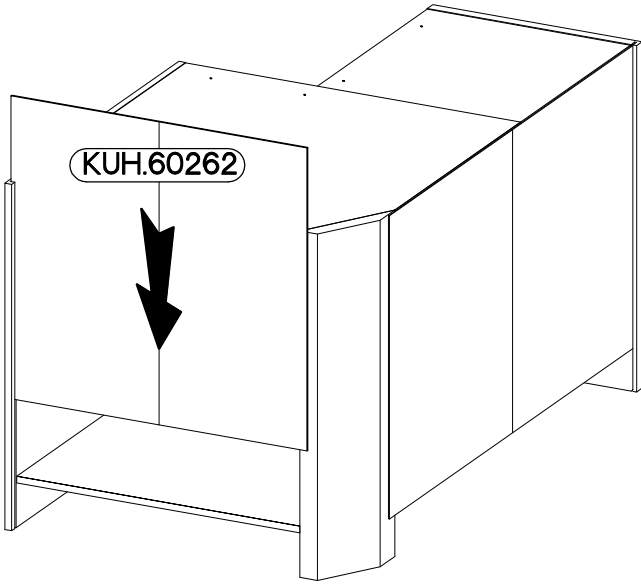
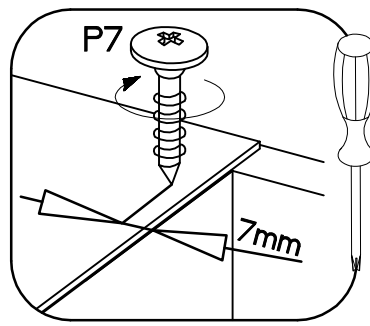
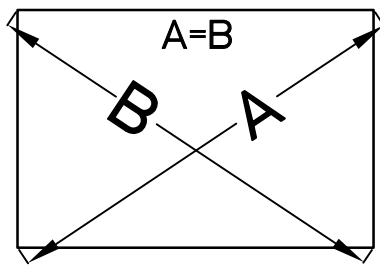
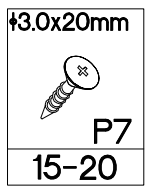


P7

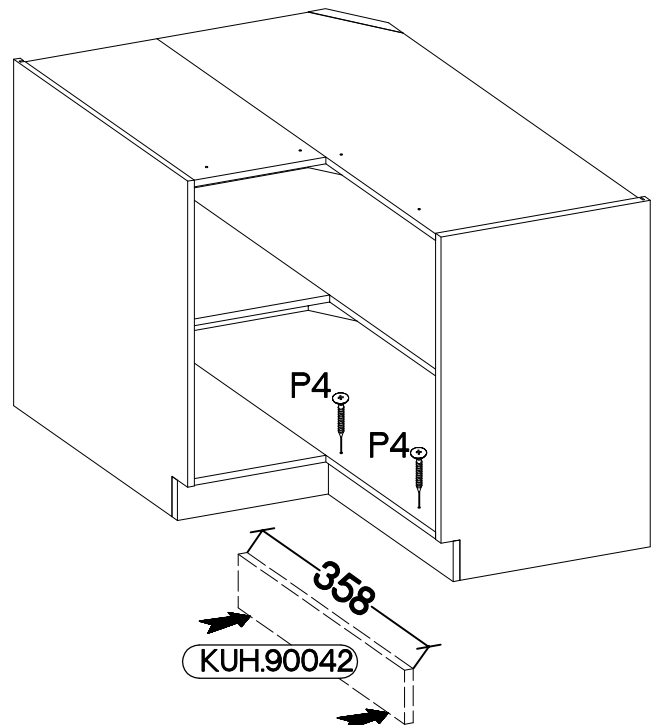
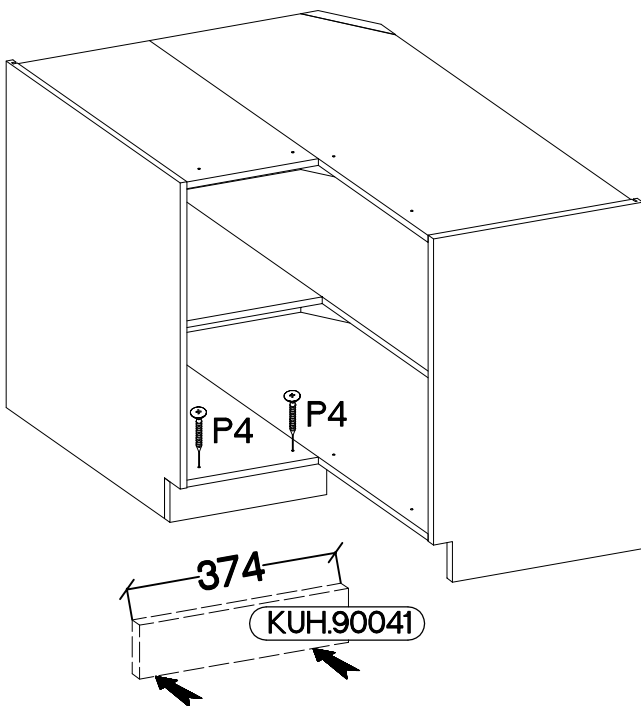
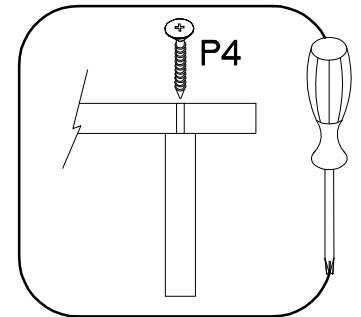
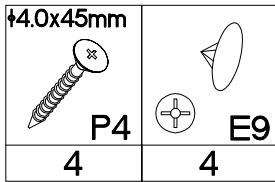
15-20



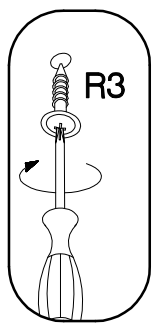
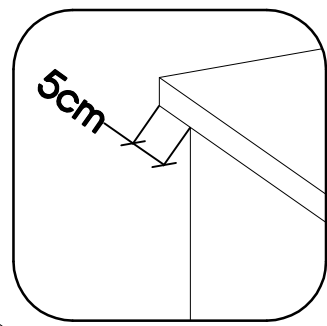
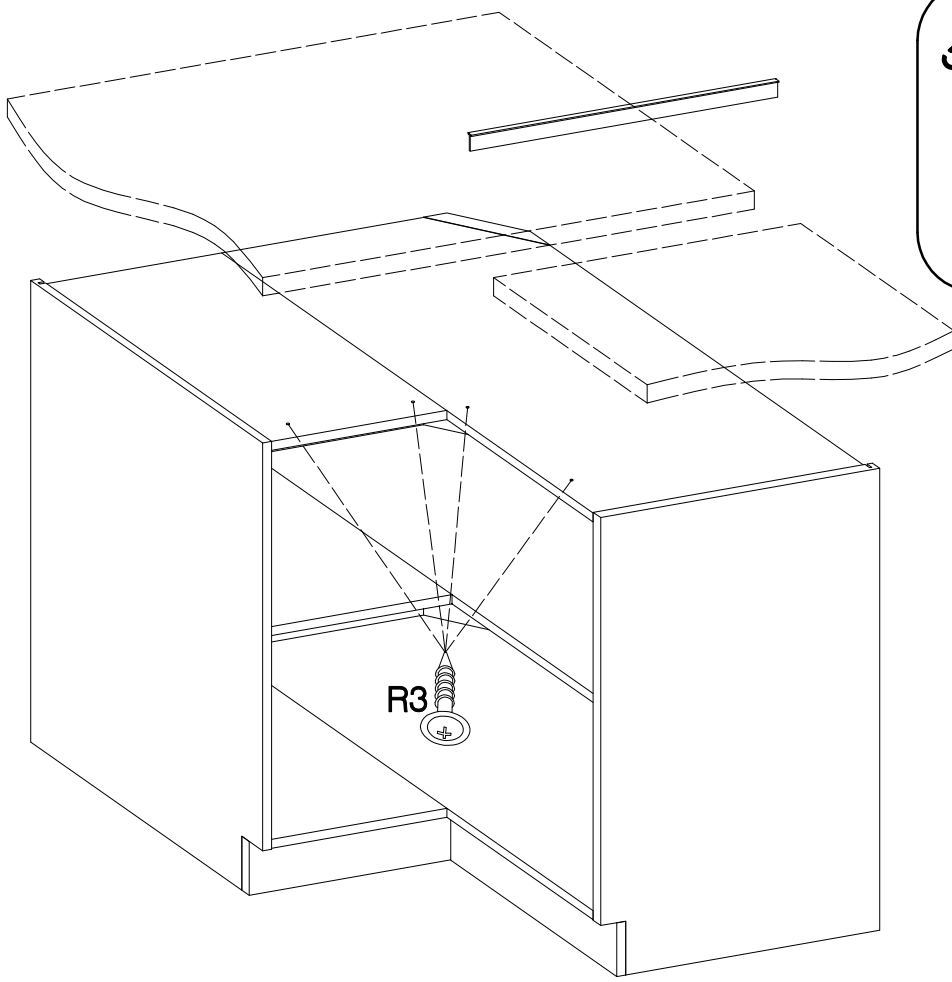
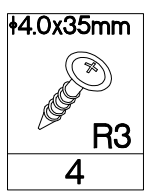
8



9



10



R3

11

FRONT

