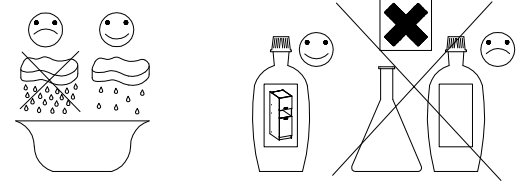
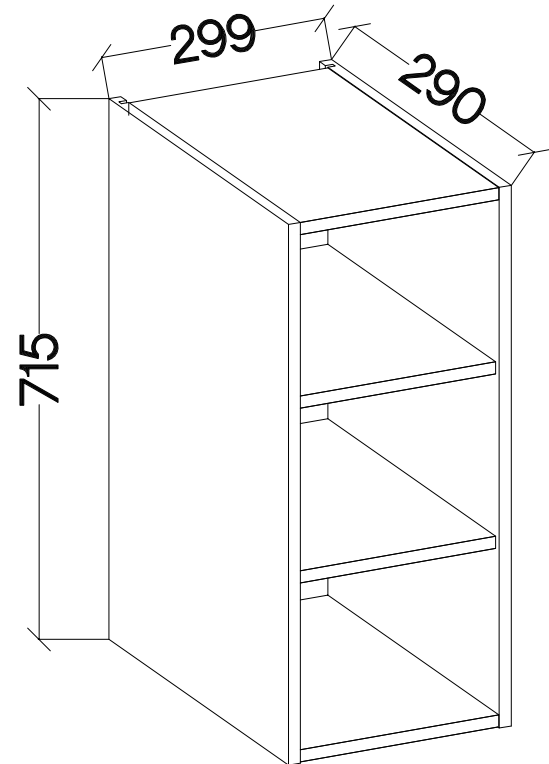
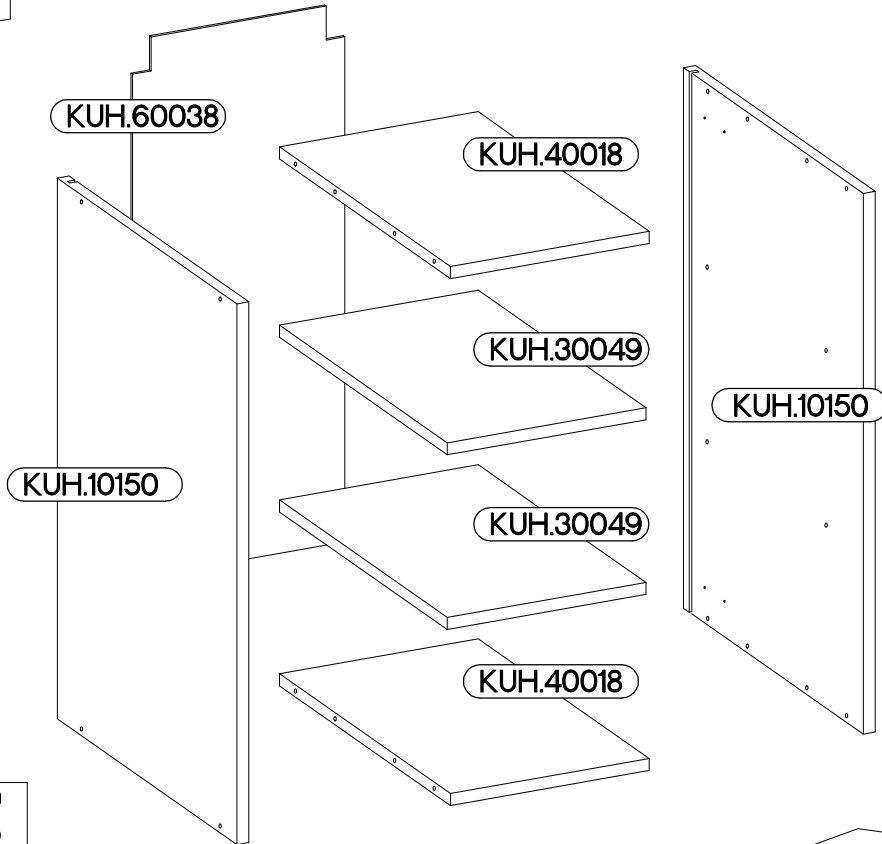
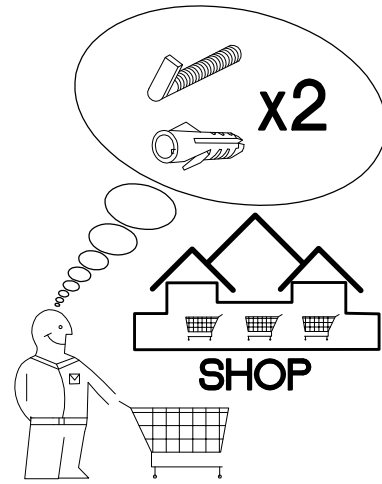
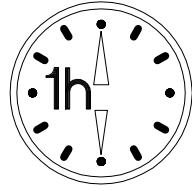


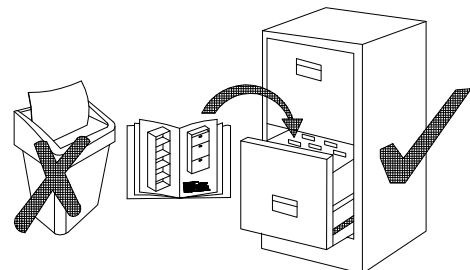
30 G-72 OTW



KUH.30049
KUH.40018

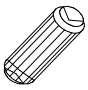

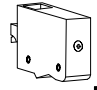


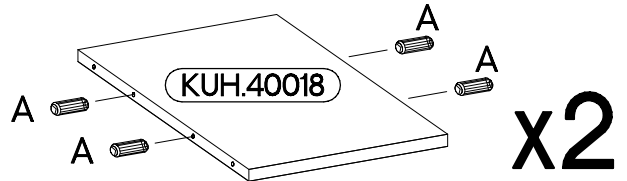
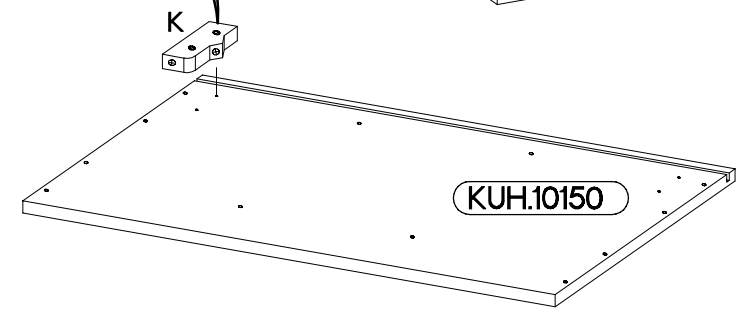
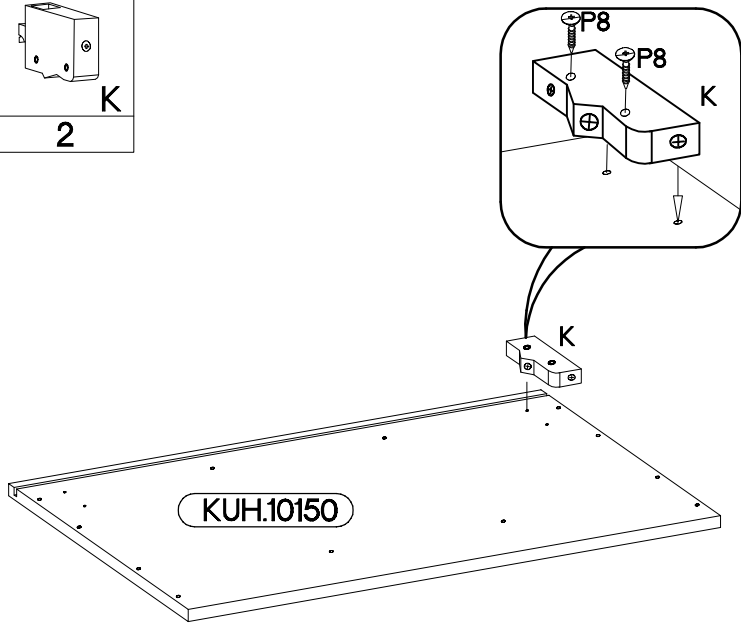
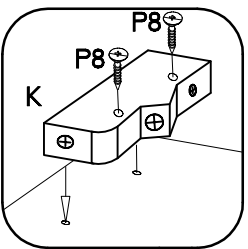
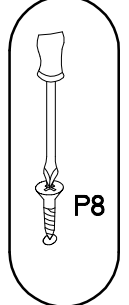
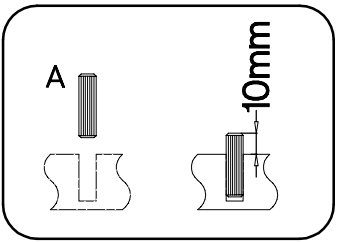
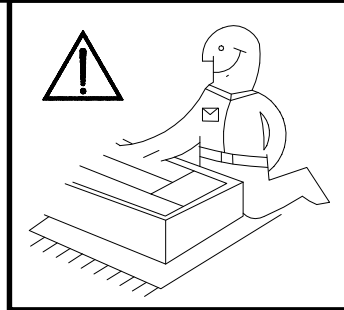
 †8x30mm A 8	 6,4 x 50mm B 8	 E1 8	 †5/16mm J3 8
 K 2	 O 1	 †3.0x20mm P7 6	 †4.0x30mm P8 4




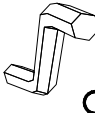

ISM-KUH-01000

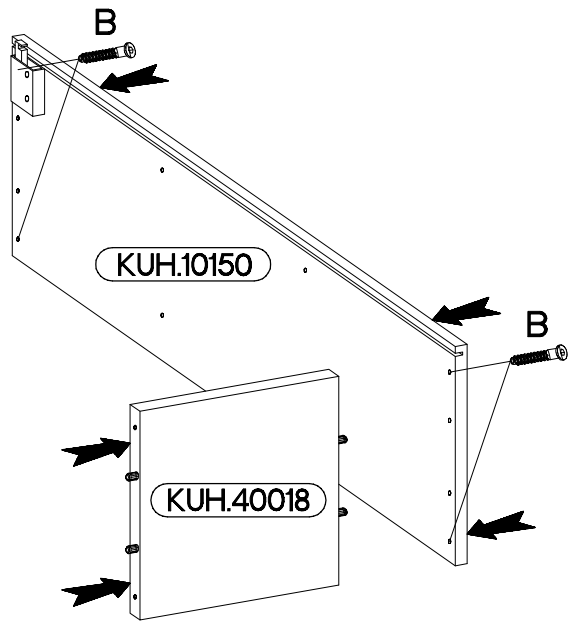
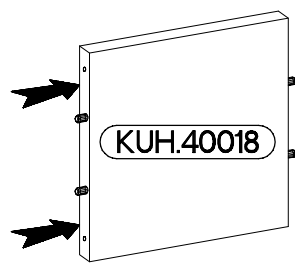
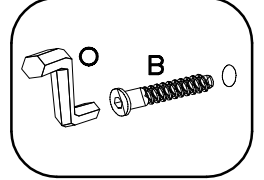
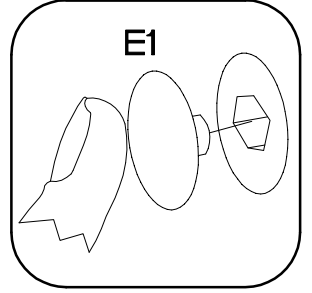
1

†8x30mm  A	†4.0x30mm  P8	 K
8	4	2


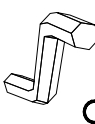



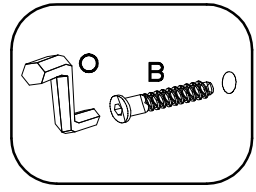
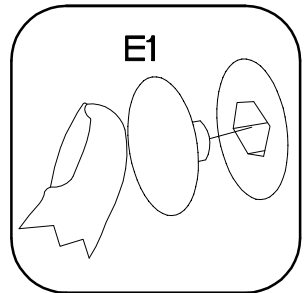
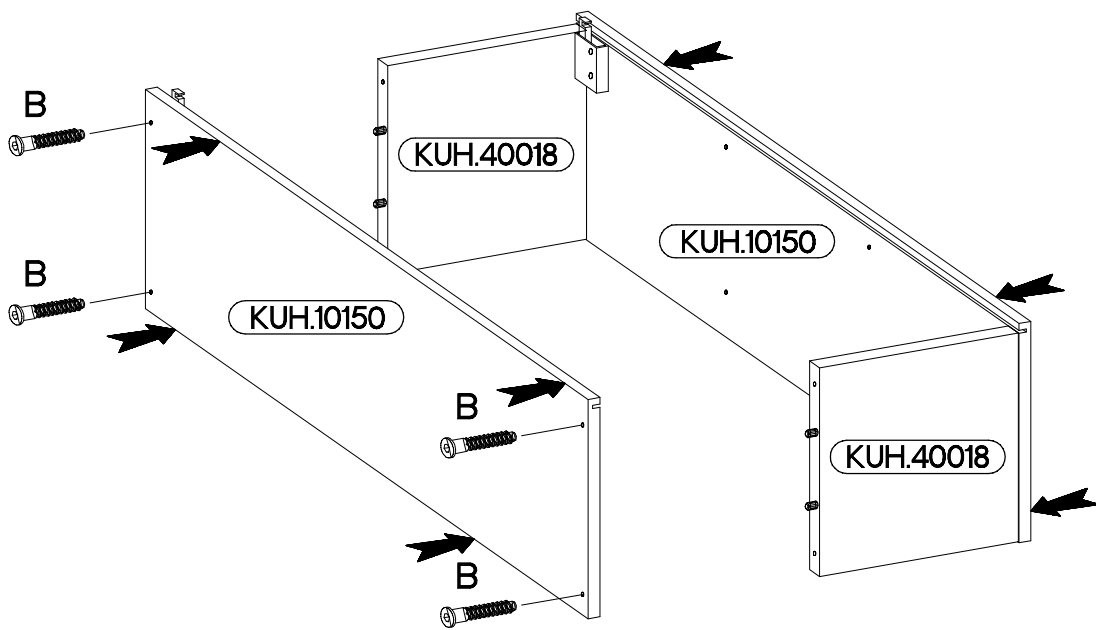
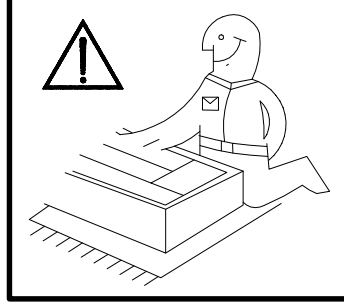
2

6,4 x 50mm  B	 O	 E1
4	1	4




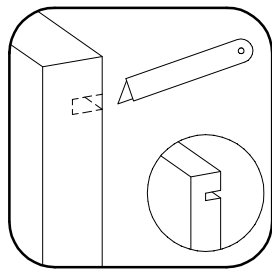
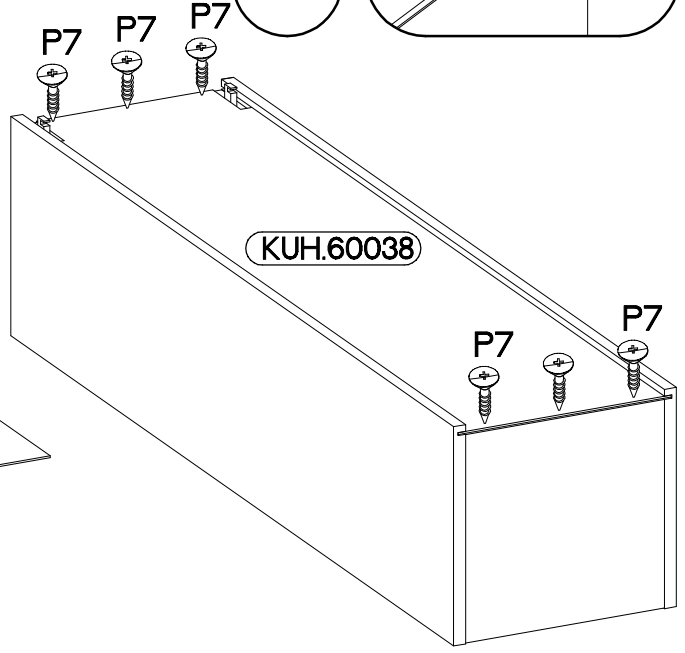
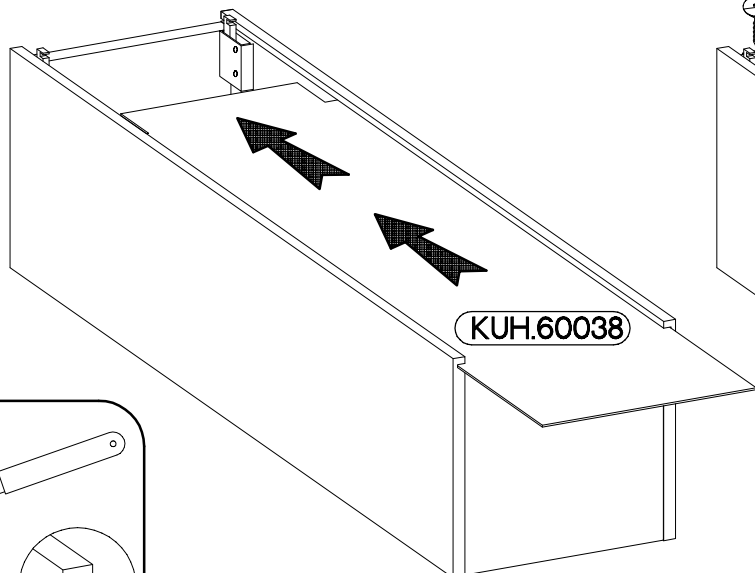
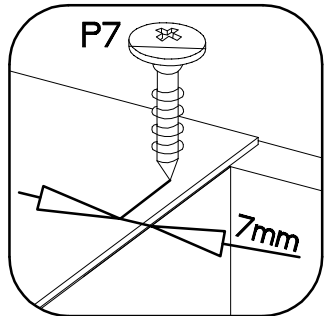
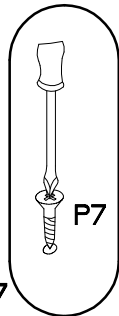
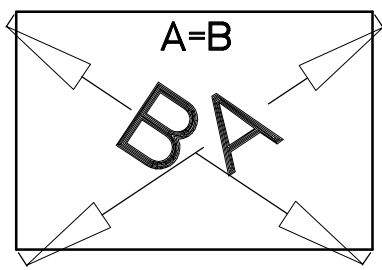
3

6,4 x 50mm		
		
B	O	E1
4	1	4

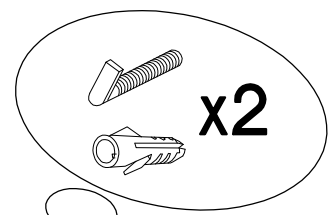
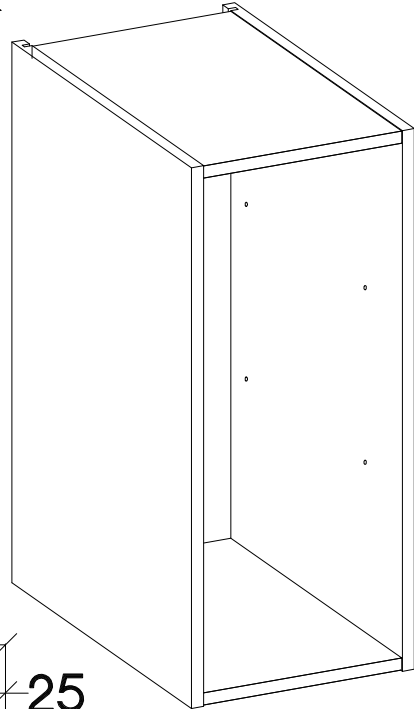
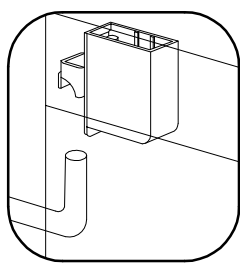
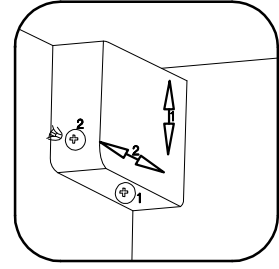
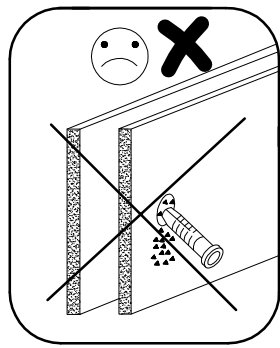
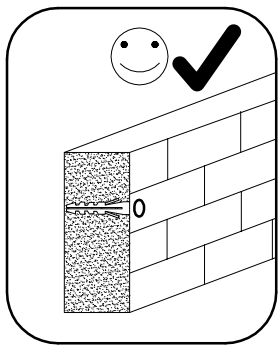
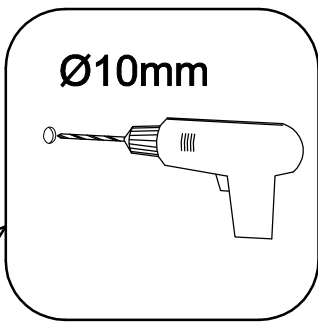
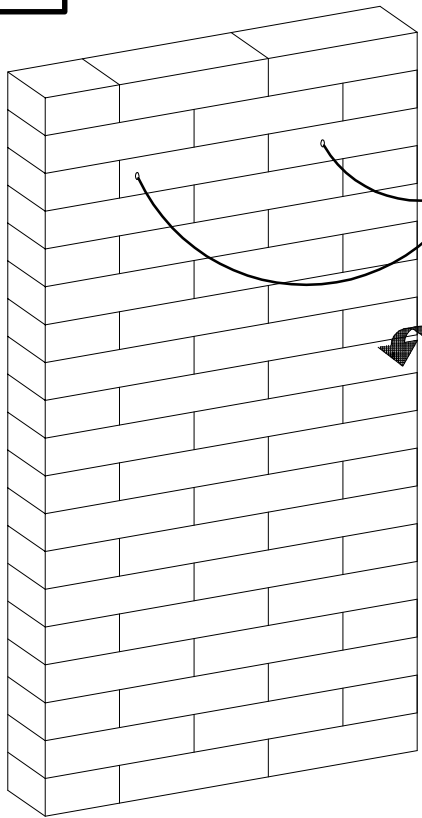


4

#3.0x20mm	
	P7
6	



5



6

