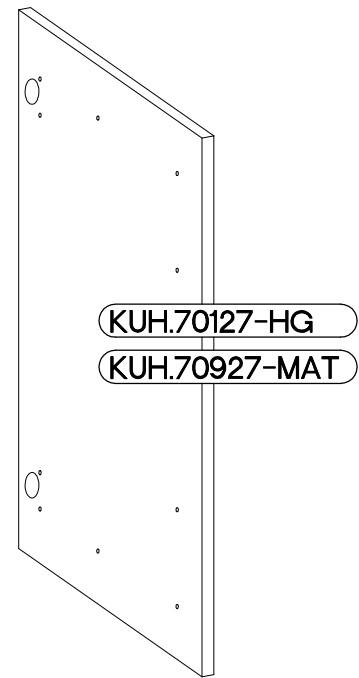
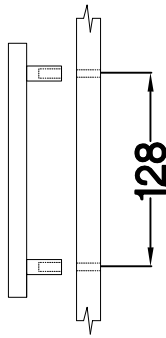
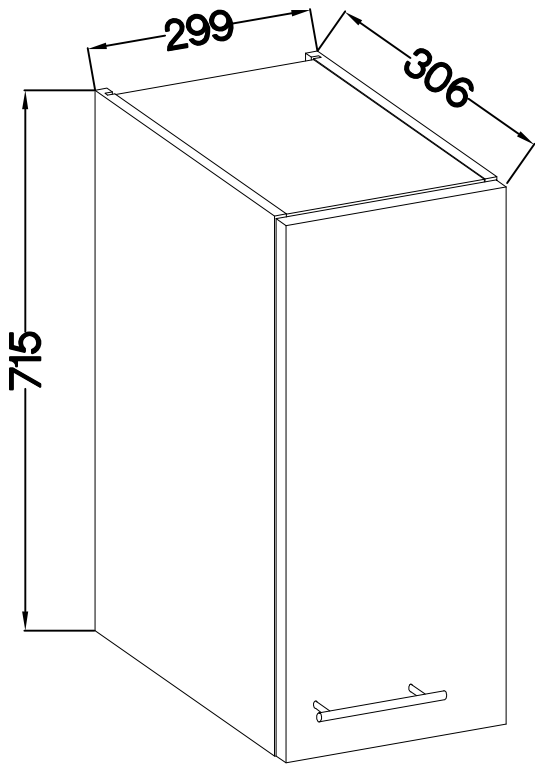
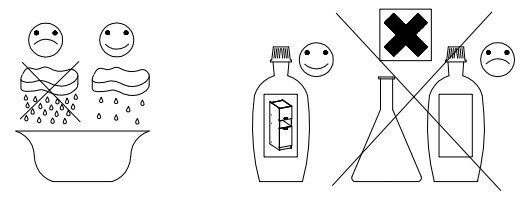

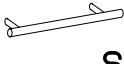


30 G-72 1F
FRONT



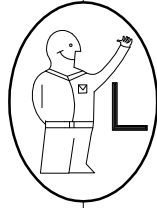
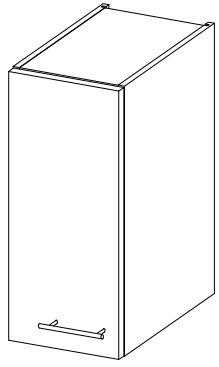
M4x22mm	L=128mm
	
U	S
2	1

ISM-KUH-01634

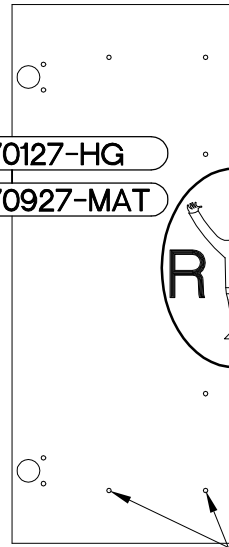
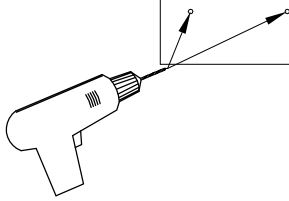
1

LEFT

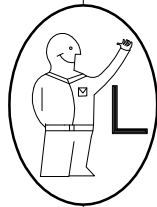
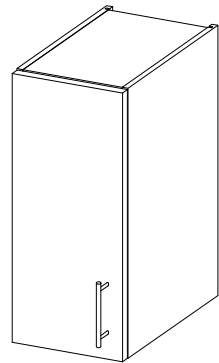
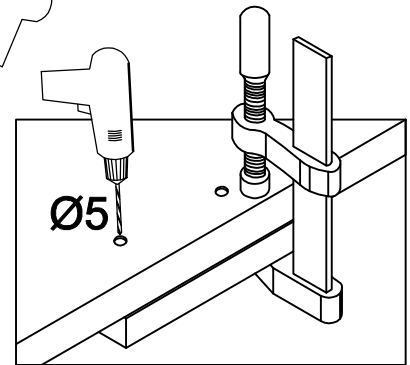
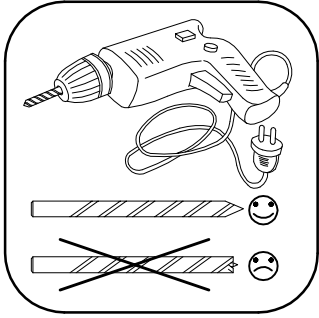
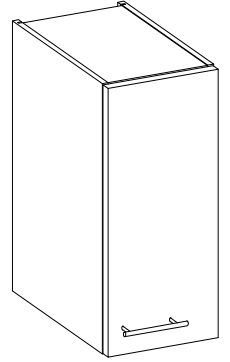
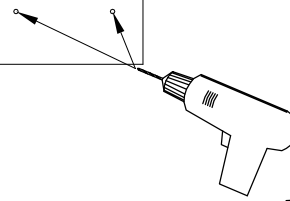
RIGHT



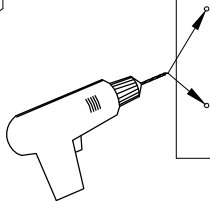
KUH.70127-HG
KUH.70927-MAT



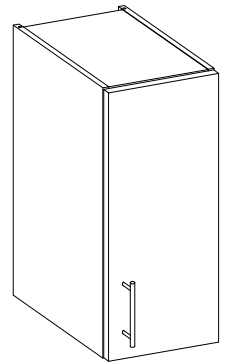
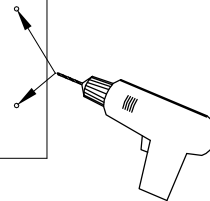
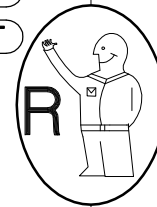
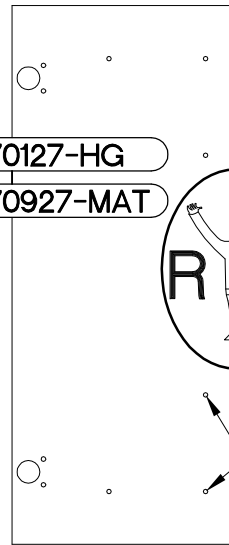
KUH.70127-HG
KUH.70927-MAT



KUH.70127-HG
KUH.70927-MAT

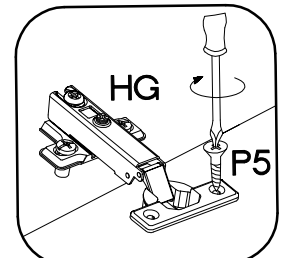
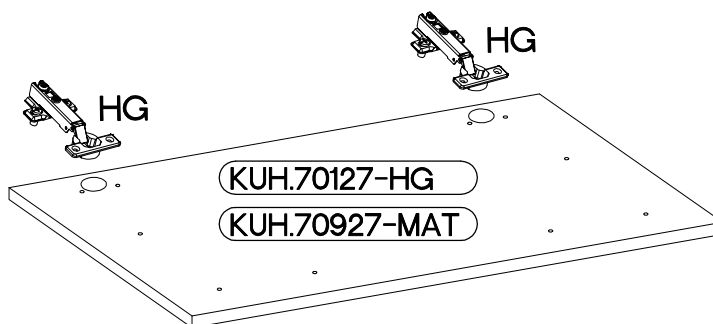


KUH.70127-HG
KUH.70927-MAT


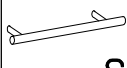


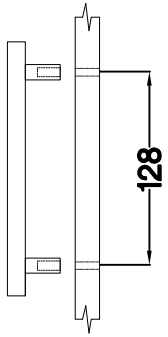
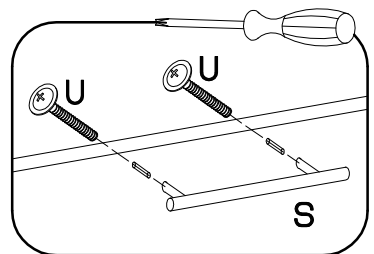
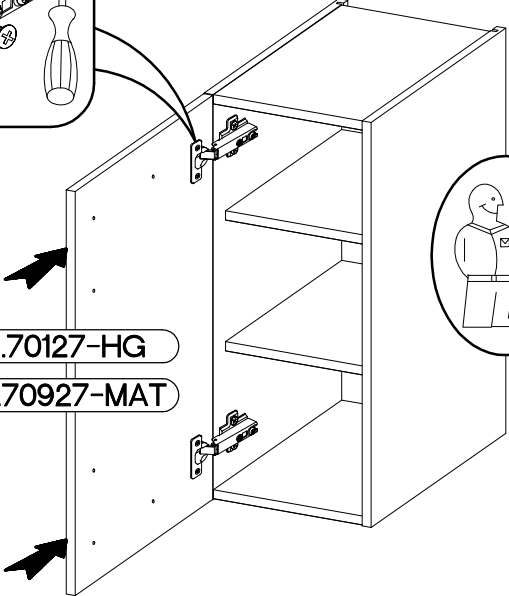
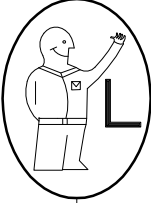
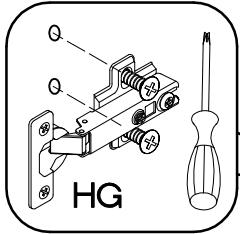
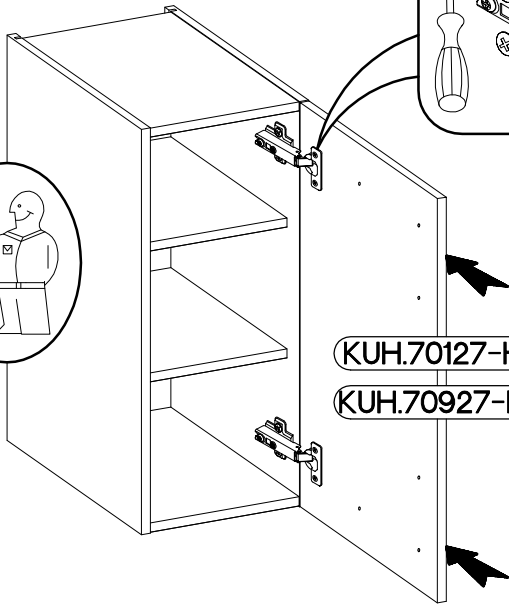
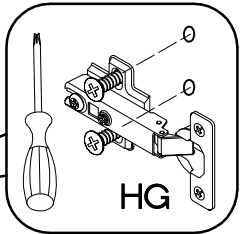
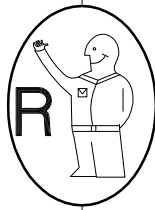
2

±35/0mm	±3.5x13mm
[CD] HG	P5
2	4



3

M4x22mm  U 2	L=128mm  S 1
---	---



VARIANT HIGH GLOSS

