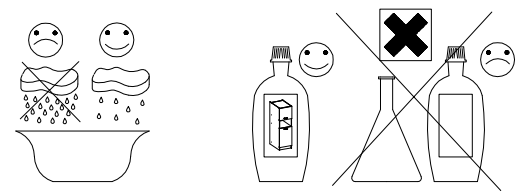
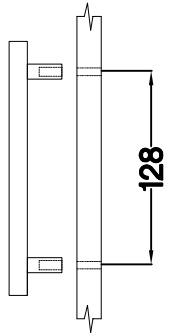
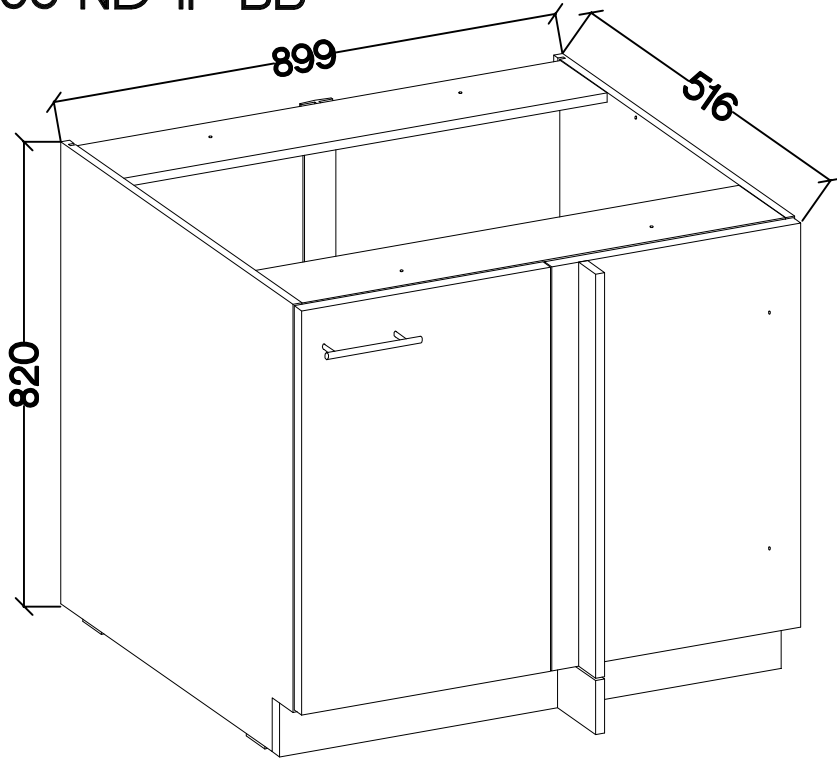


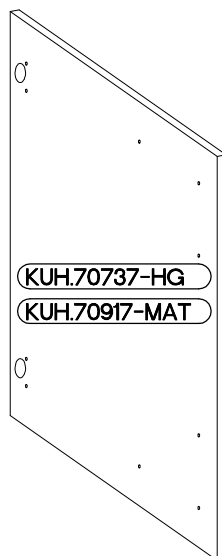
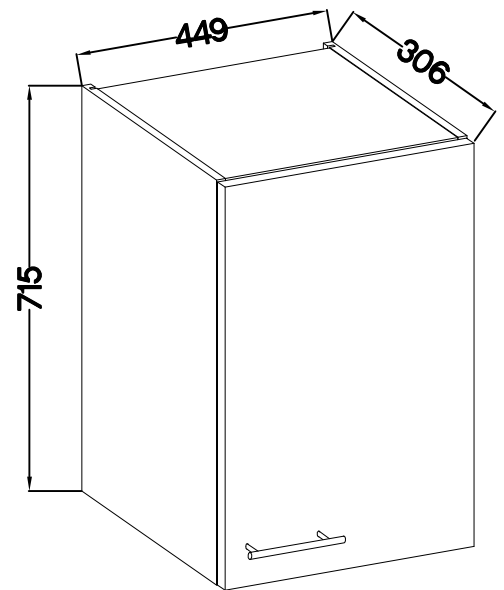
45 G-72 1F
105 ND 1F BB
FRONT





105 ND 1F BB



45 G-72 1F



M4x22mm	L=128mm
	
U	S
2	1

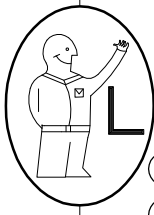
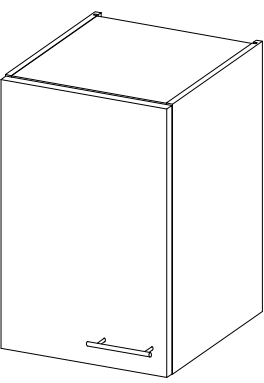
ISM-KUH-01640

1

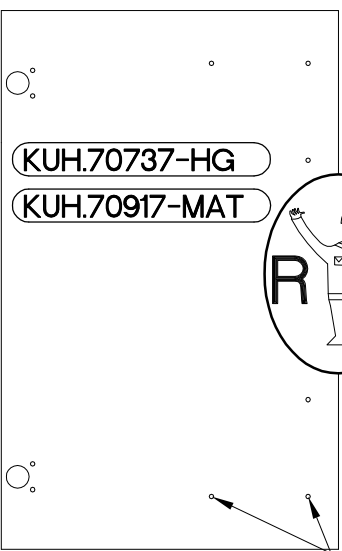
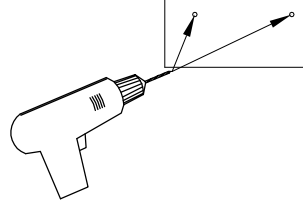
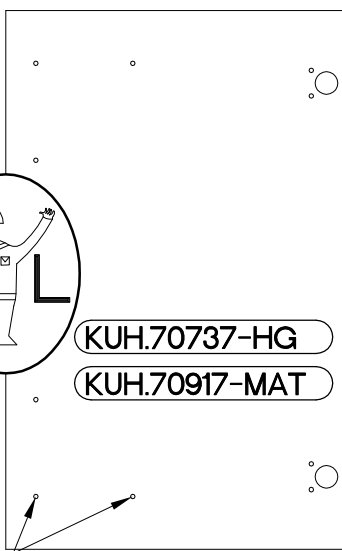
45 G-72 1F

LEFT

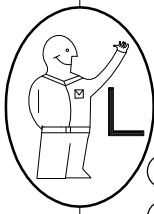
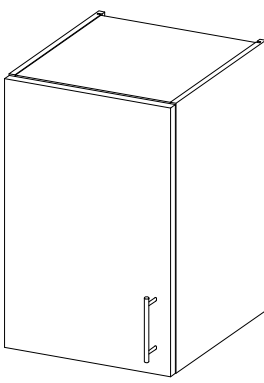
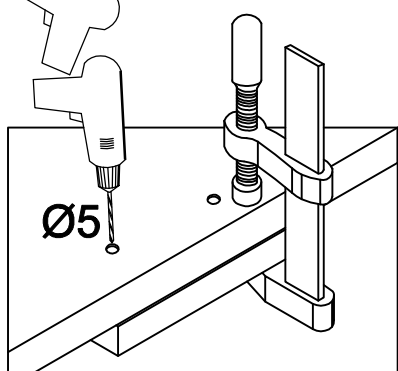
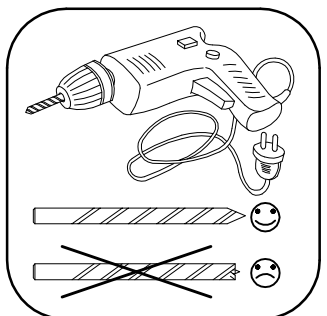
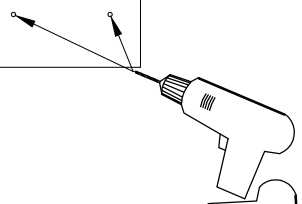
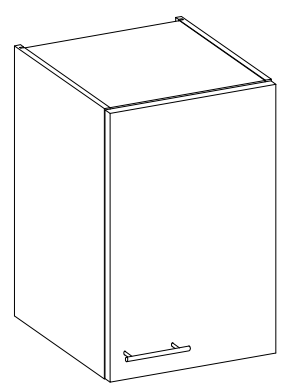
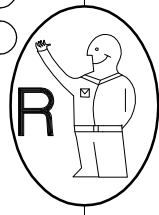
RIGHT



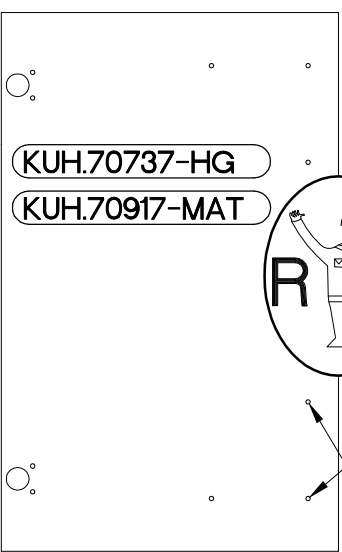
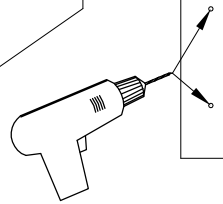
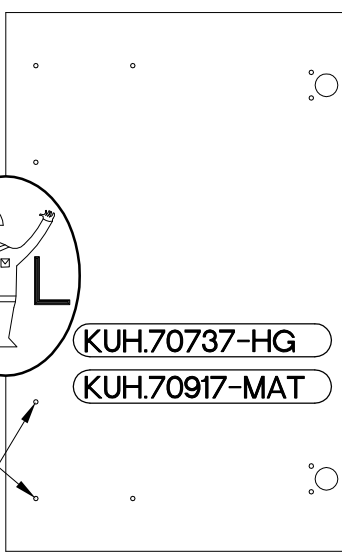
KUH.70737-HG
KUH.70917-MAT



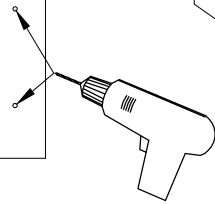
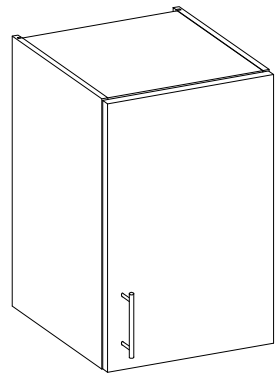
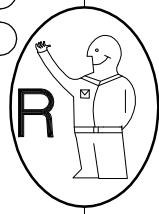
KUH.70737-HG
KUH.70917-MAT



KUH.70737-HG
KUH.70917-MAT

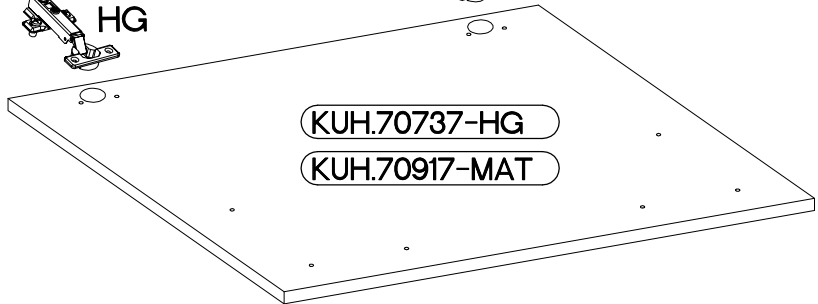
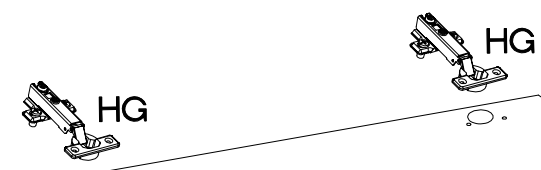


KUH.70737-HG
KUH.70917-MAT

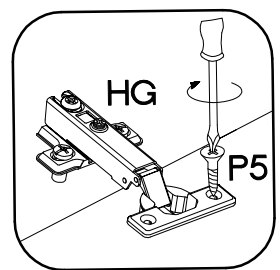



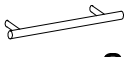
2

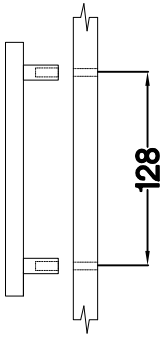
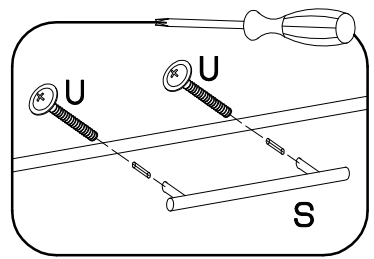
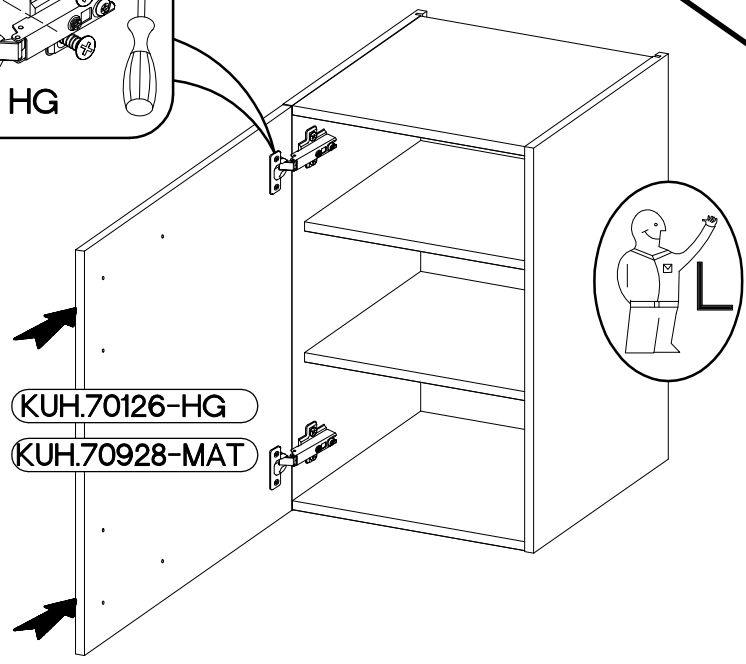
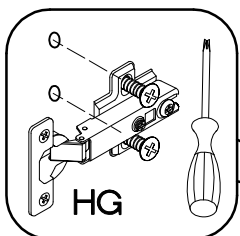
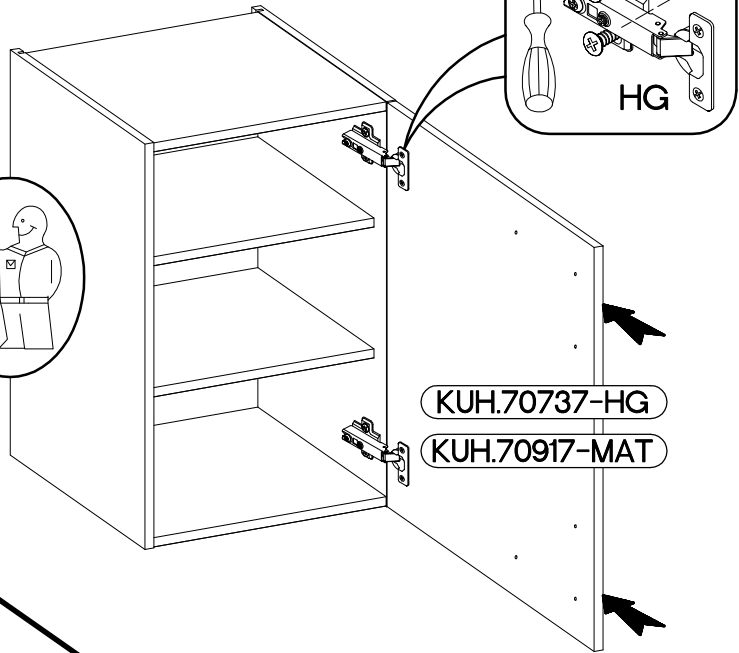
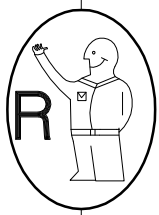
+35/0mm	+3.5x13mm
[CD] HG	P5
2	4



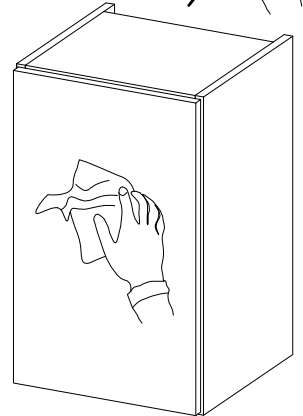
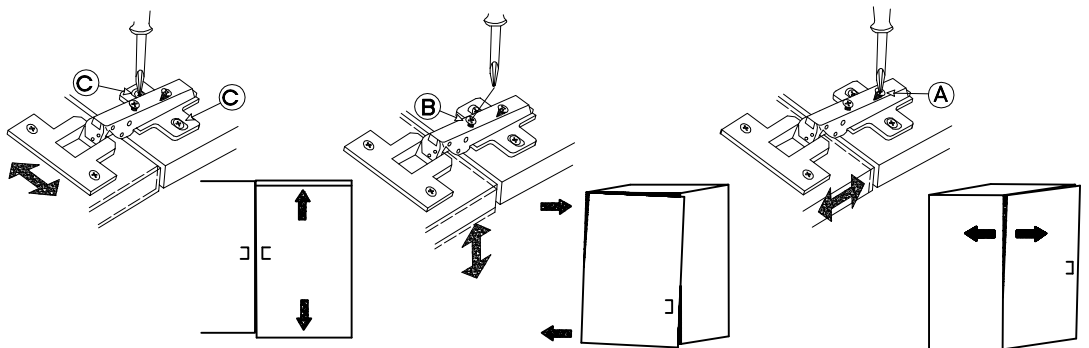
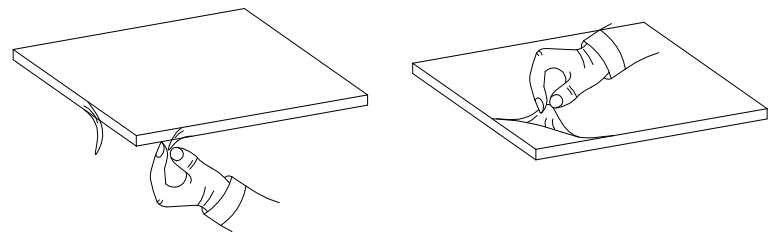
KUH.70737-HG
KUH.70917-MAT



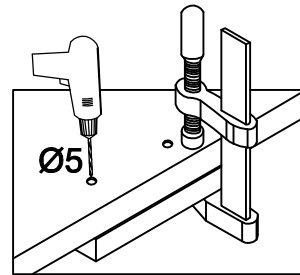
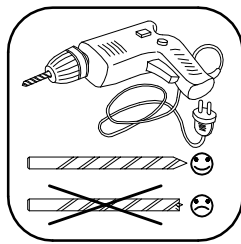
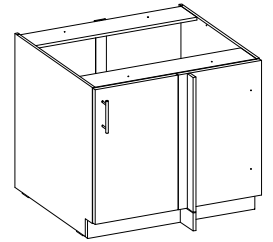
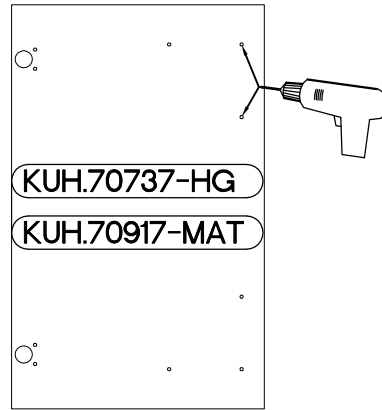
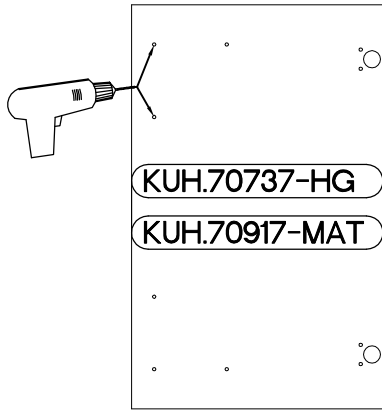
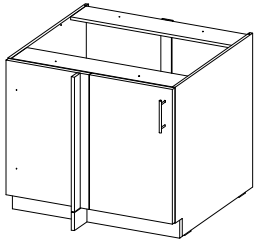
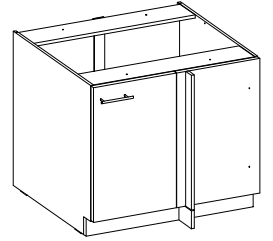
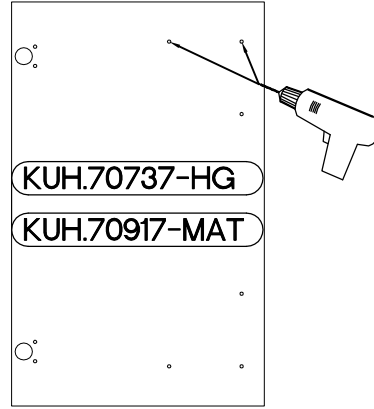
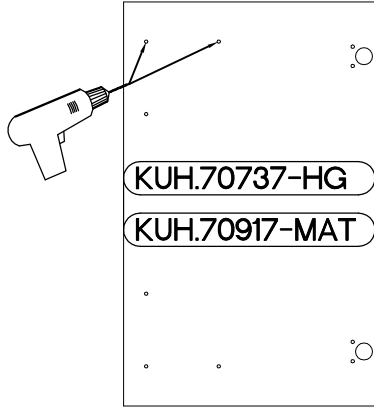
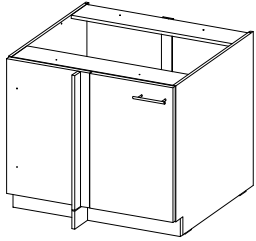
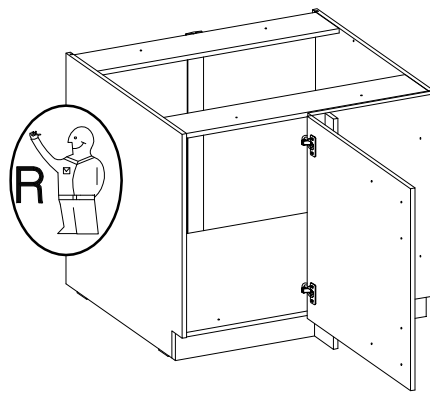
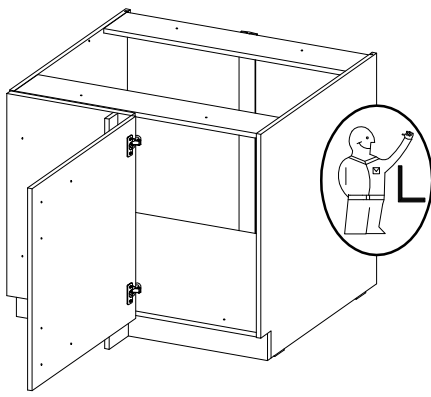
M4x22mm  U 2	L=128mm  S 1
---	---





VARIANT HIGH GLOSS

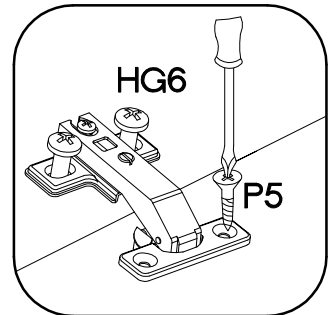
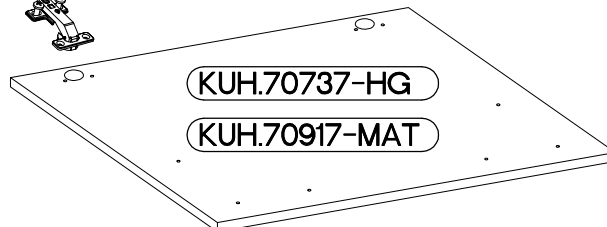


4


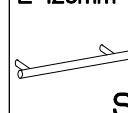


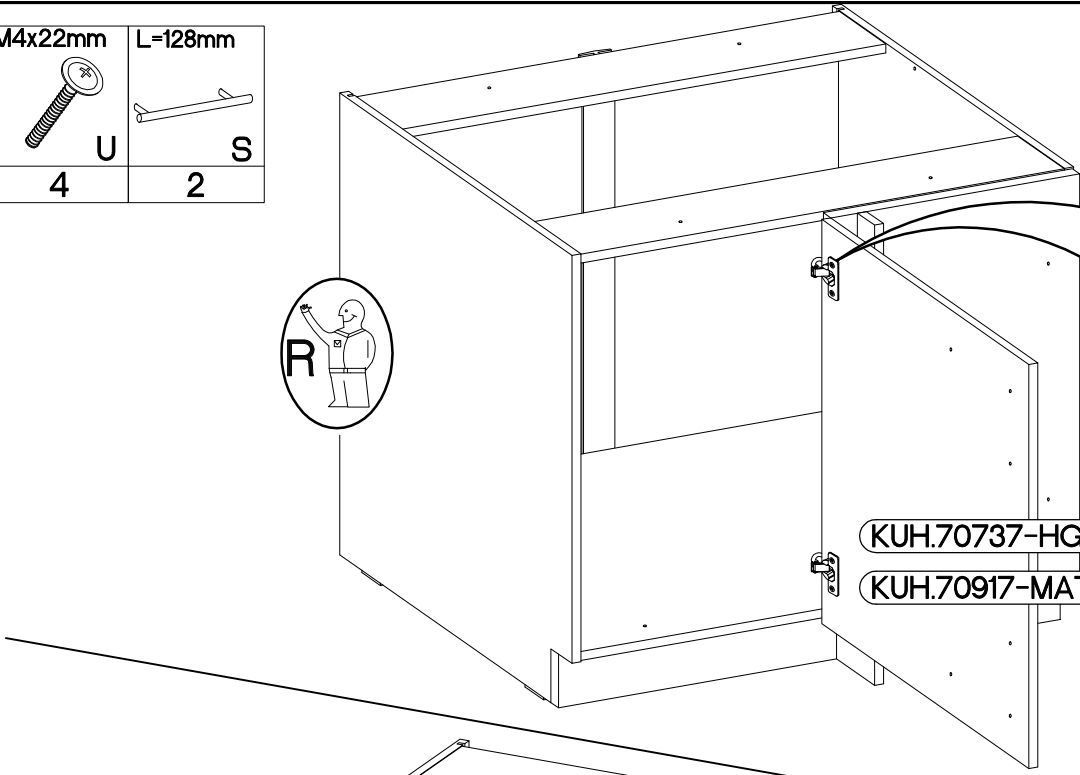
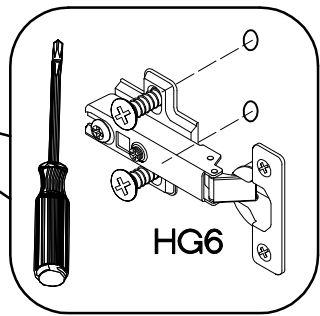
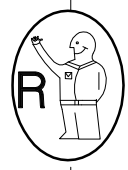
5

	
†35/90° †3.5x13mm	
HG6	P5
2	4

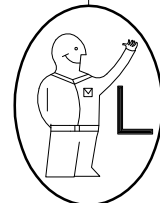
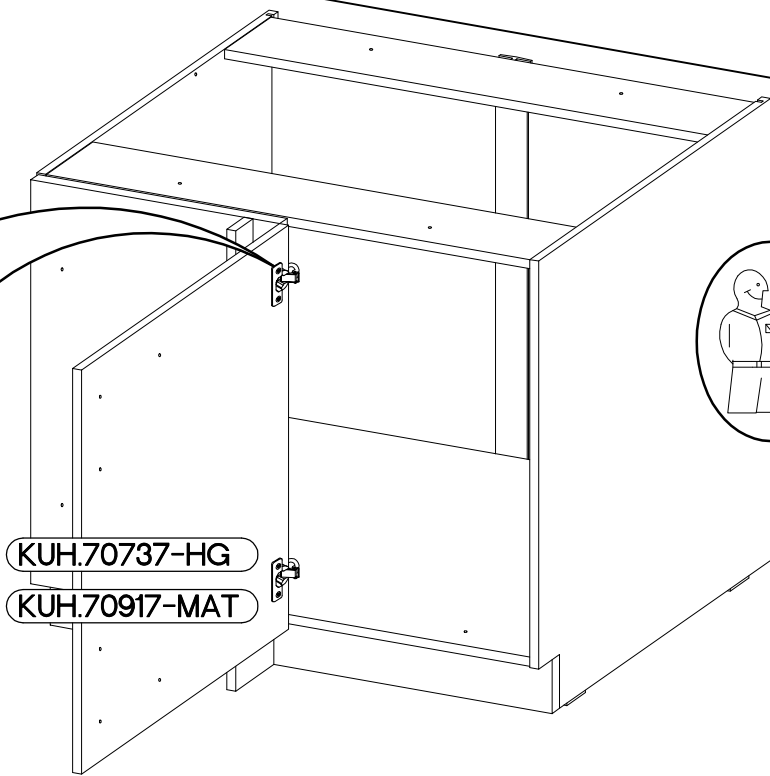
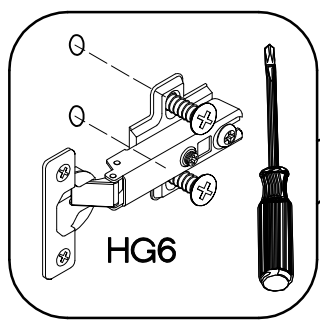


6

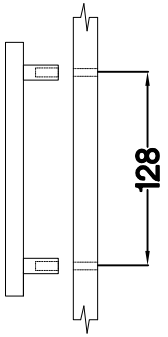
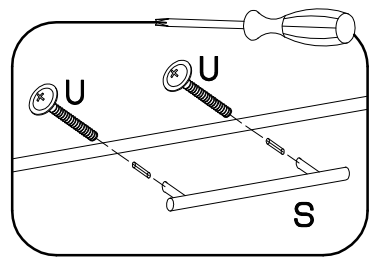
M4x22mm	L=128mm
	
U	S
4	2



KUH.70737-HG
KUH.70917-MAT



KUH.70737-HG
KUH.70917-MAT



VARIANT HIGH GLOSS

