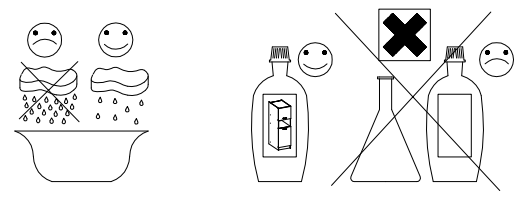
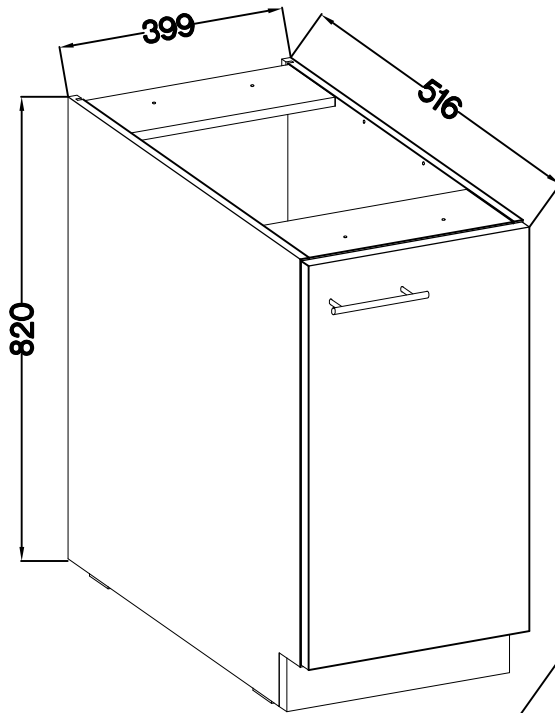


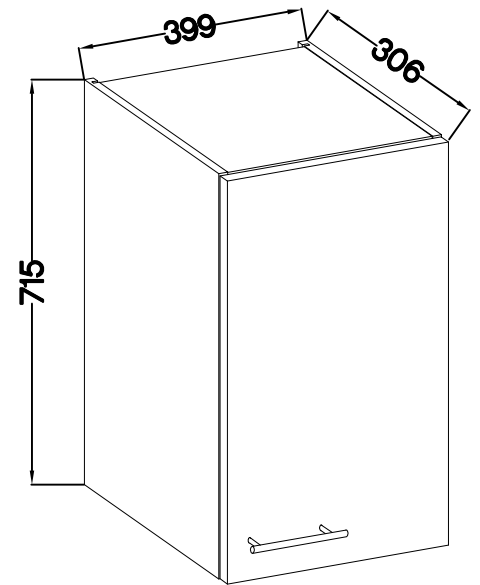
40 D 1F BB
40 G-72 1F
58x58 GN-72 1F
FRONT



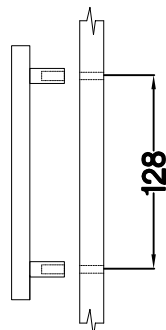
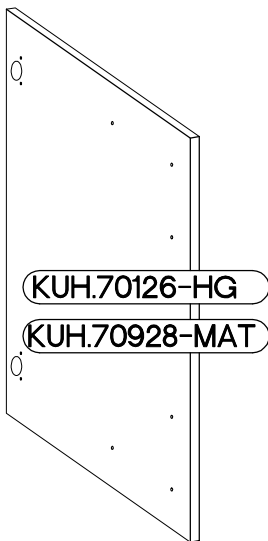
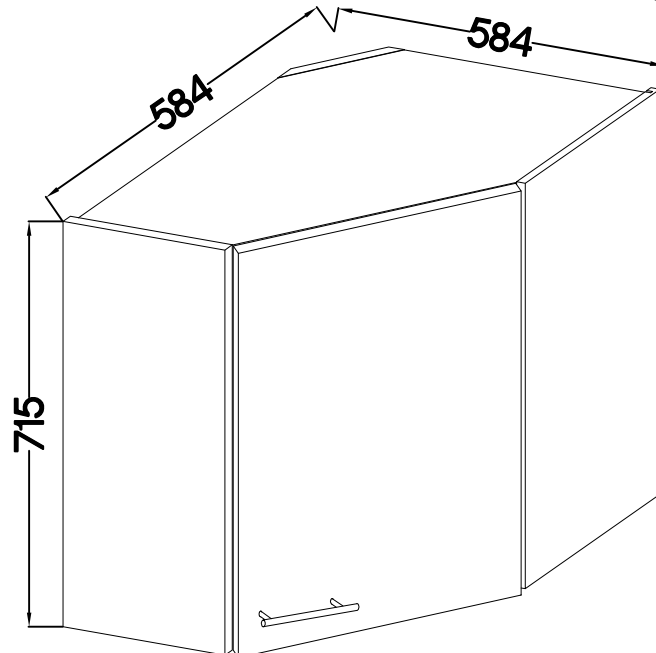
40 D 1F BB





40 G-72 1F



58x58 GN-72 1F



M4x22mm	L=128mm
	
U	S
2	1

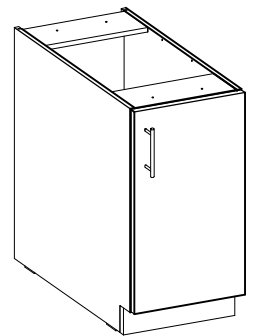
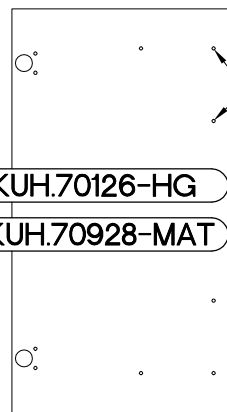
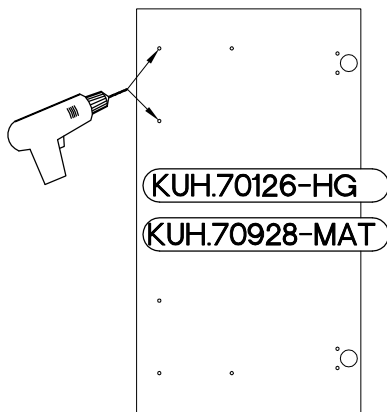
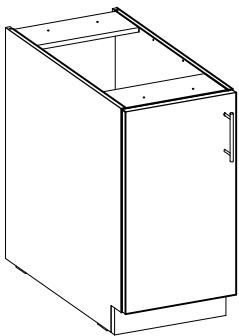
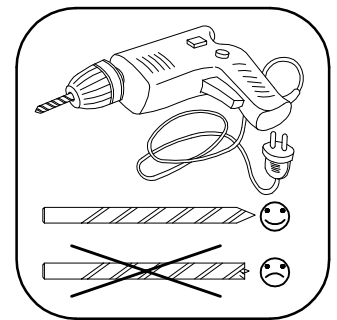
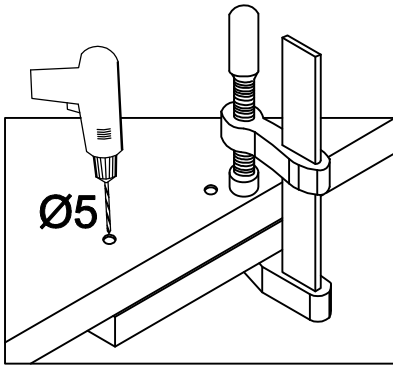
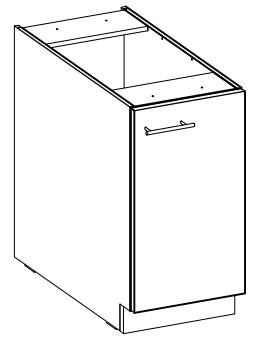
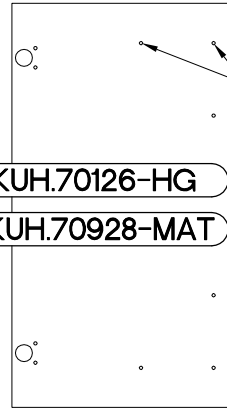
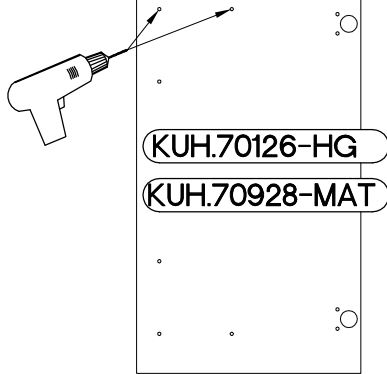
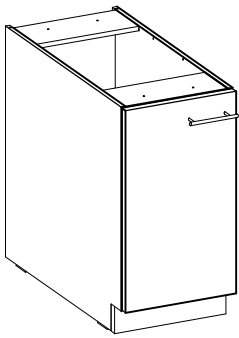
1 40 D 1F BB



LEFT

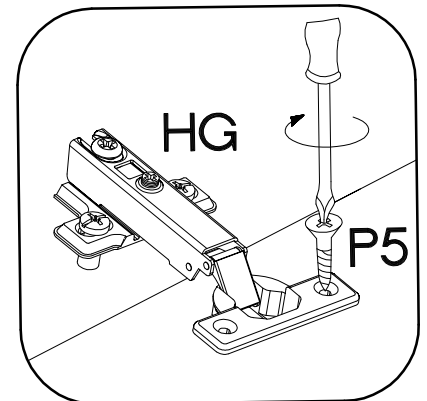
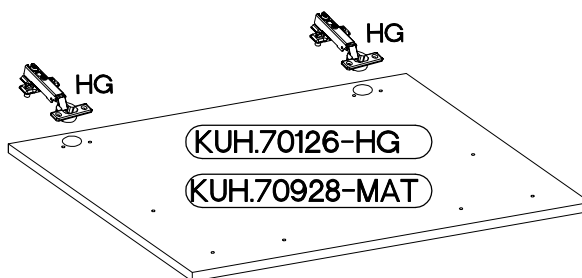


RIGHT


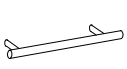


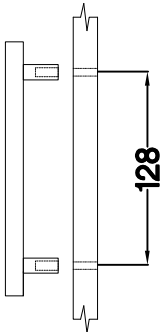
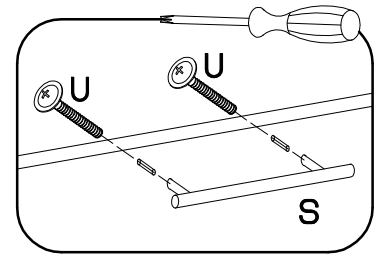
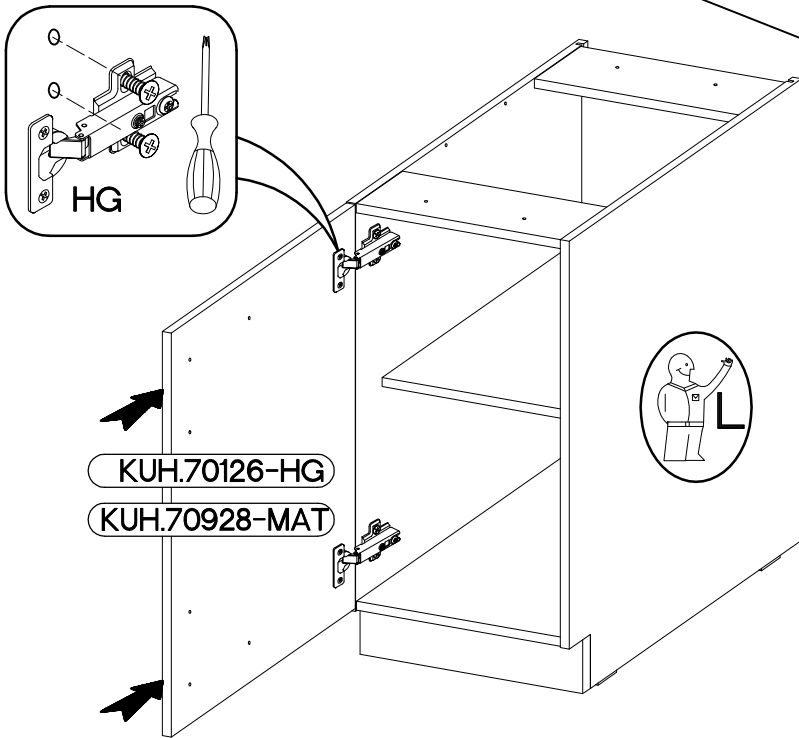
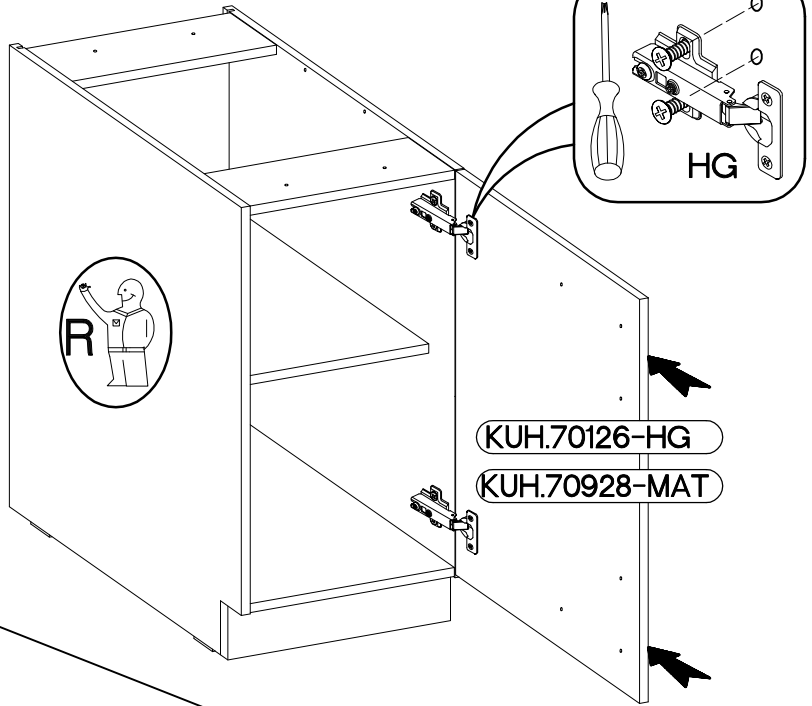
2

±35/0mm [CD] HG 2	±3.5x13mm P5 4
----------------------------	----------------------

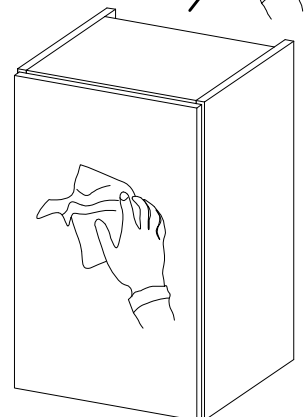
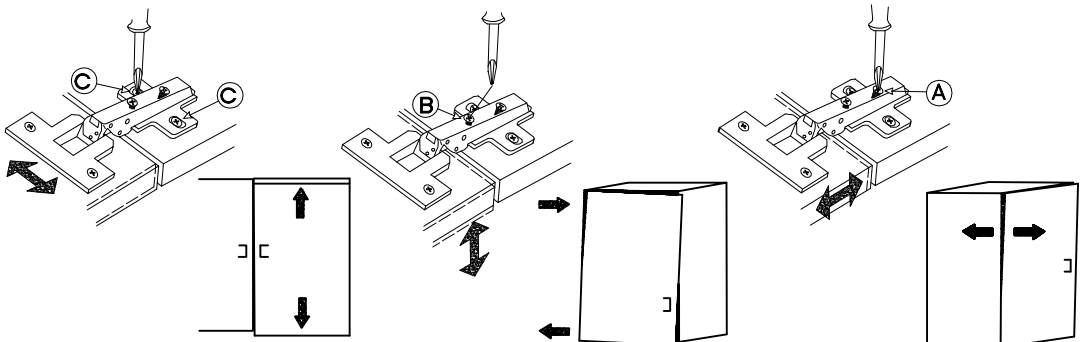
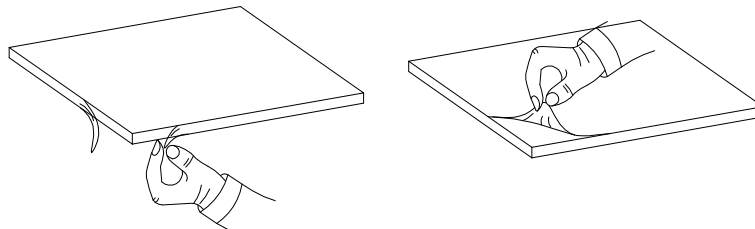


3

M4x22mm	L=128mm
	
U	S
2	1



VARIANT HIGH GLOSS



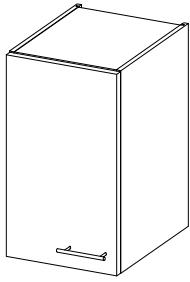
4 40 G-72 1F



LEFT

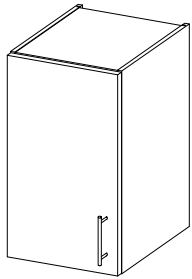
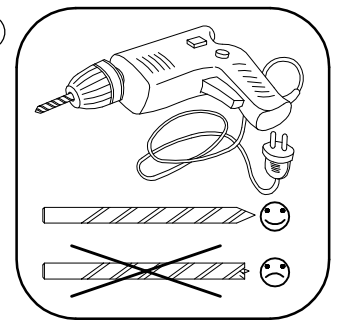
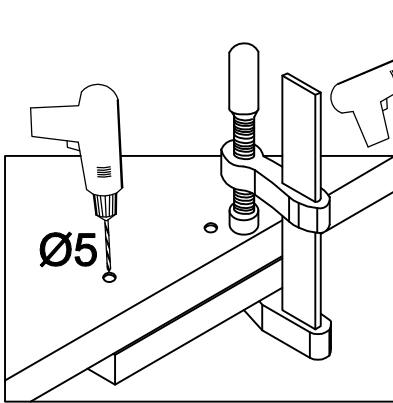
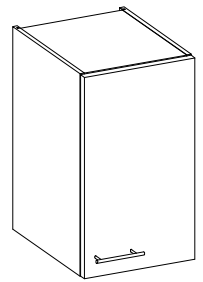


RIGHT



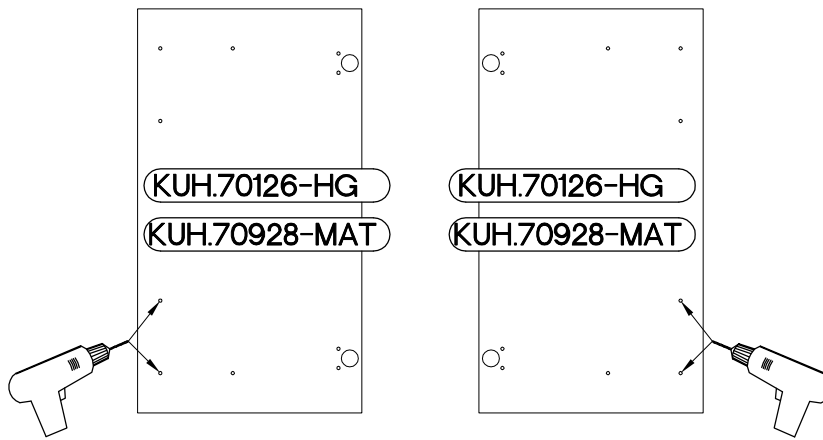
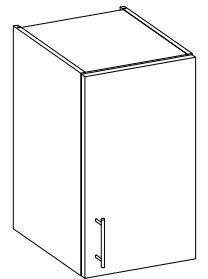
KUH.70126-HG
KUH.70928-MAT

KUH.70126-HG
KUH.70928-MAT





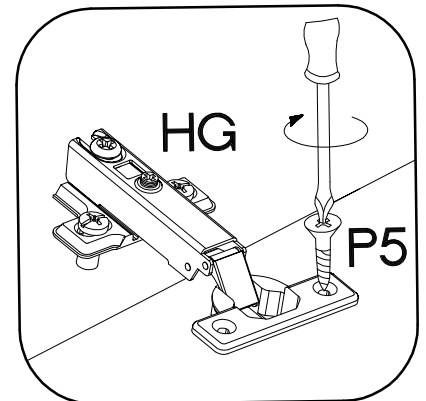
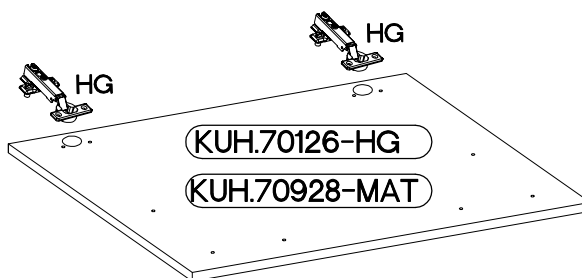
KUH.70126-HG
KUH.70928-MAT

KUH.70126-HG
KUH.70928-MAT





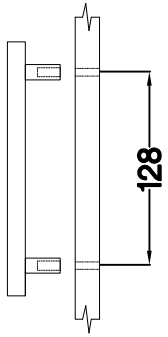
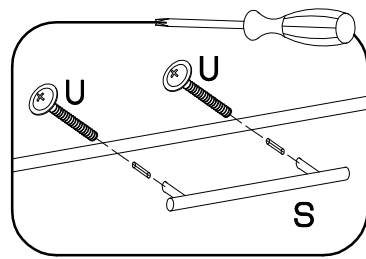
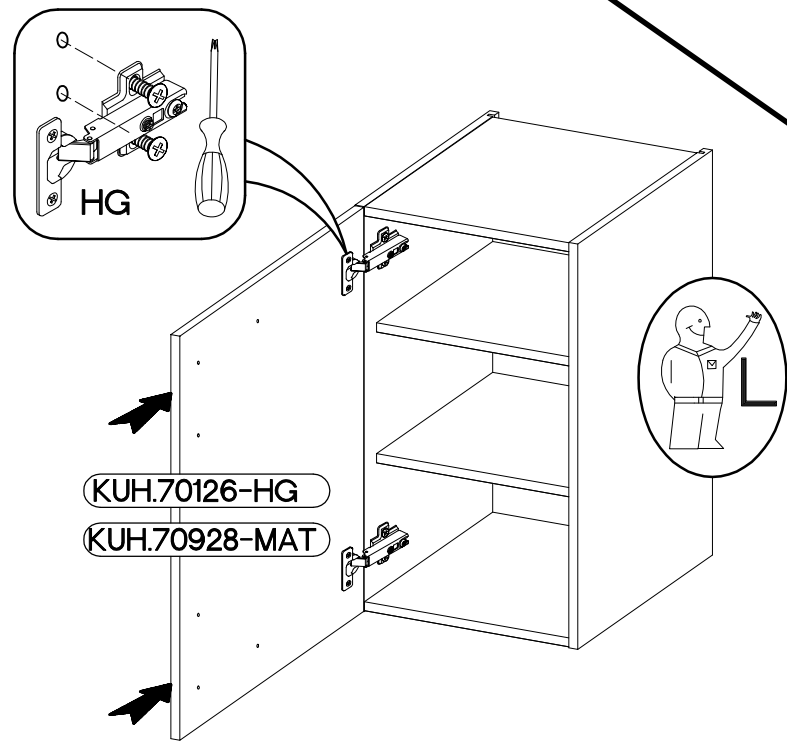
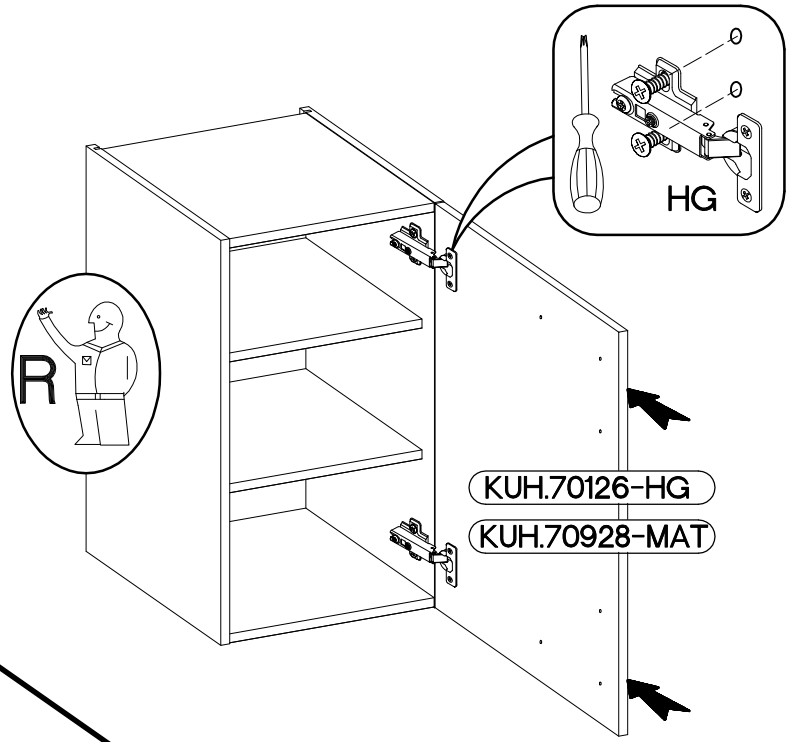
5

 †35/0mm [CD] HG 2	 †3.5x13mm P5 4
--	---

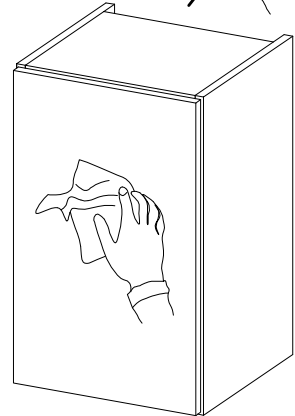
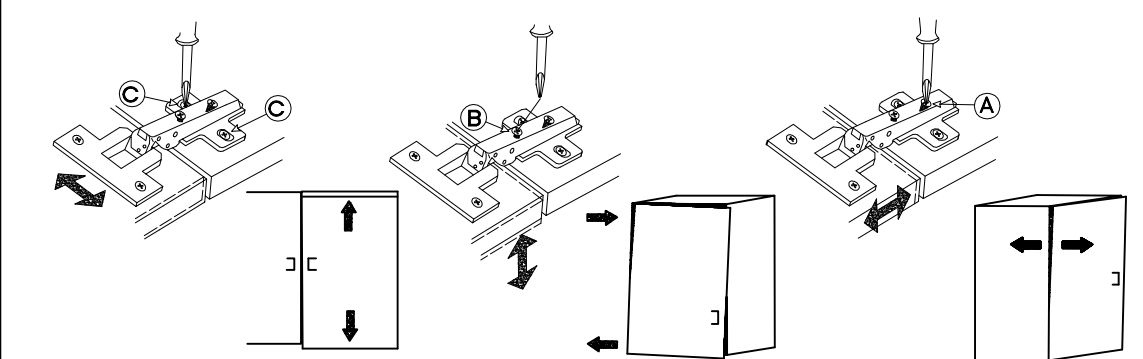
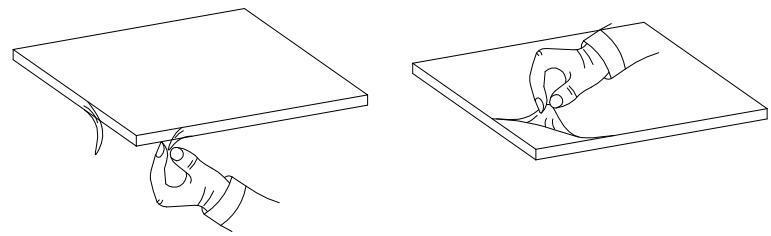


6

M4x22mm	L=128mm
 U	 S
2	1



VARIANT HIGH GLOSS

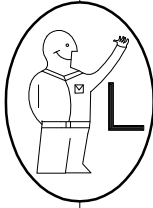
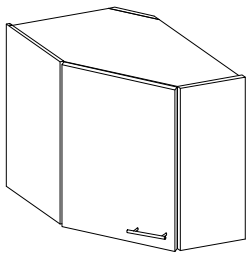


7

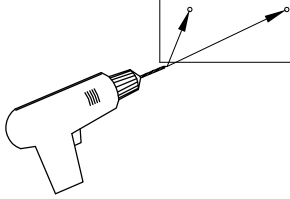
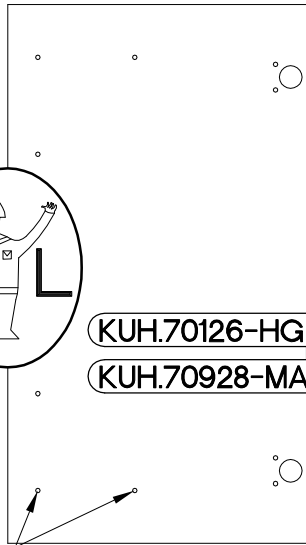
58x58 GN-72 1F

LEFT

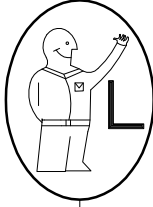
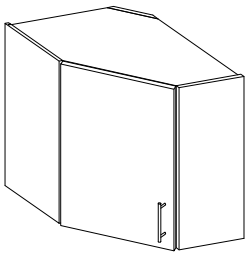
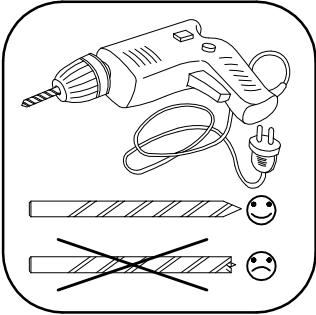
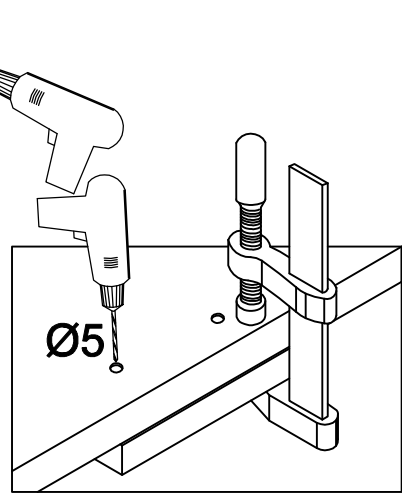
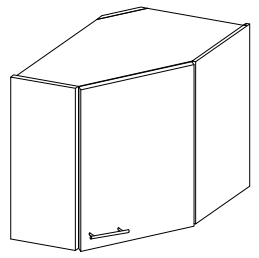
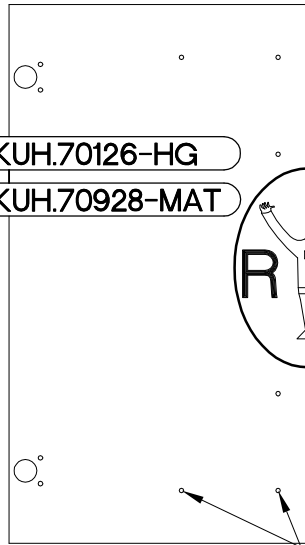
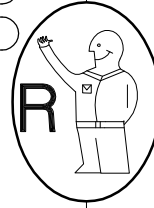
RIGHT



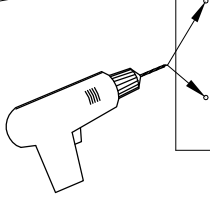
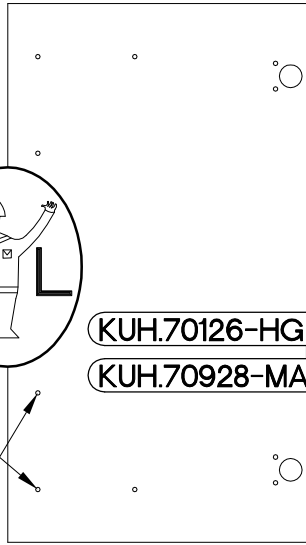
KUH.70126-HG
KUH.70928-MAT



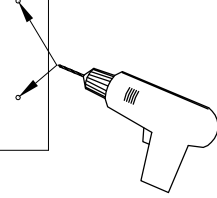
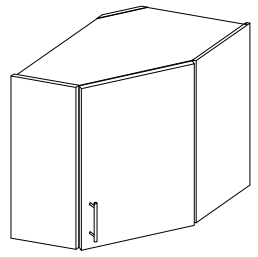
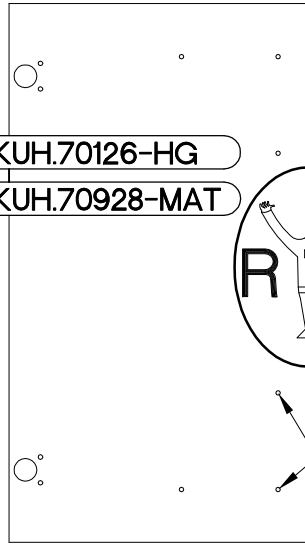
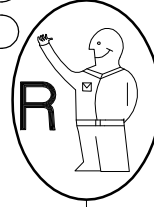
KUH.70126-HG
KUH.70928-MAT



KUH.70126-HG
KUH.70928-MAT

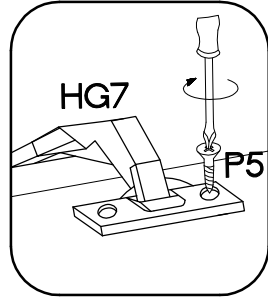
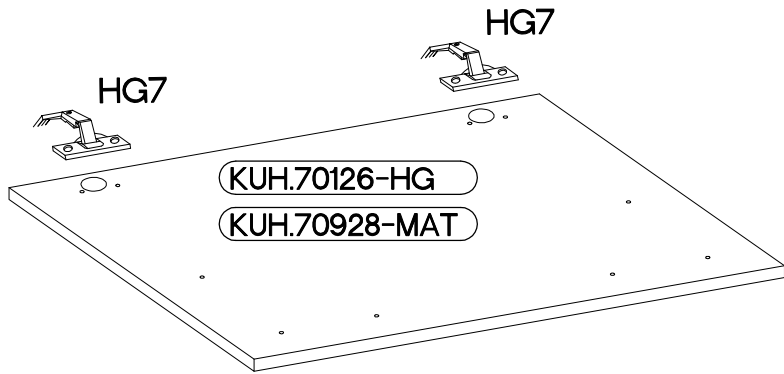


KUH.70126-HG
KUH.70928-MAT


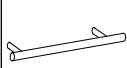


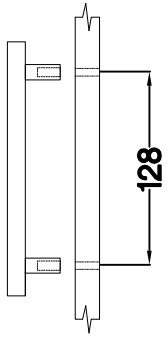
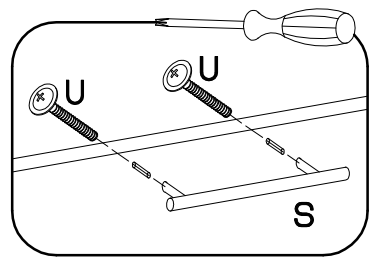
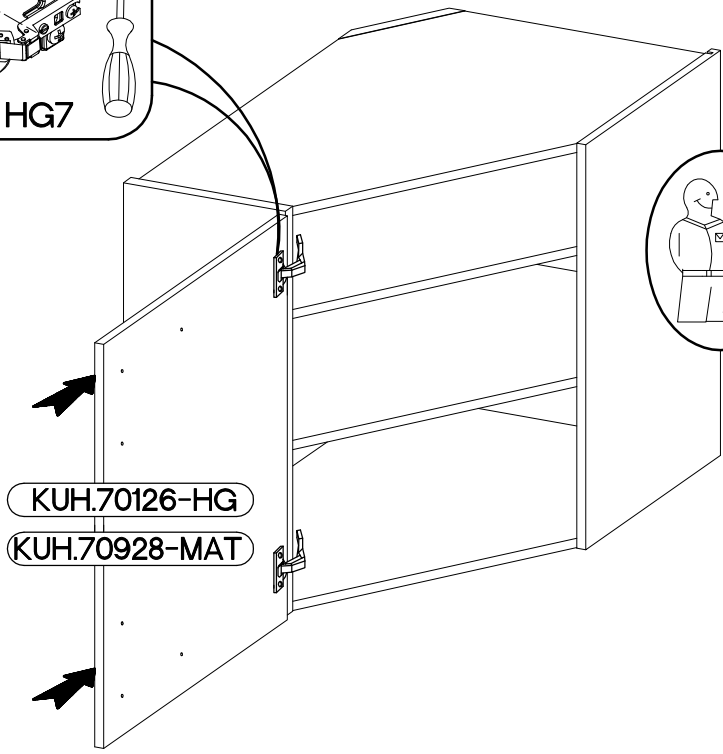
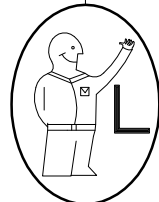
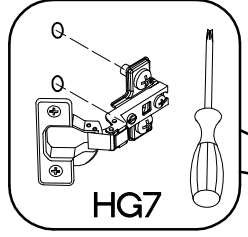
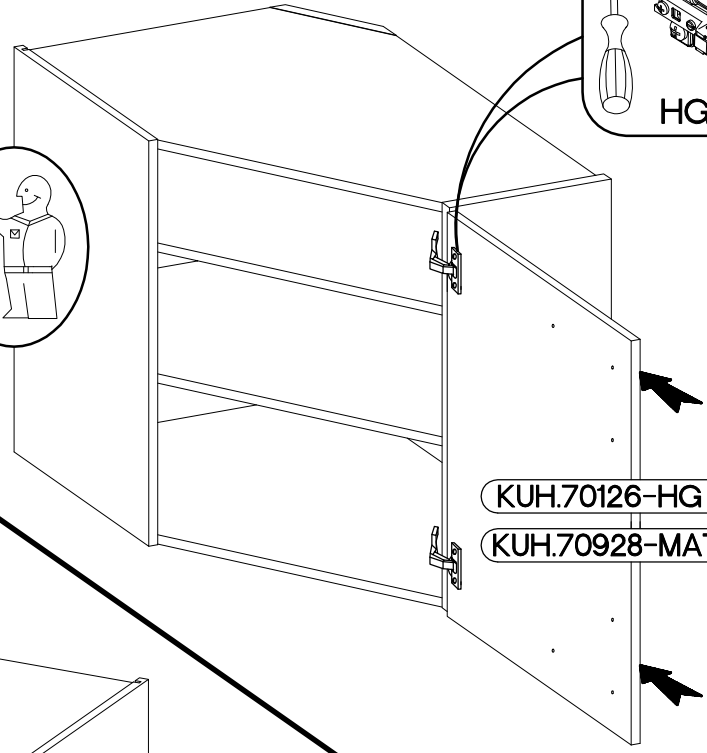
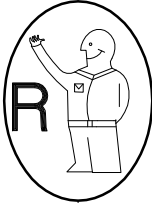
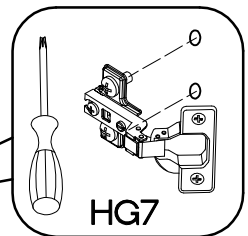
8

	+35/45° H=0		+3.5x13mm
(CD) HG7		P5	
2		4	



9

M4x22mm	L=128mm
	
U	S
2	1



VARIANT HIGH GLOSS

