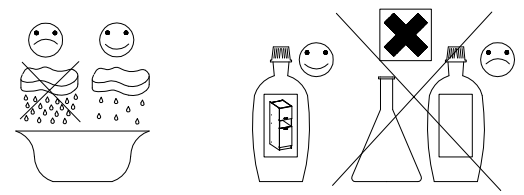
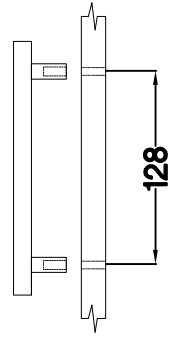
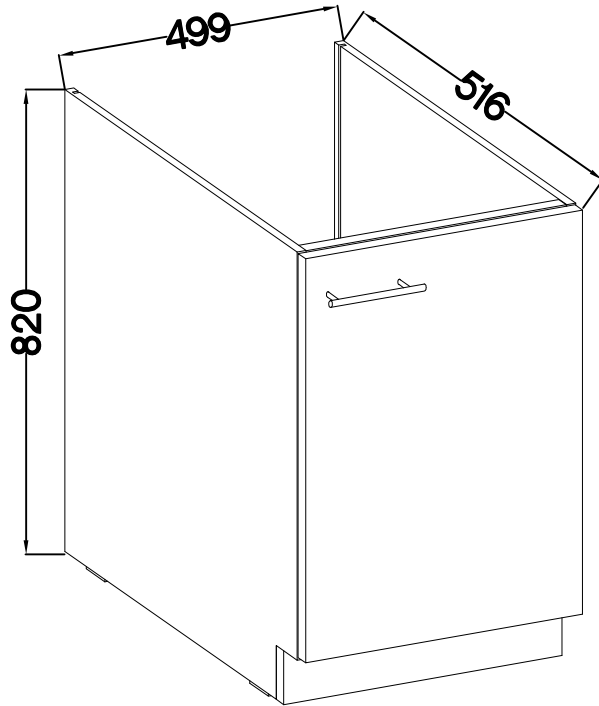


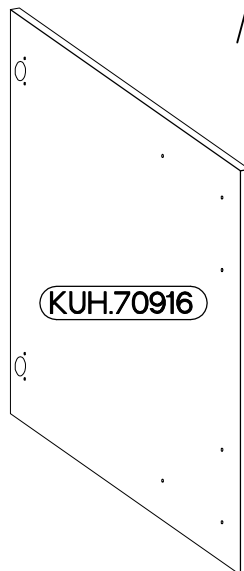
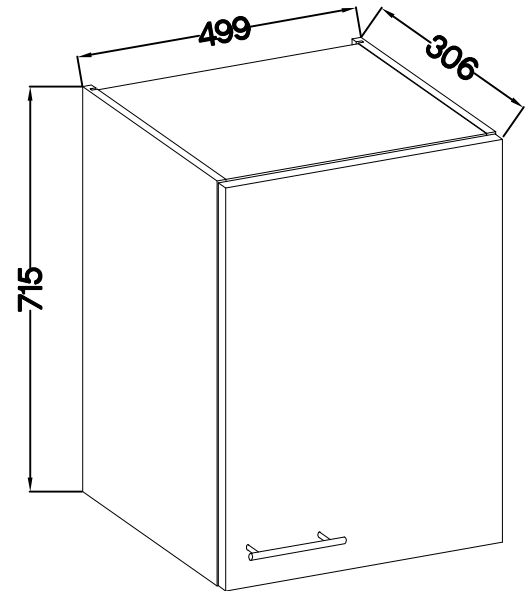
50 G-72 1F
50 ZL 1F BB
FRONT


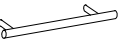


50 ZL 1F BB



50 G-72 1F



M4x22mm	L=128mm
	
U	S
2	1

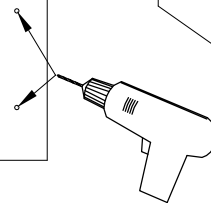
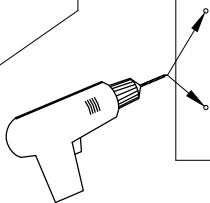
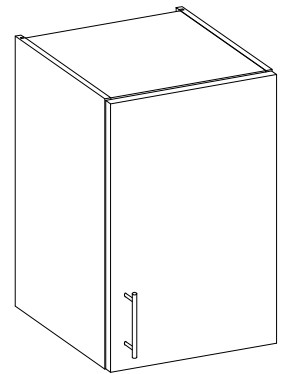
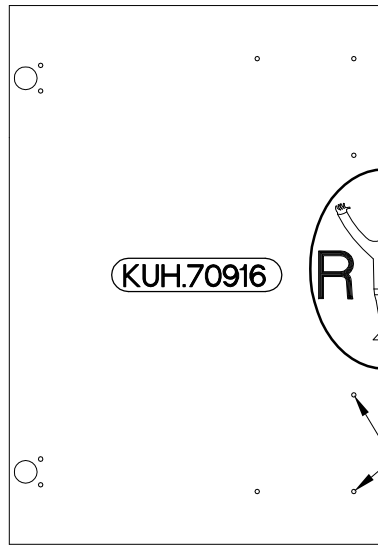
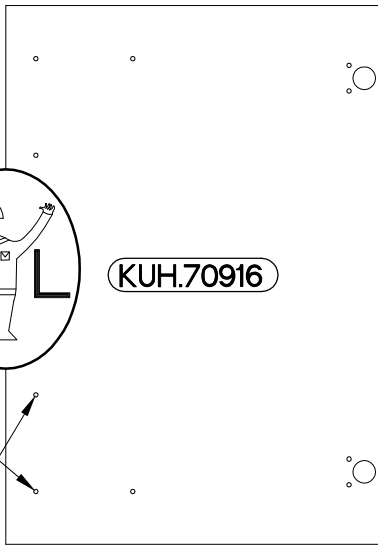
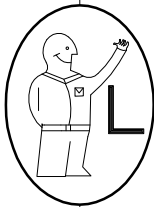
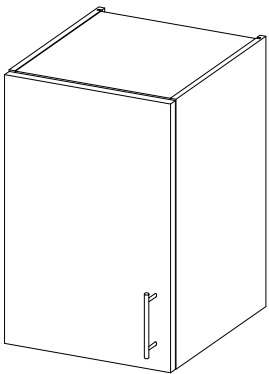
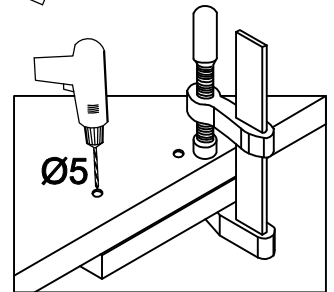
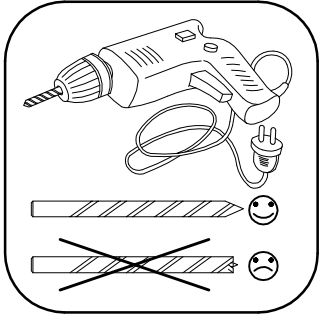
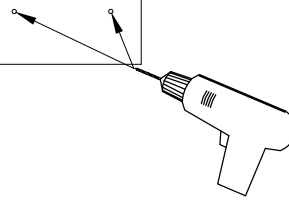
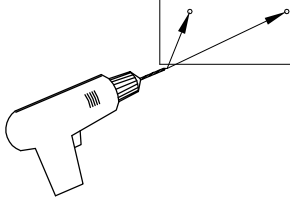
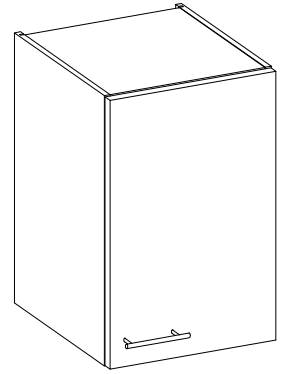
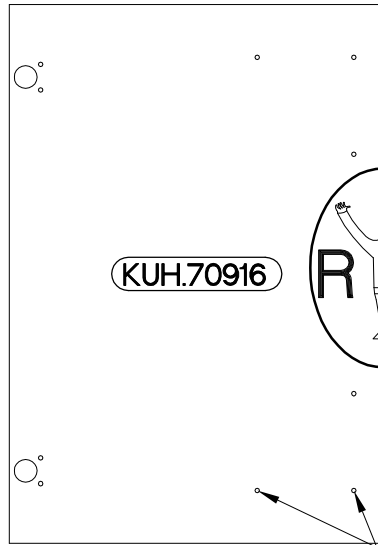
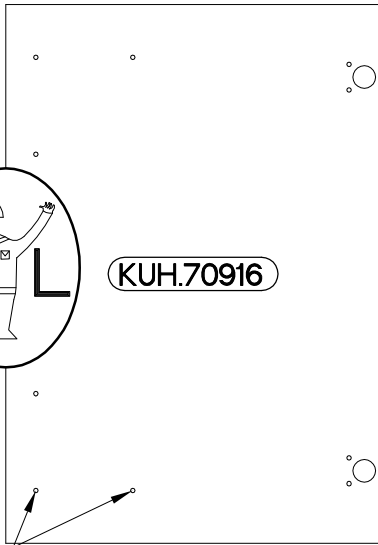
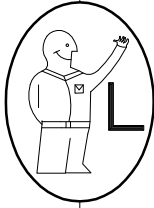
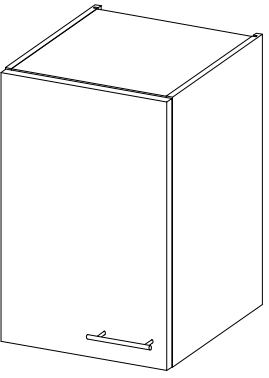
ISM-KUH-01641

1

50 G-72 1F

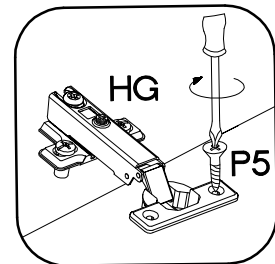
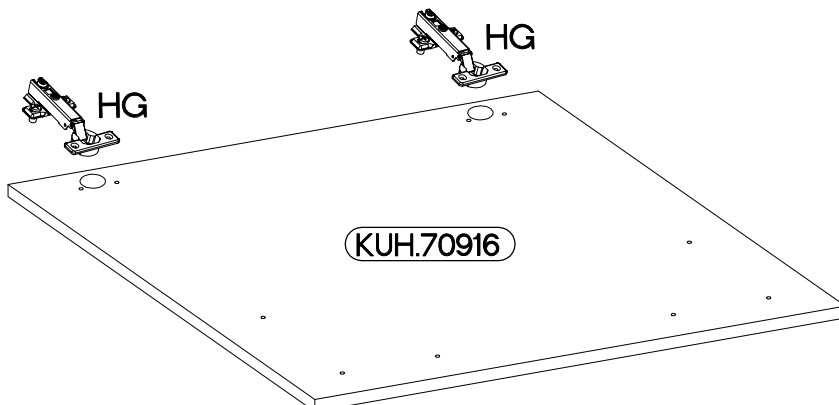
LEFT

RIGHT


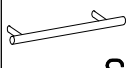


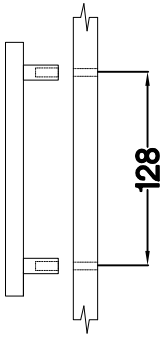
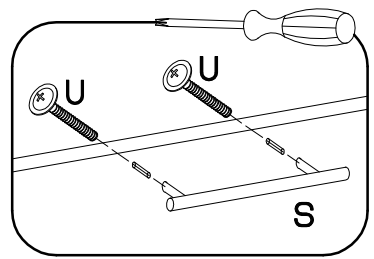
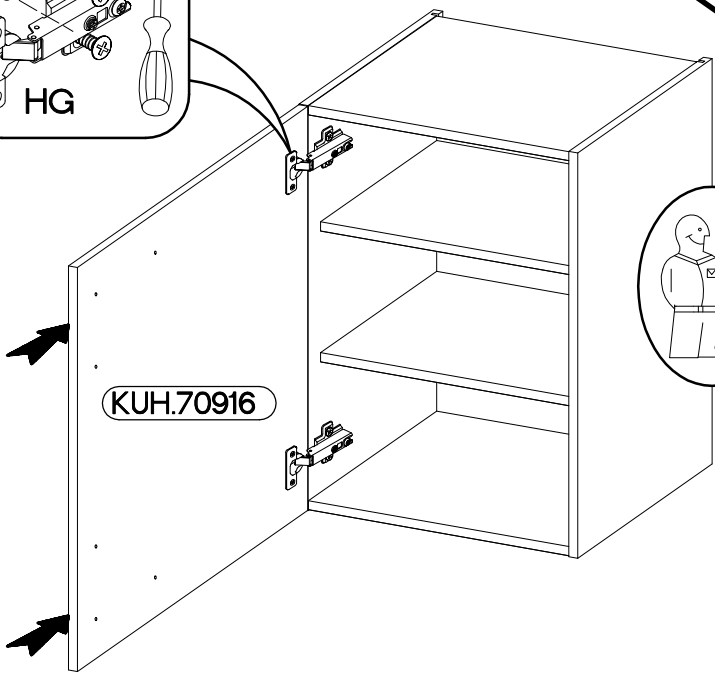
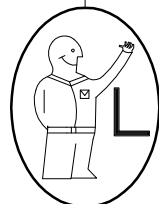
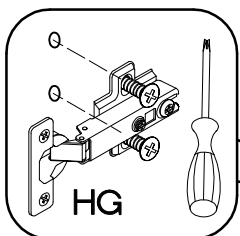
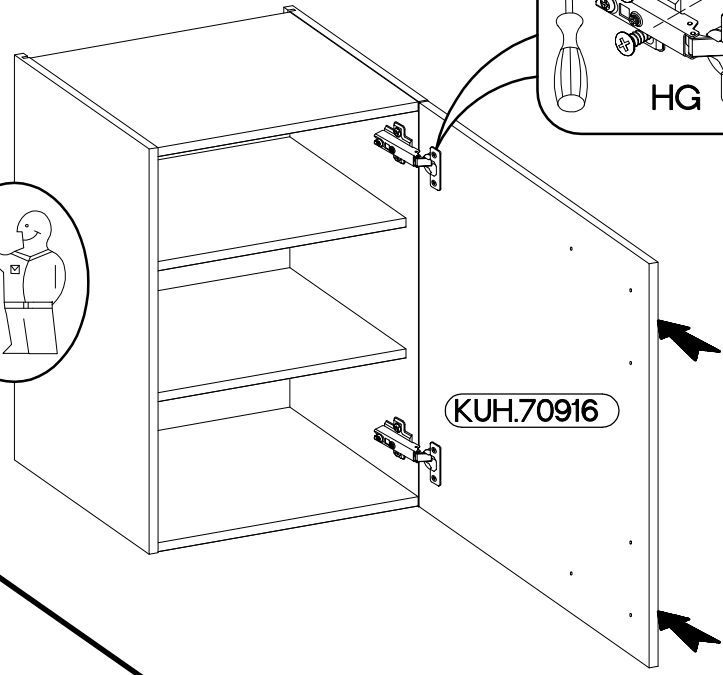
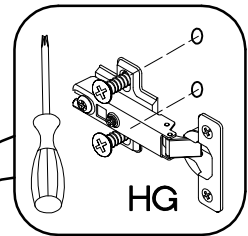
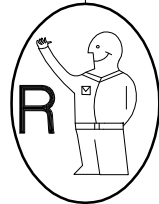
2

+35/0mm	+3.5x13mm
[CD] HG	P5
2	4

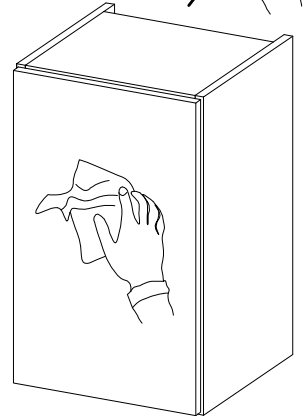
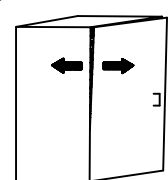
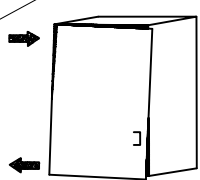
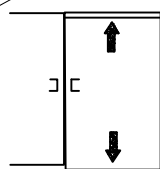
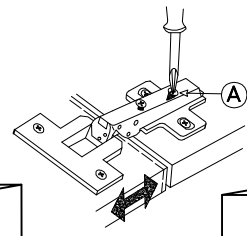
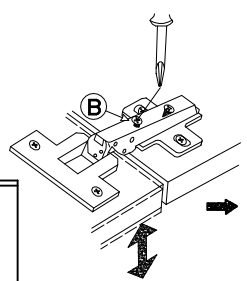
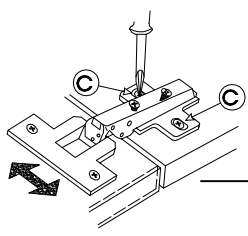
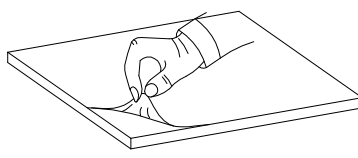
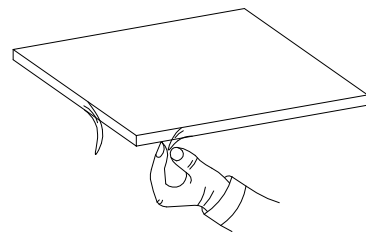


3

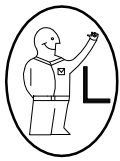
M4x22mm  U 2	L=128mm  S 1
---	---



VARIANT HIGH GLOSS



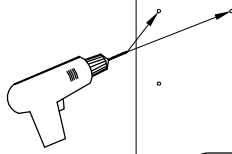
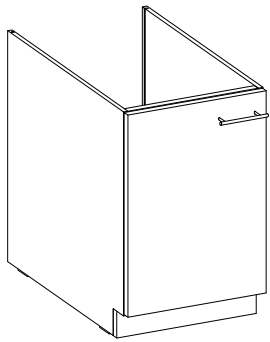
4 50 ZL 1F BB



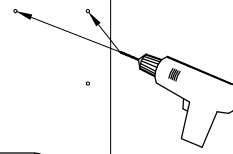
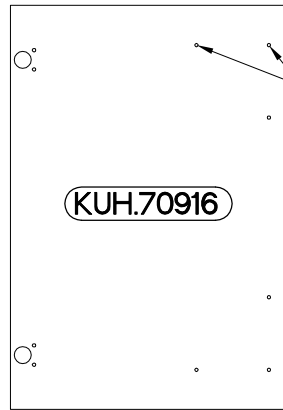
LEFT



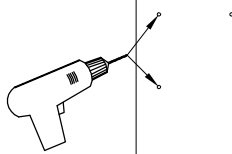
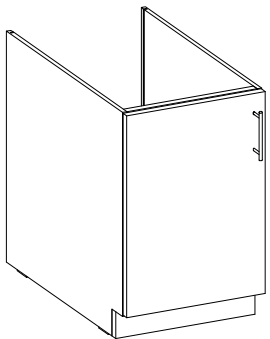
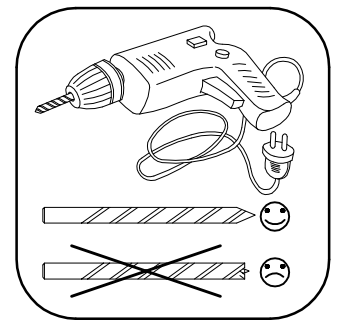
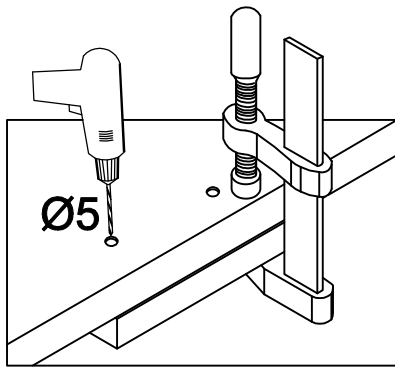
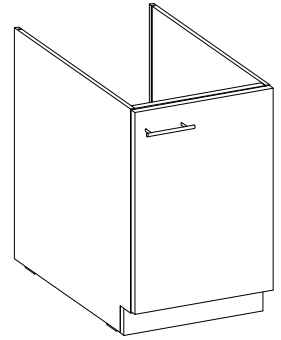
RIGHT



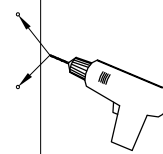
KUH.70916



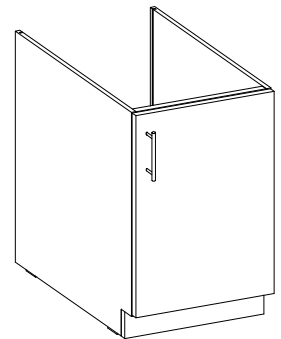
KUH.70916





KUH.70916

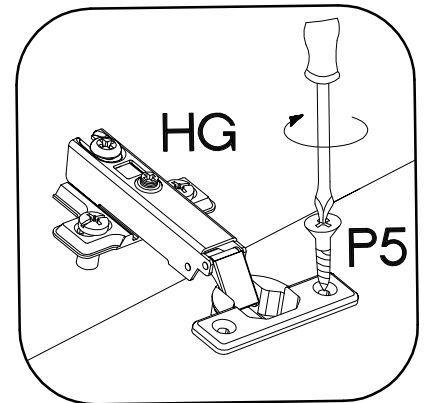
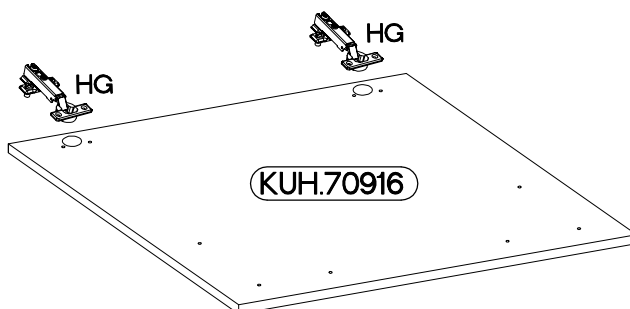


KUH.70916





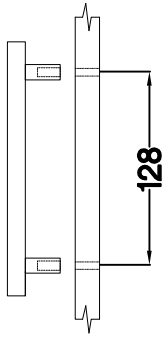
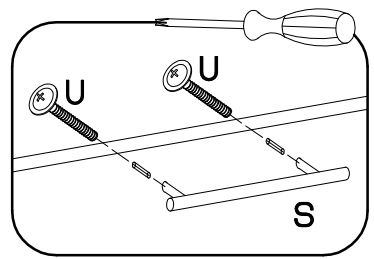
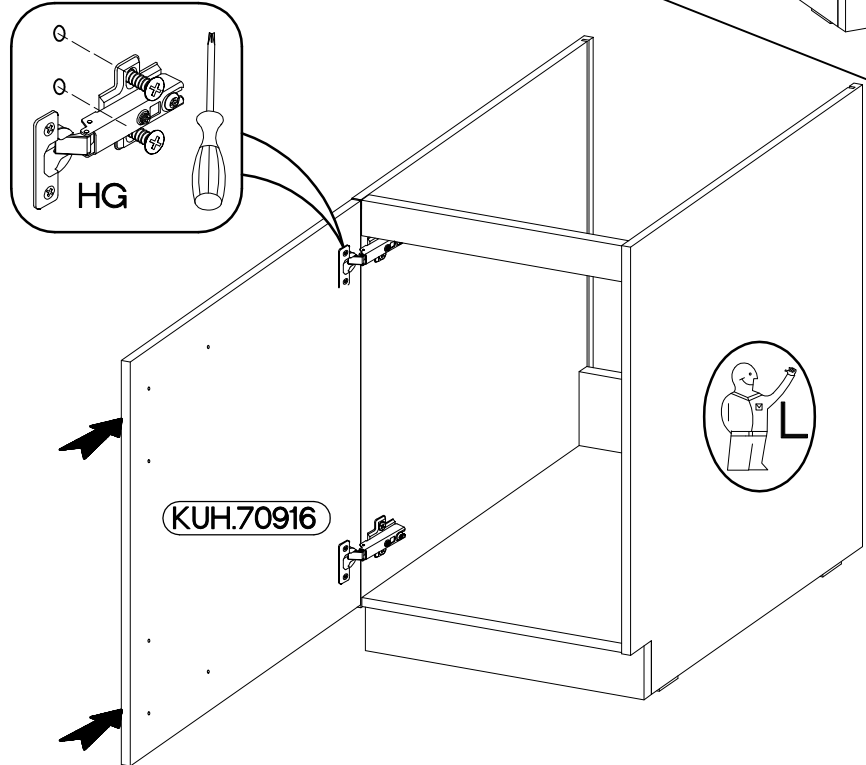
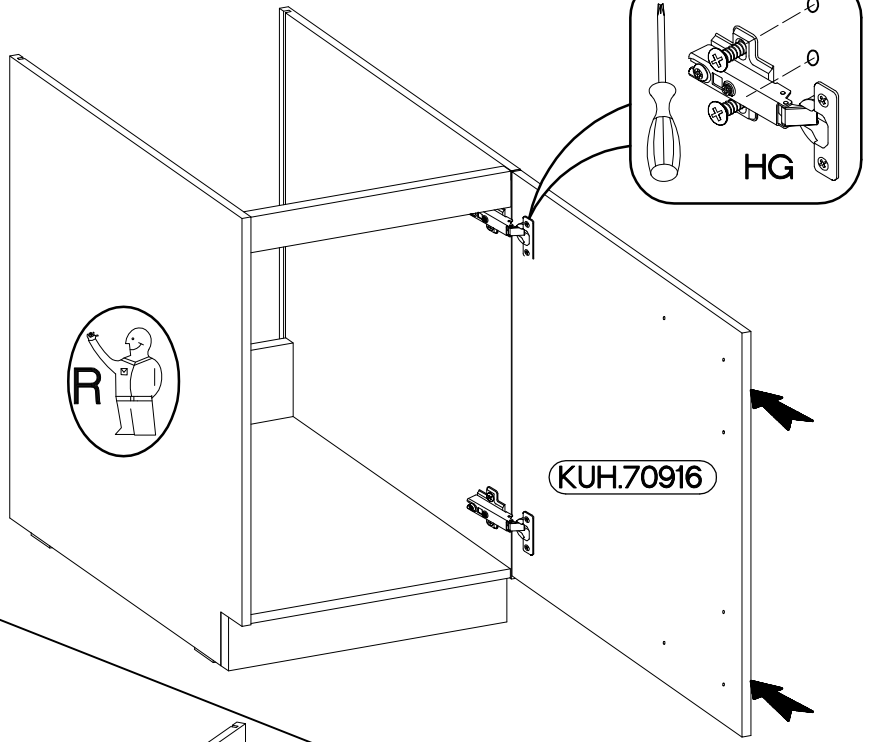
5

 †35/0mm [CD] HG 2	 †3.5x13mm P5 4
--	---



6

M4x22mm  U 2	L=128mm  S 1
---	--



VARIANT HIGH GLOSS

