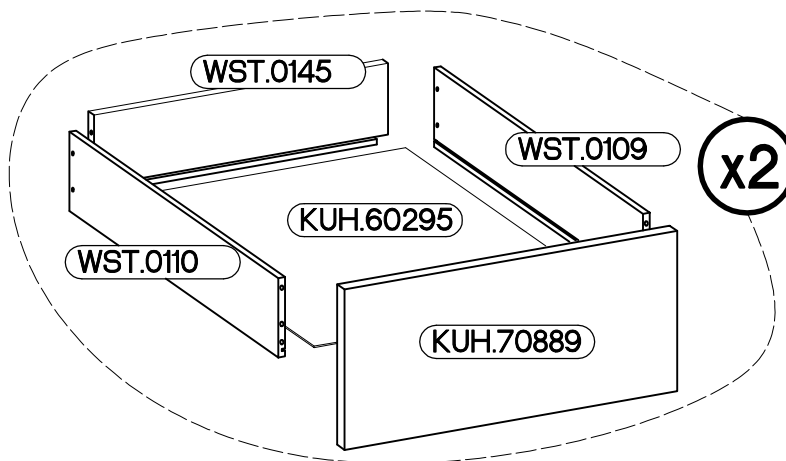
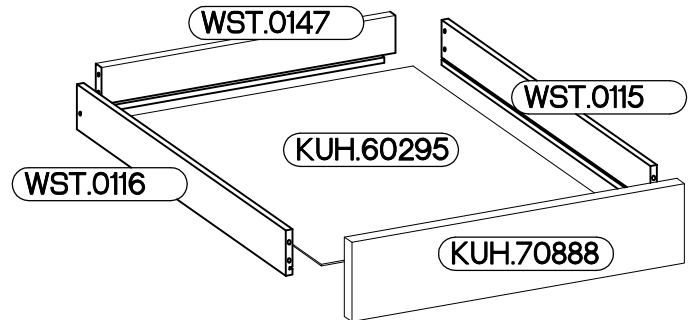
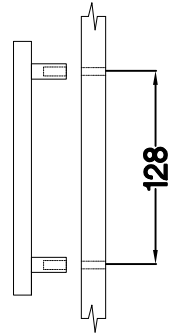
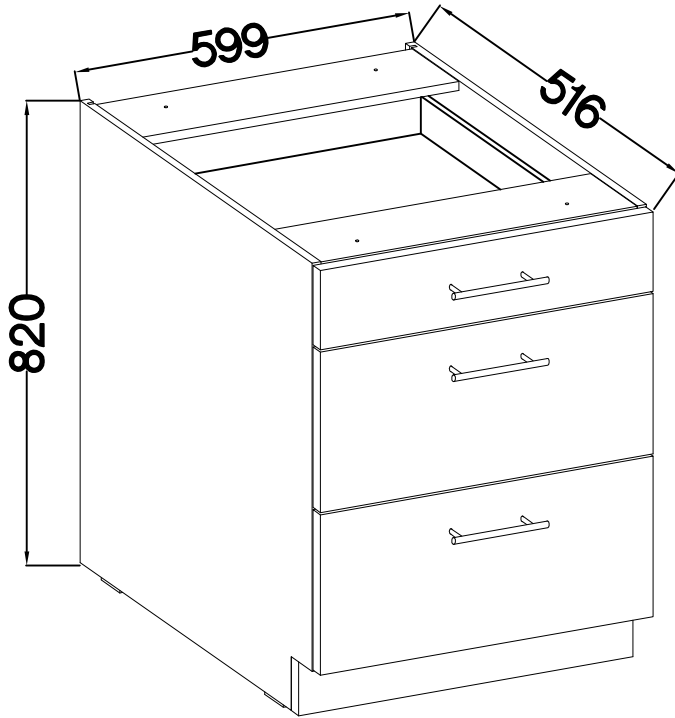
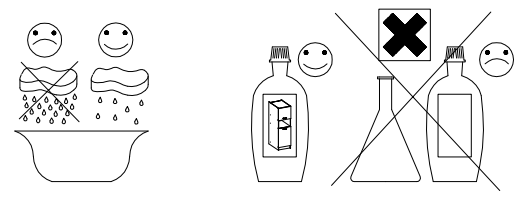




60 D 3S BB -
QUADRO
FRONT


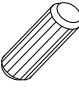



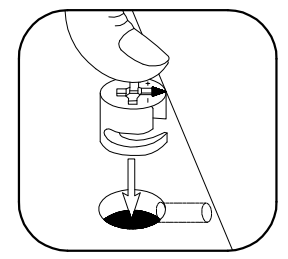
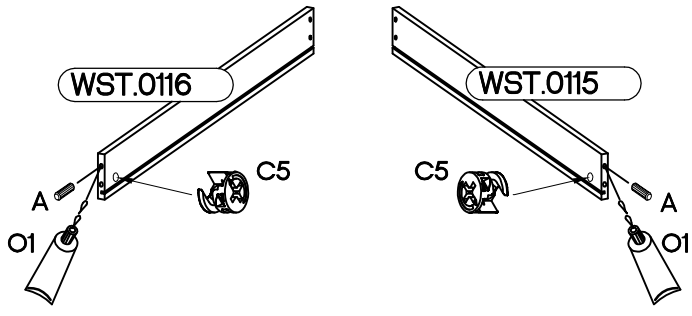
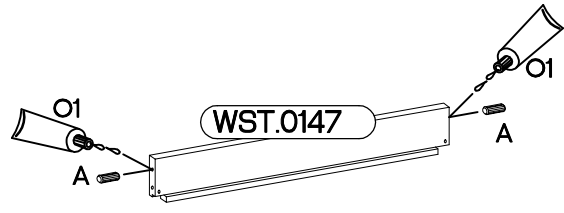
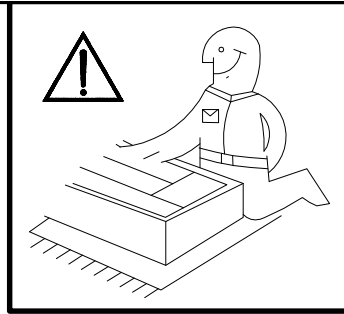
M4x22mm	L=128mm
	
U	S
6	3





ISM-KUH-01647

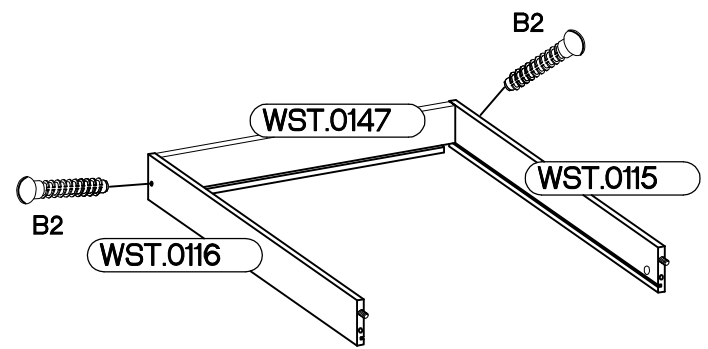
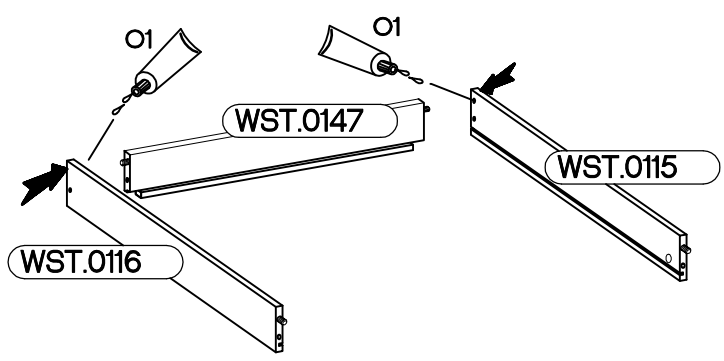
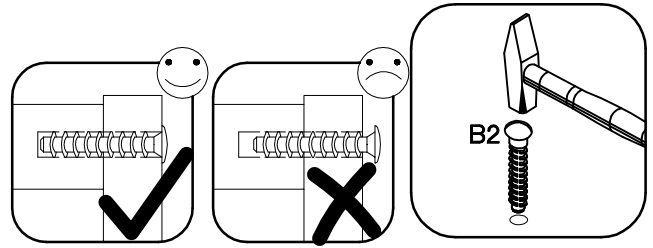
1

$\pm 12/10\text{mm}$  C5 2	$\pm 8 \times 30\text{mm}$  A 4	 O1 1
--	---	--

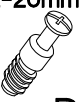


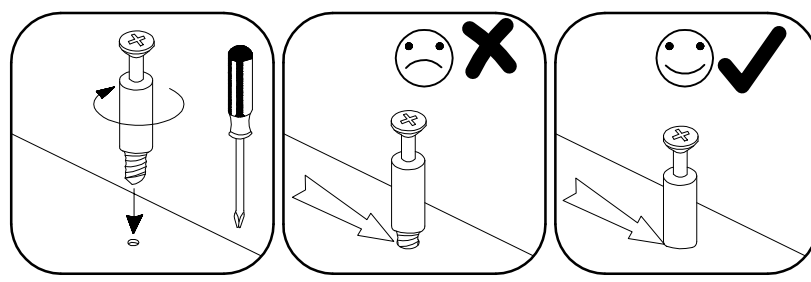
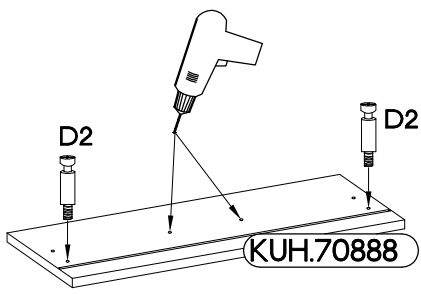
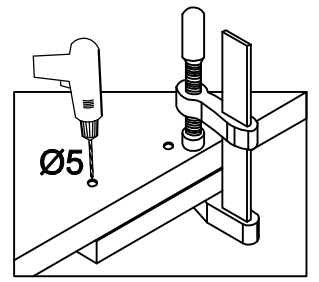
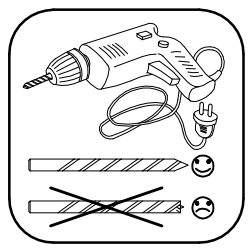
2

$\pm 6 \times 42\text{mm}$  B2 2	 O1 1
---	---

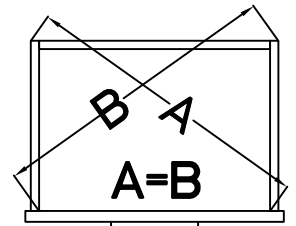
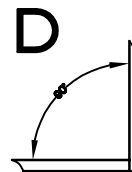
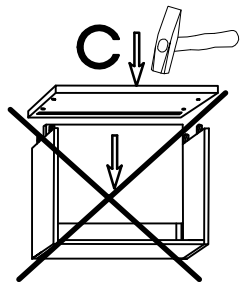
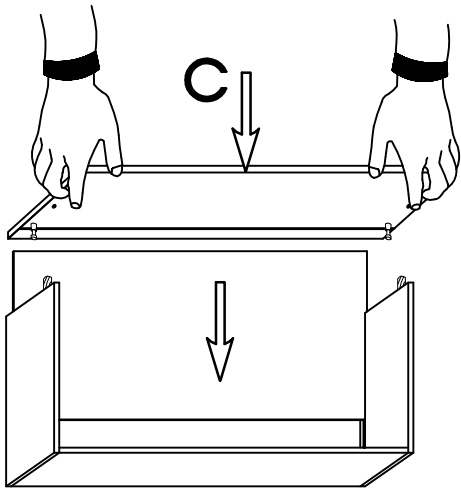
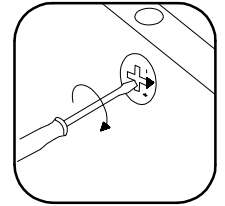
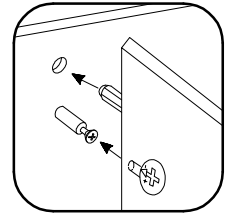
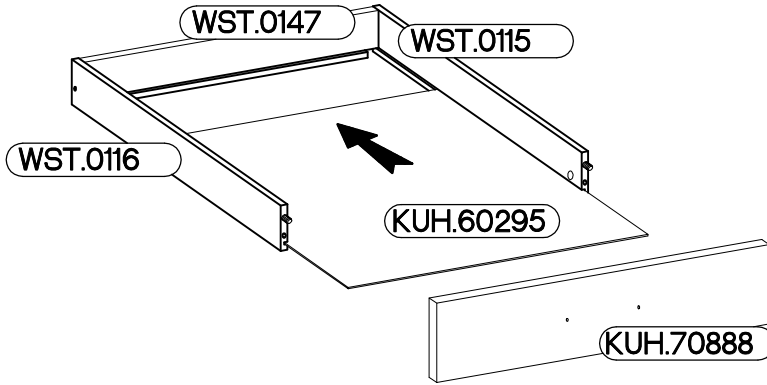
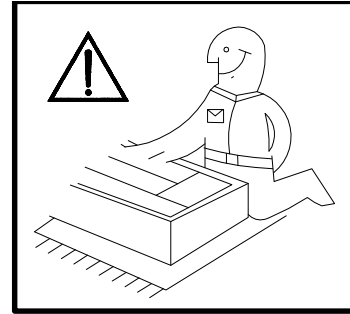
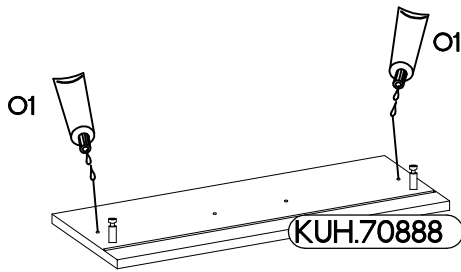
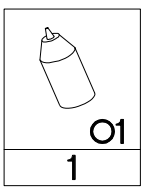


3

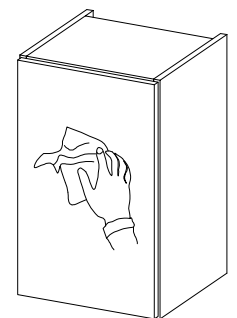
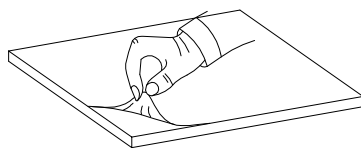
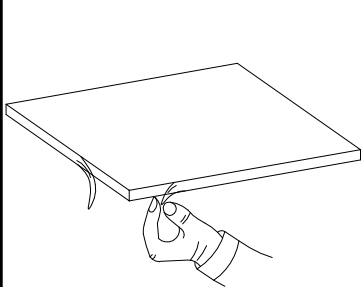
$L=20\text{mm}$  D2 2
--



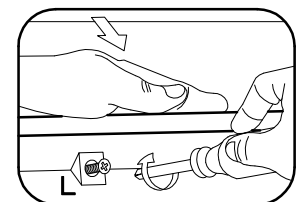
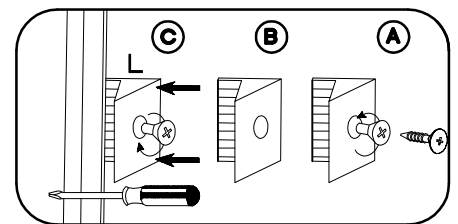
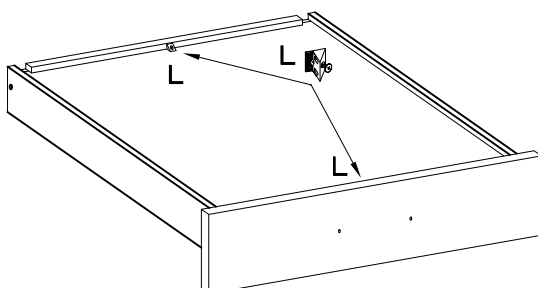
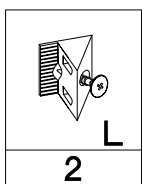
4




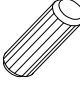

VARIANT HIGH GLOSS



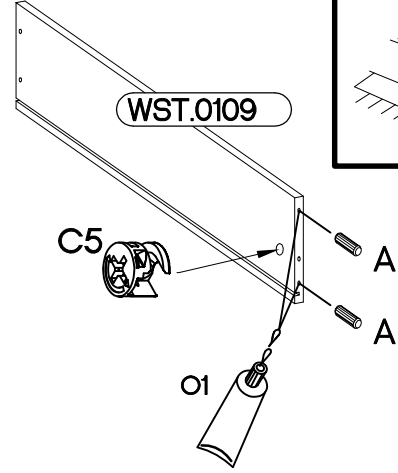
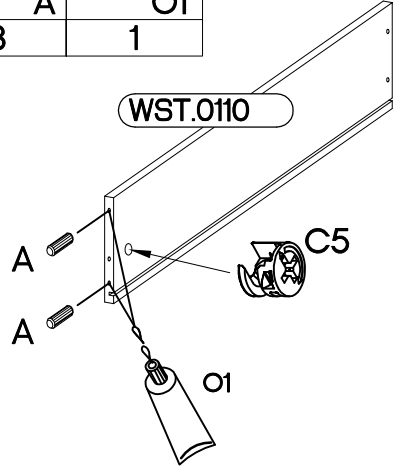
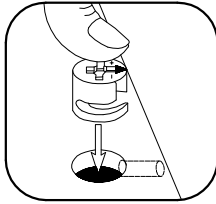
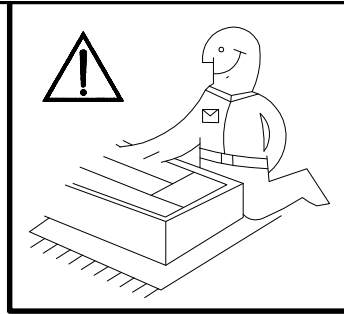
5




6

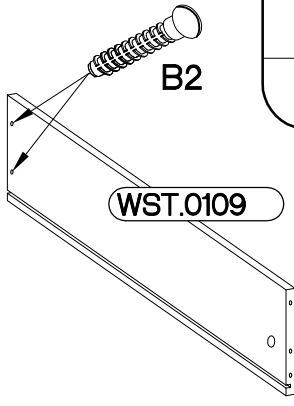
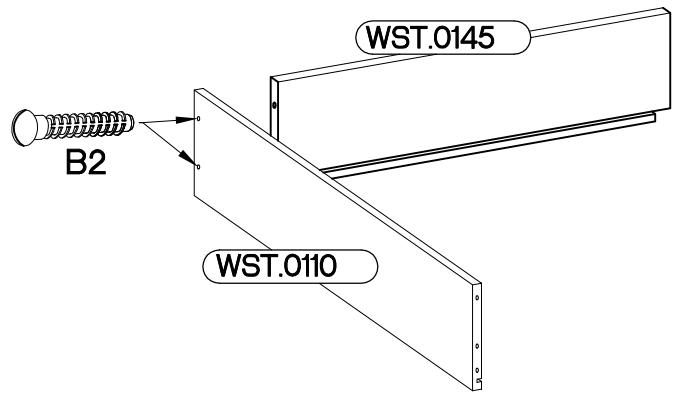
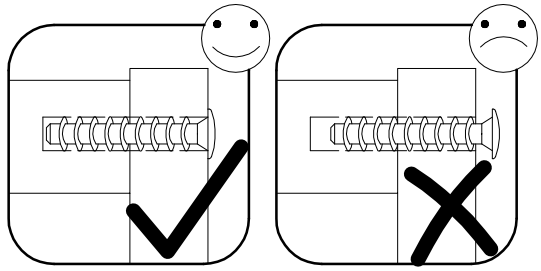
±12/10mm  C5 4	±8x30mm  A 8	 O1 1
---	---	---

x2

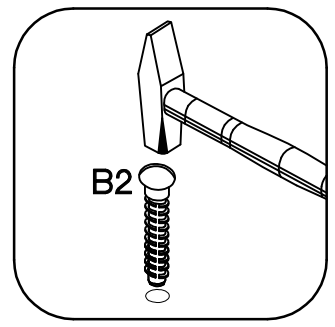


7


±6x42mm  B2 8



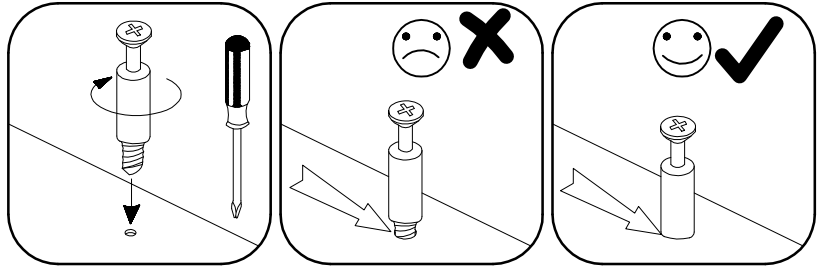
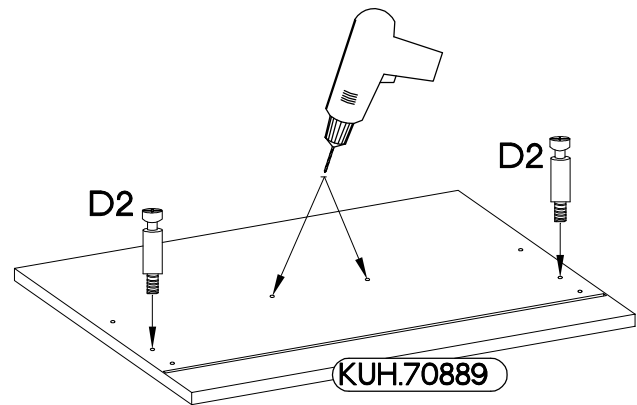
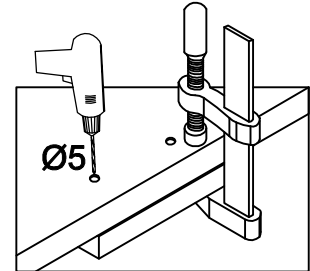
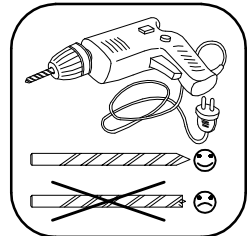
x2



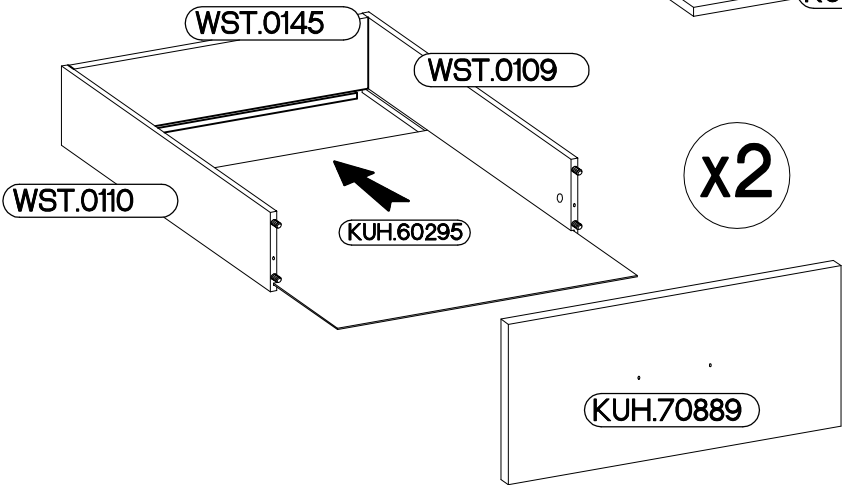
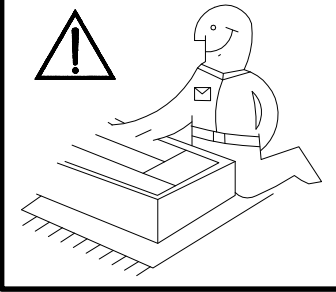
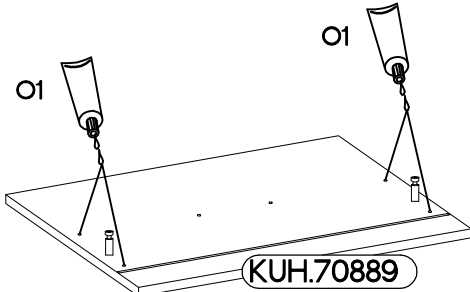
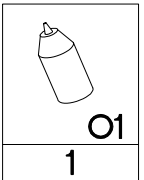
8

L=20mm  D2 4
--

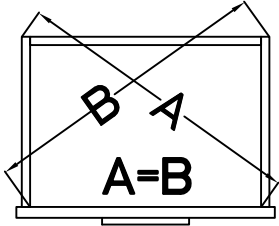
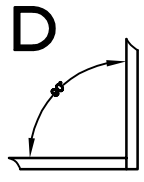
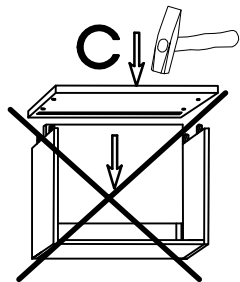
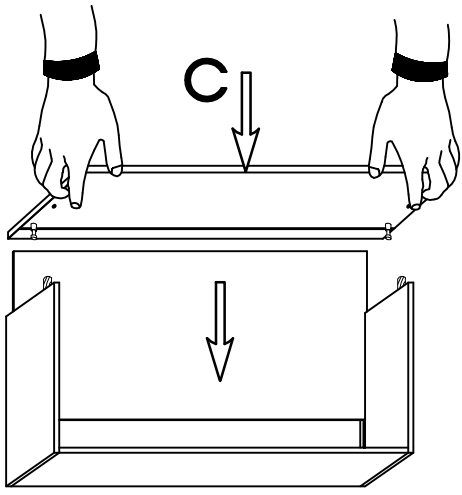
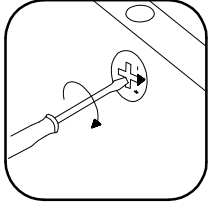
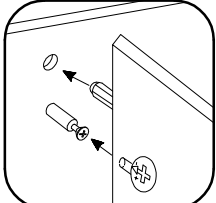
x2



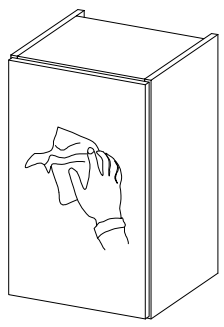
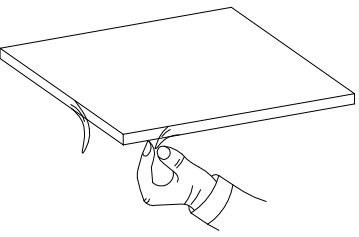
9



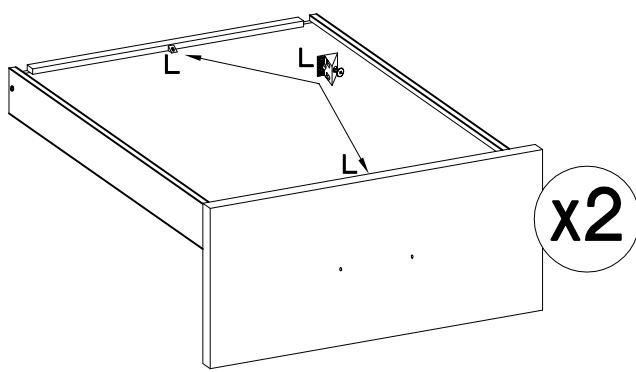
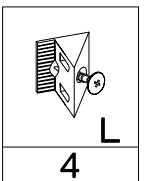
x2



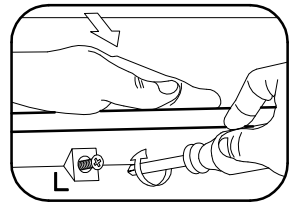
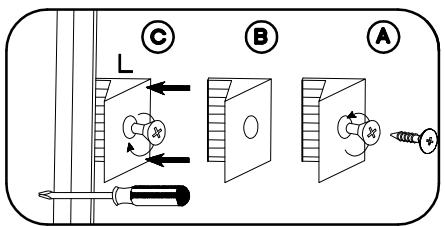
VARIANT HIGH GLOSS

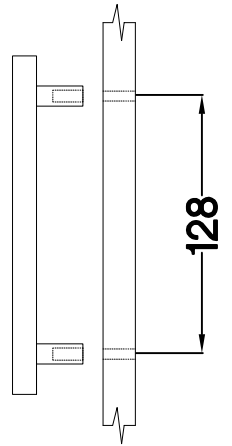
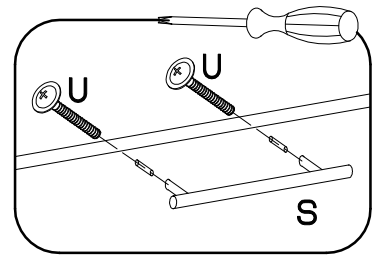
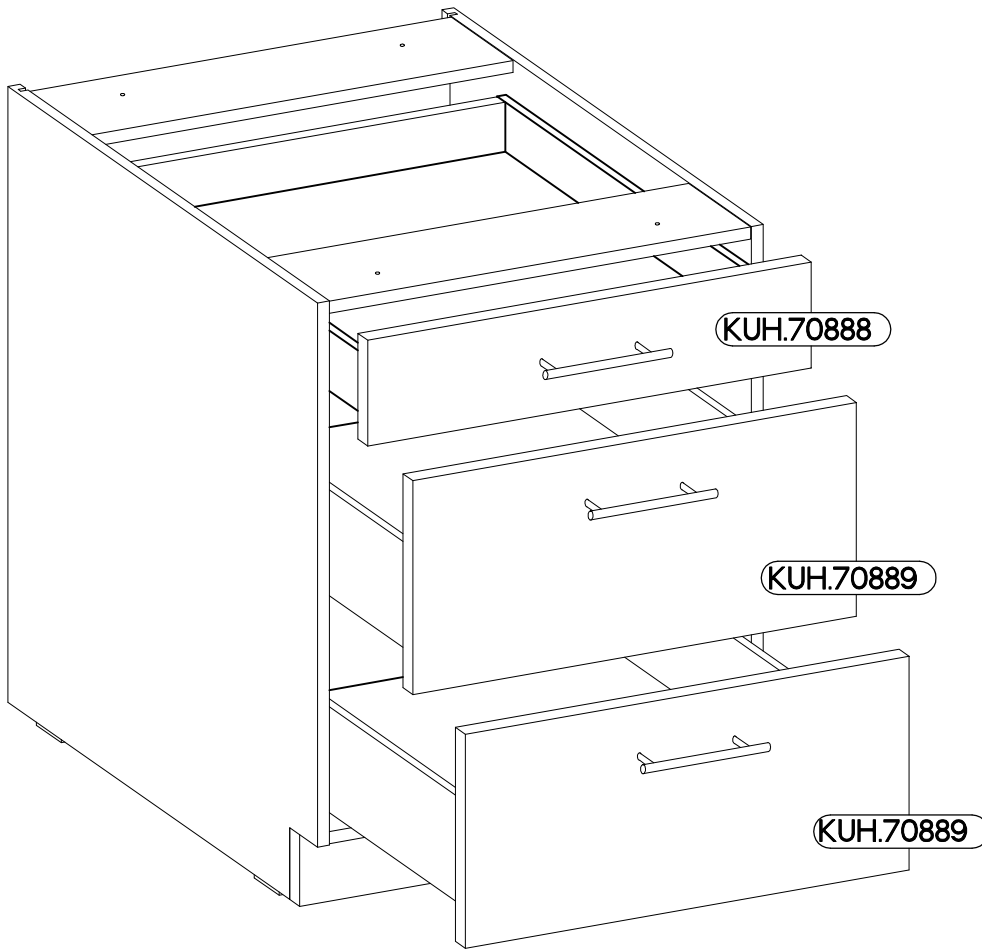


10

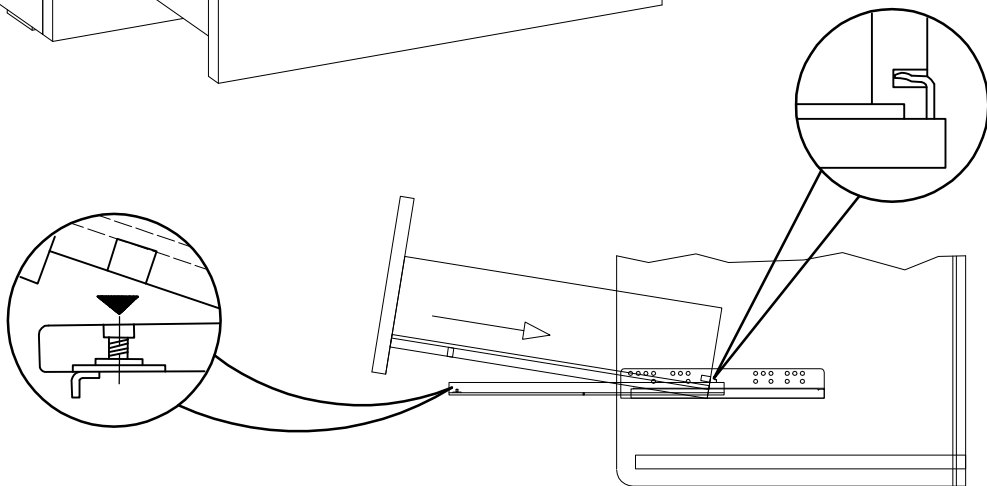


x2

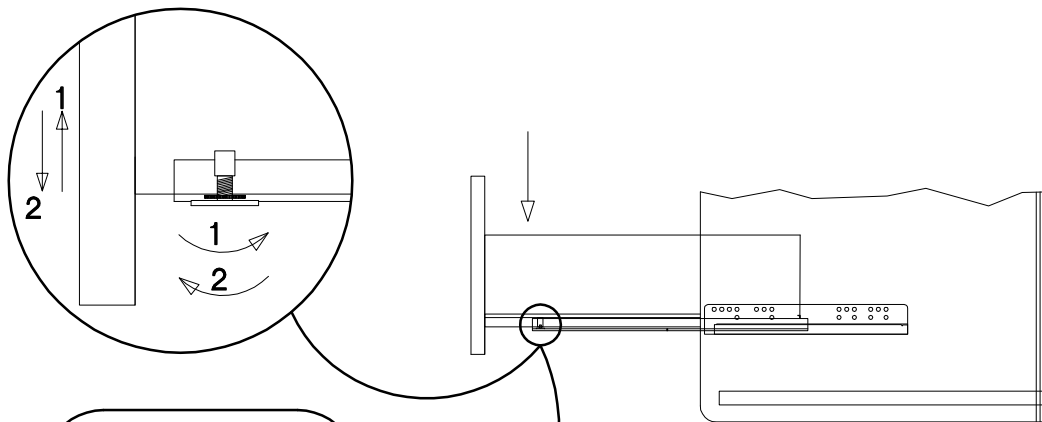




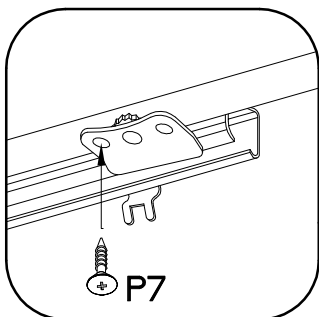
1.






2.



3.



M4x22mm	L=128mm	φ3.0x20mm
		
U	S	P7
6	3	6