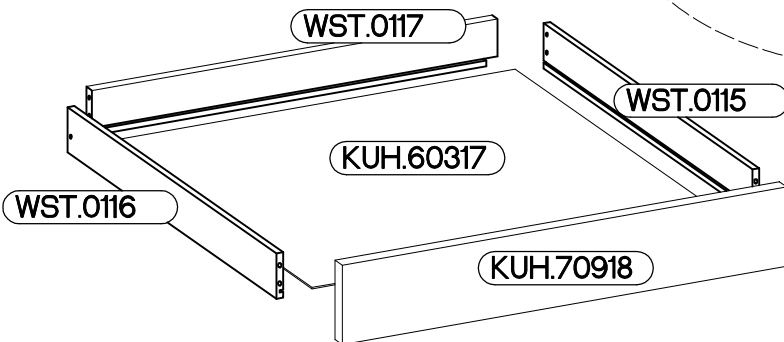
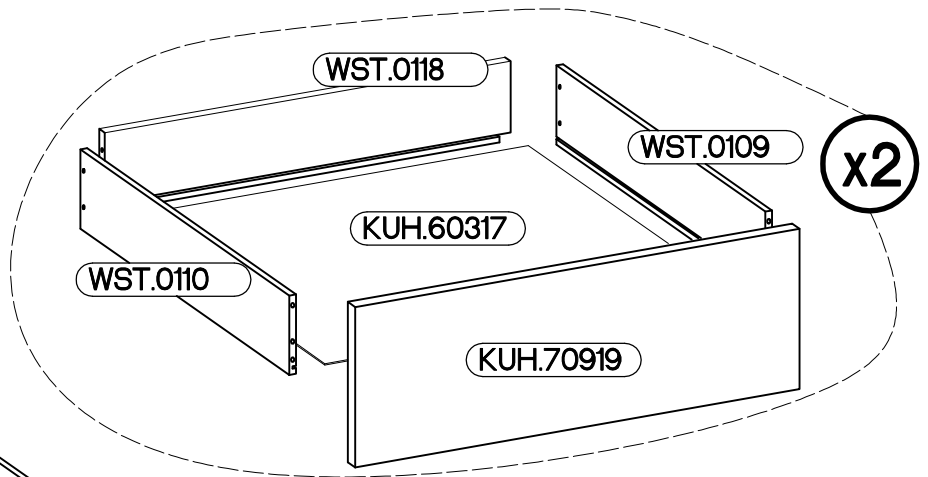
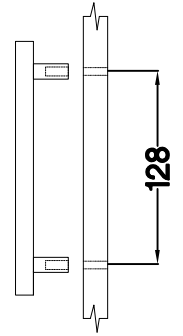
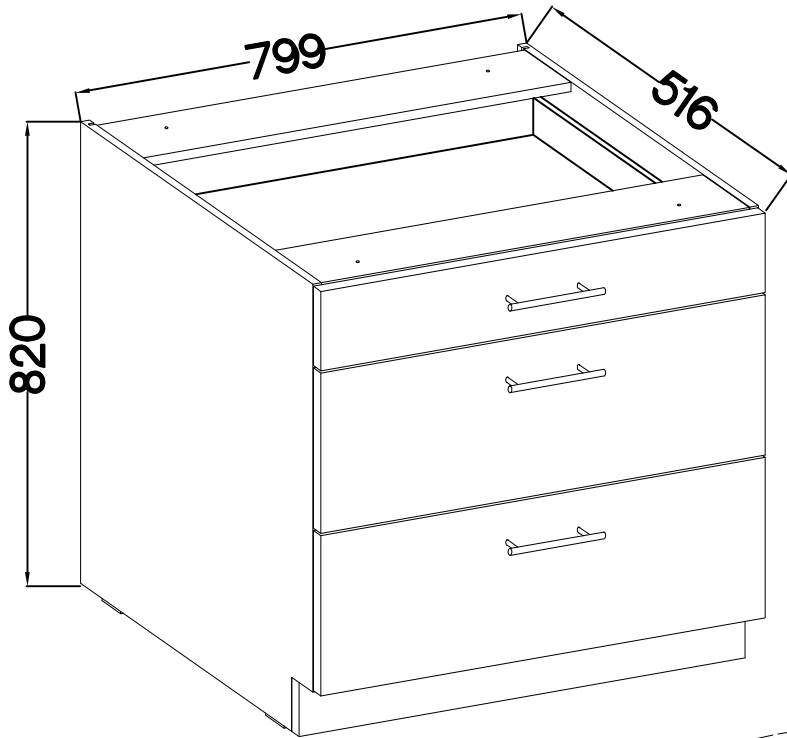
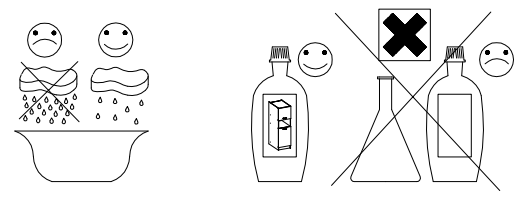


80 D 3S BB -
QUADRO
FRONT


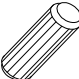



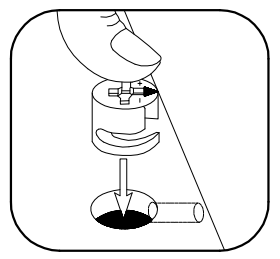
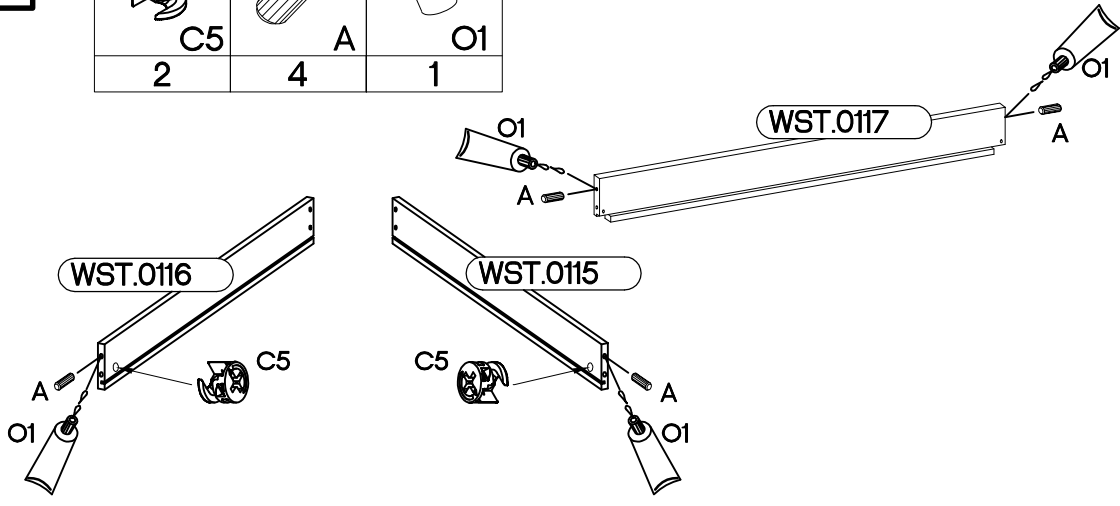
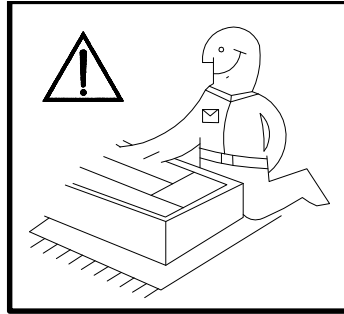
M4x22mm	L=128mm
U	S
6	3





ISM-KUH-01655

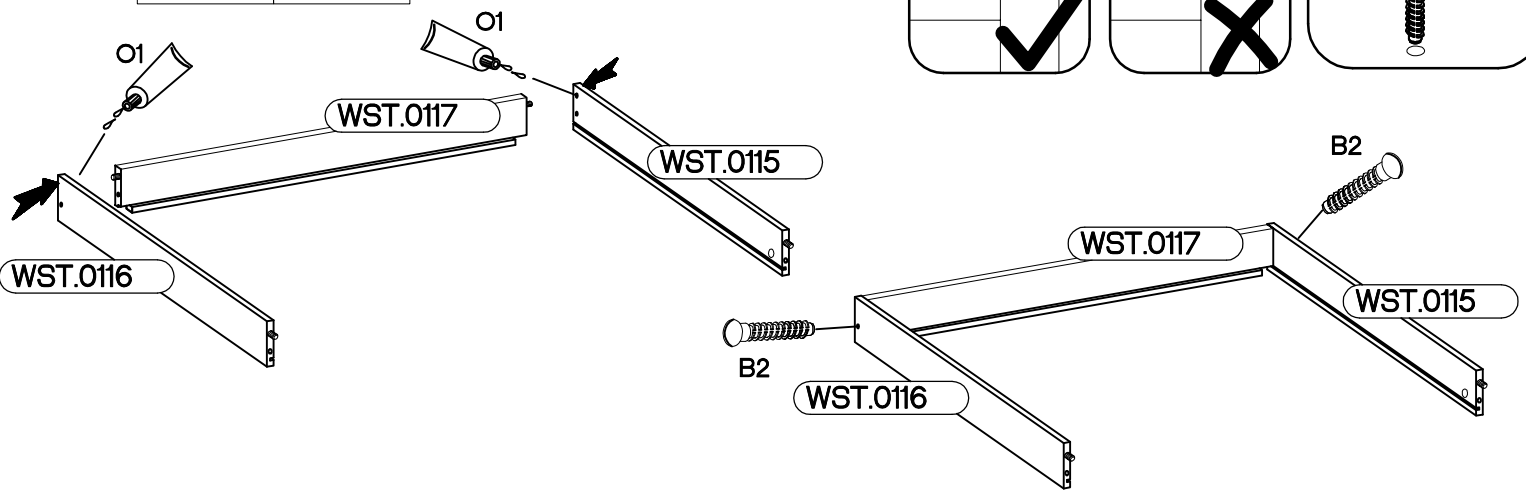
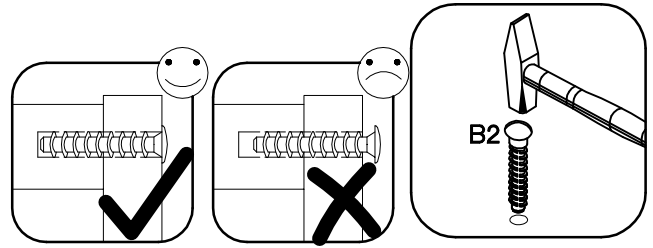
1

+12/10mm  C5 2	+8x30mm  A 4	 O1 1
---	---	---

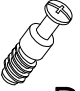


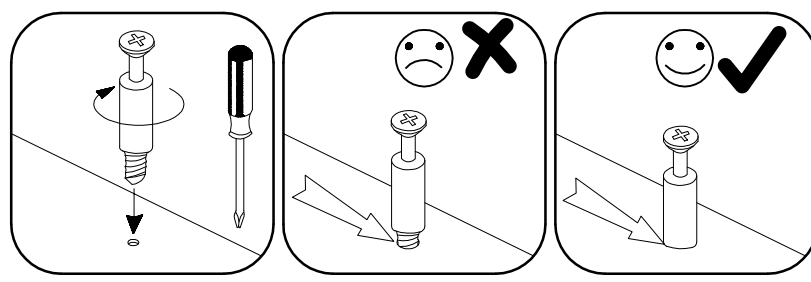
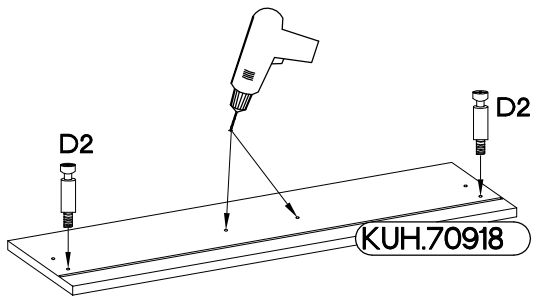
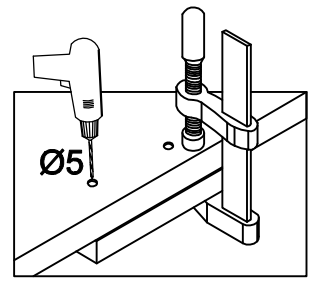
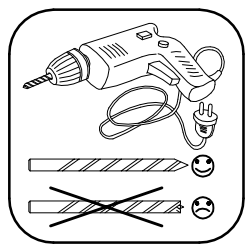
2

+6x42mm  B2 2	 O1 1
---	--

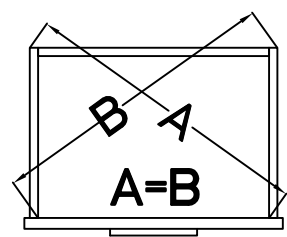
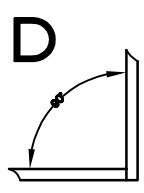
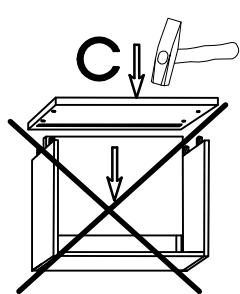
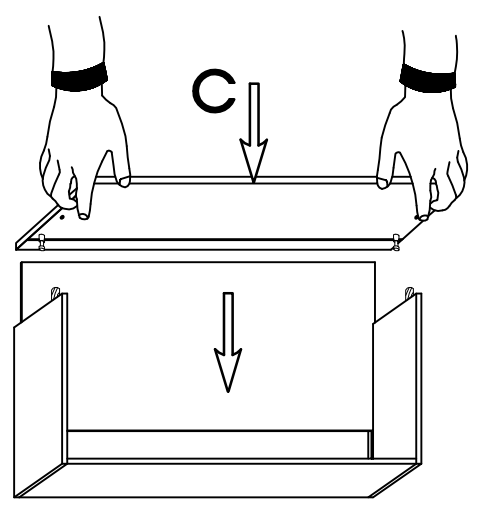
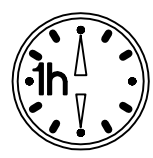
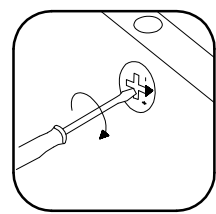
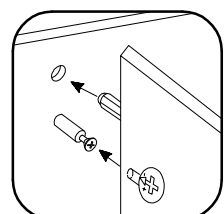
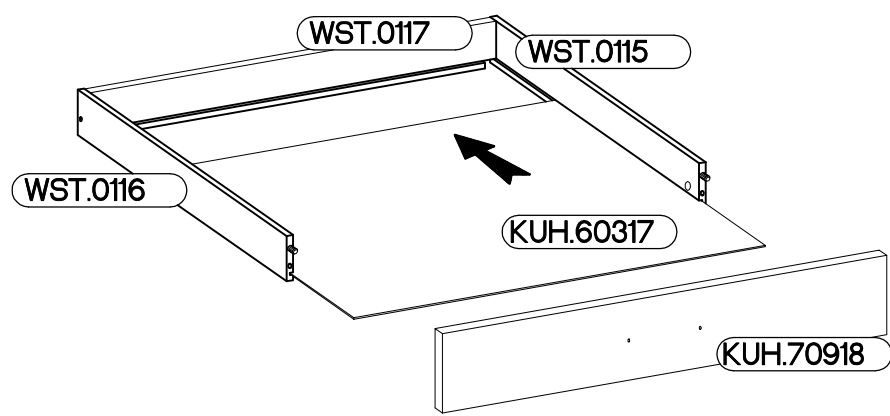
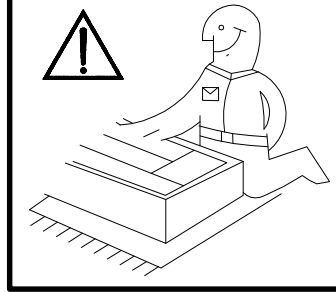
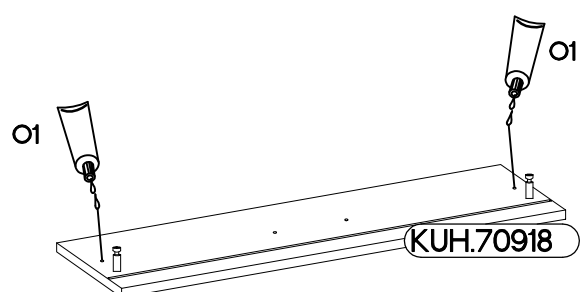
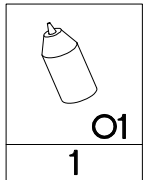


3

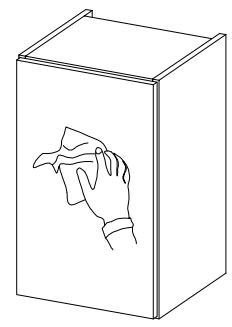
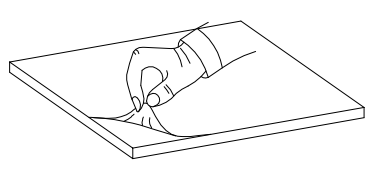
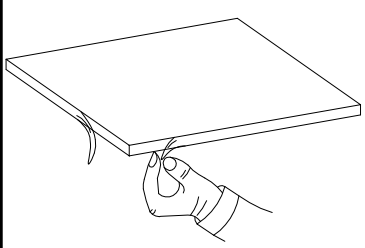
L=20mm  D2 2
--



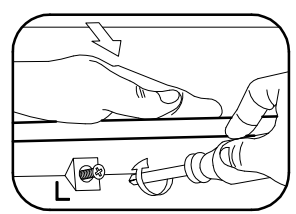
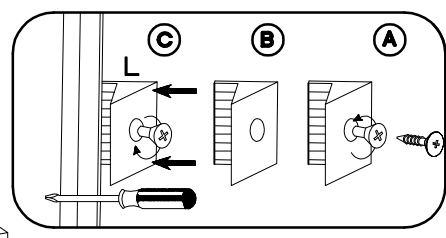
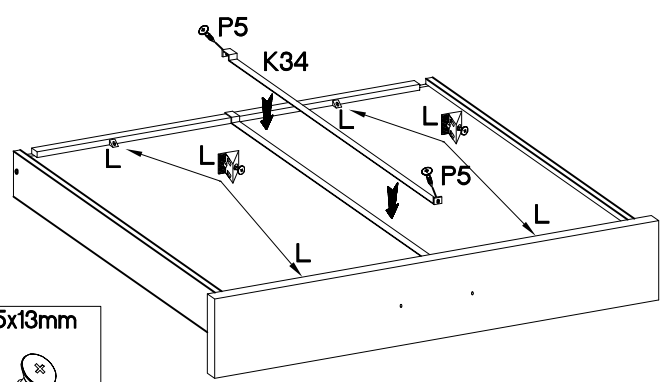
4



VARIANT HIGH GLOSS


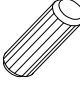



5

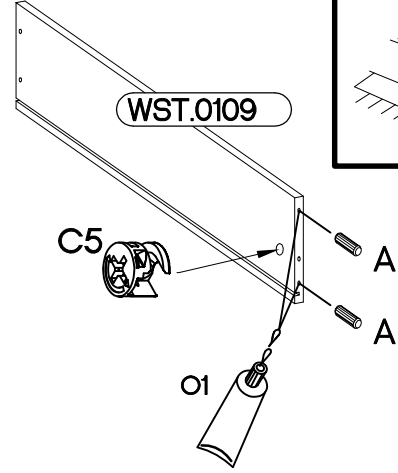
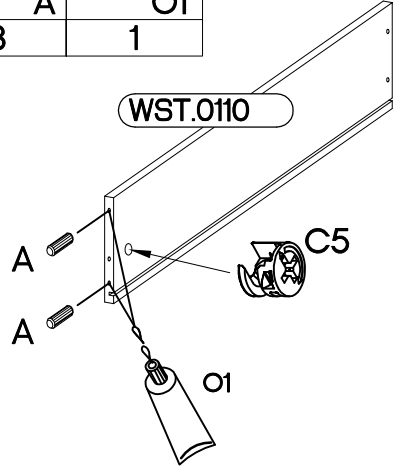
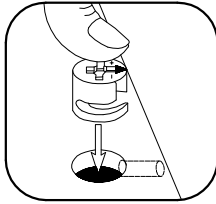
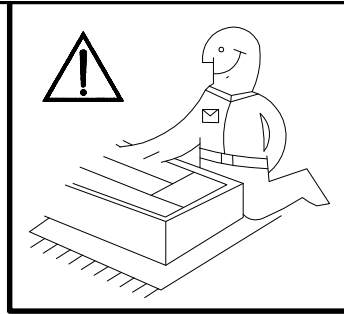


	L=450 mm		
L		K34	P5
4	1		2


6

$\pm 12/10\text{mm}$  C5 4	$\pm 8 \times 30\text{mm}$  A 8	 O1 1
---	--	---

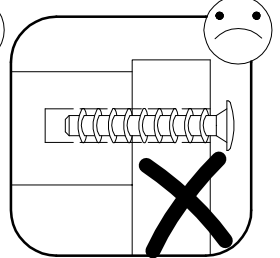
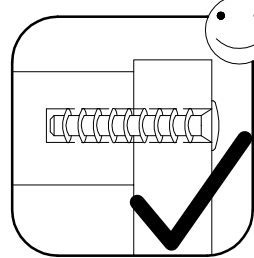
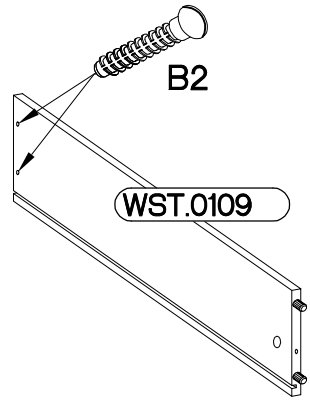
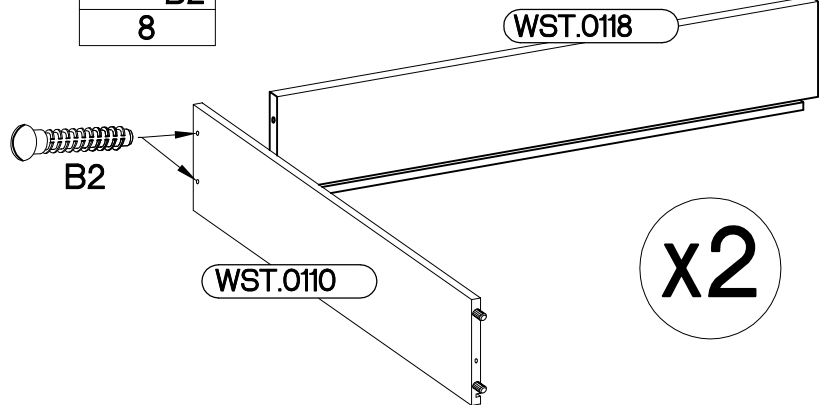
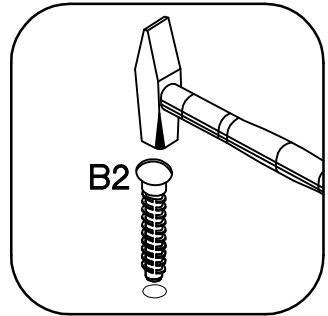
x2




7

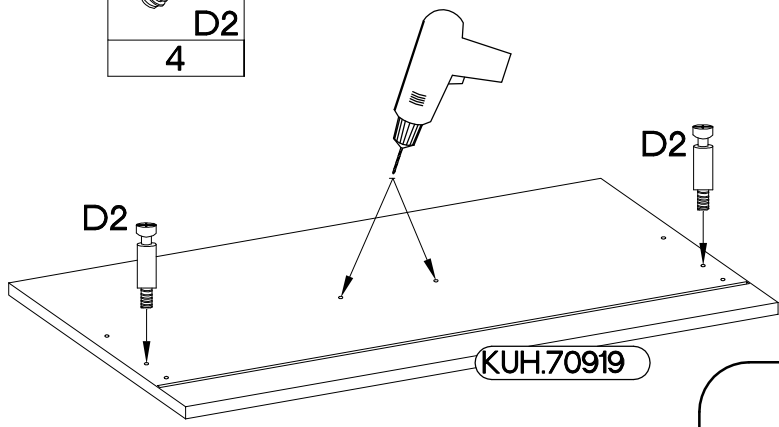
$\pm 6 \times 42\text{mm}$  B2 8
--

x2

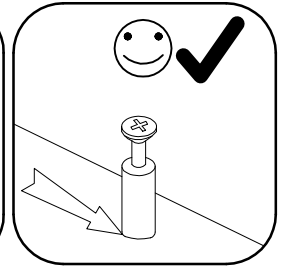
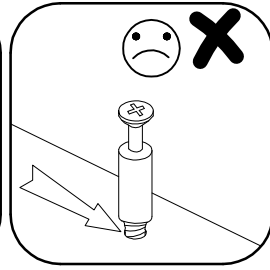
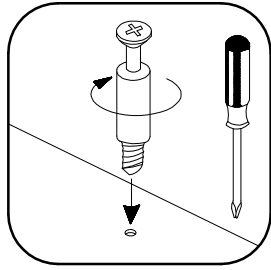
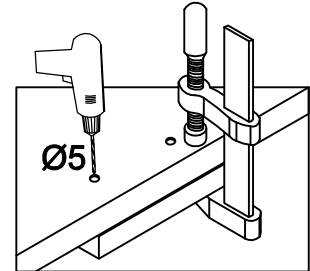
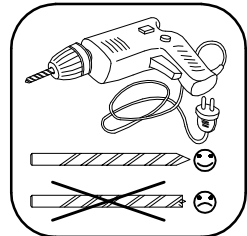


8

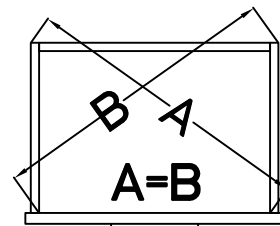
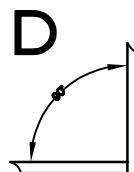
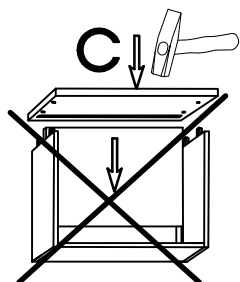
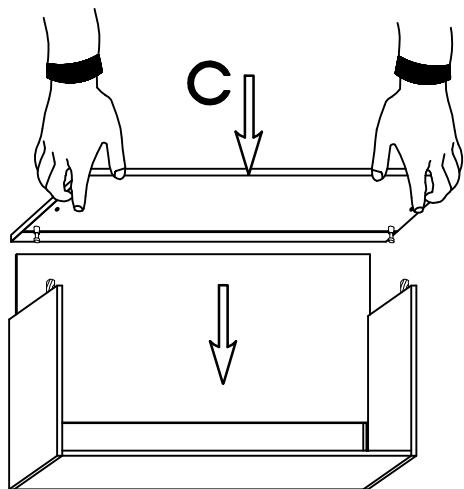
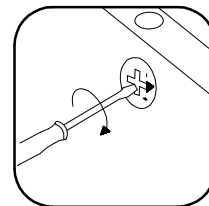
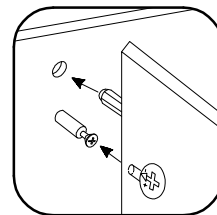
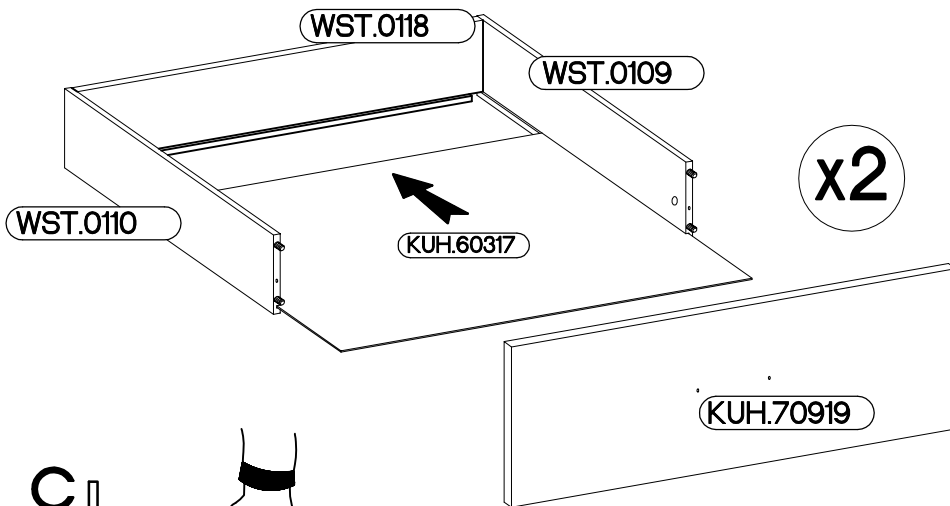
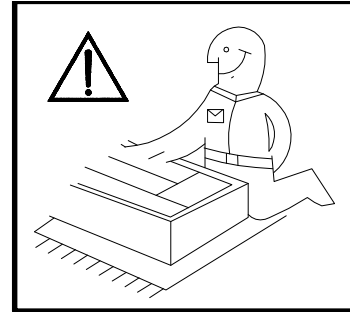
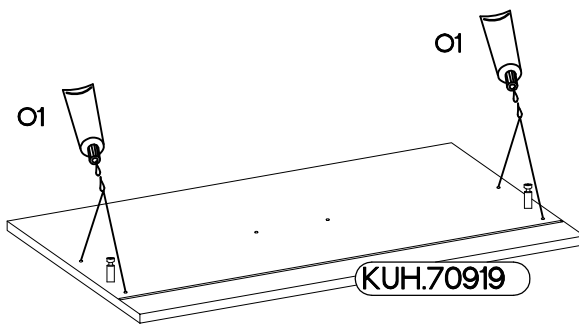
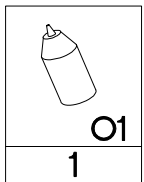
L=20mm  D2 4
--



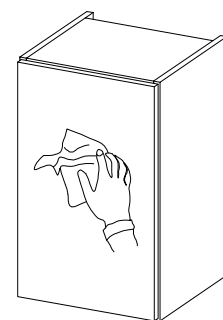
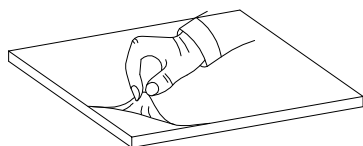
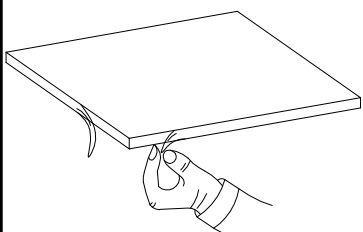
x2



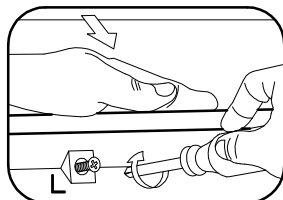
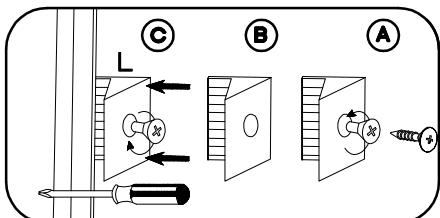
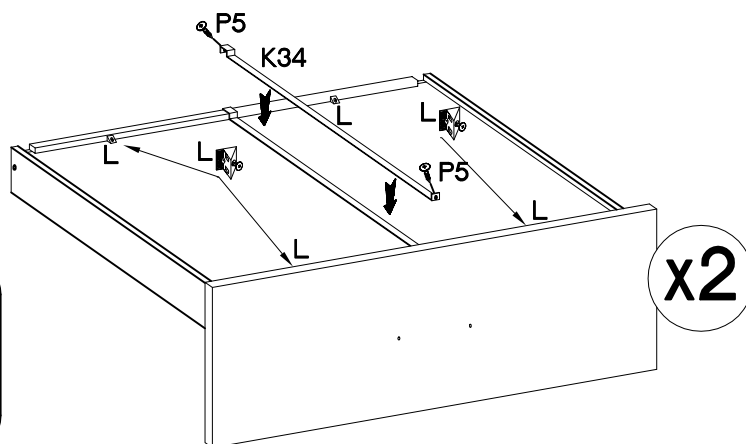
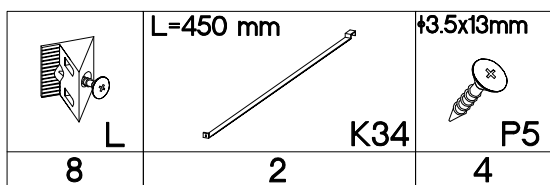
9

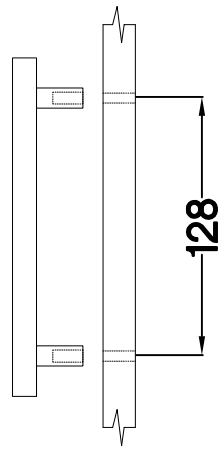
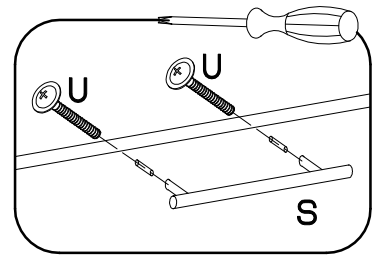
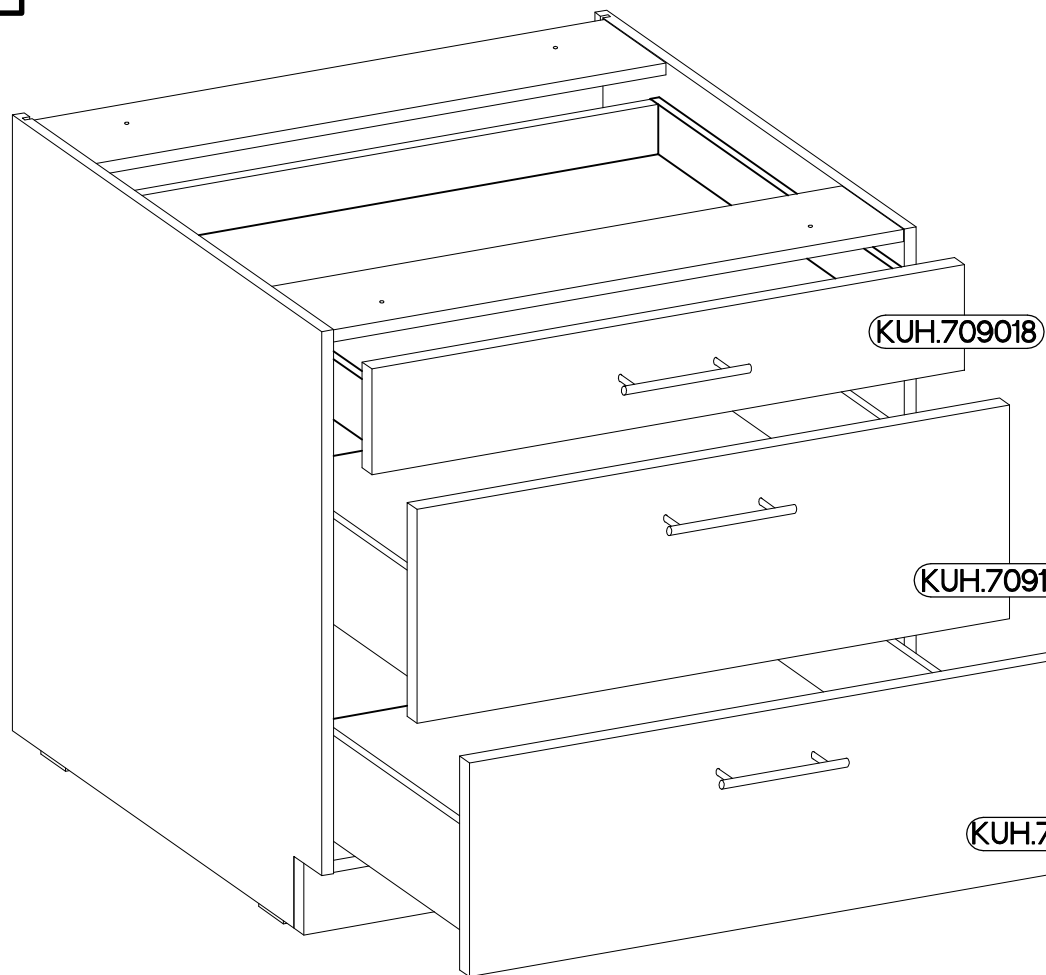


VARIANT HIGH GLOSS

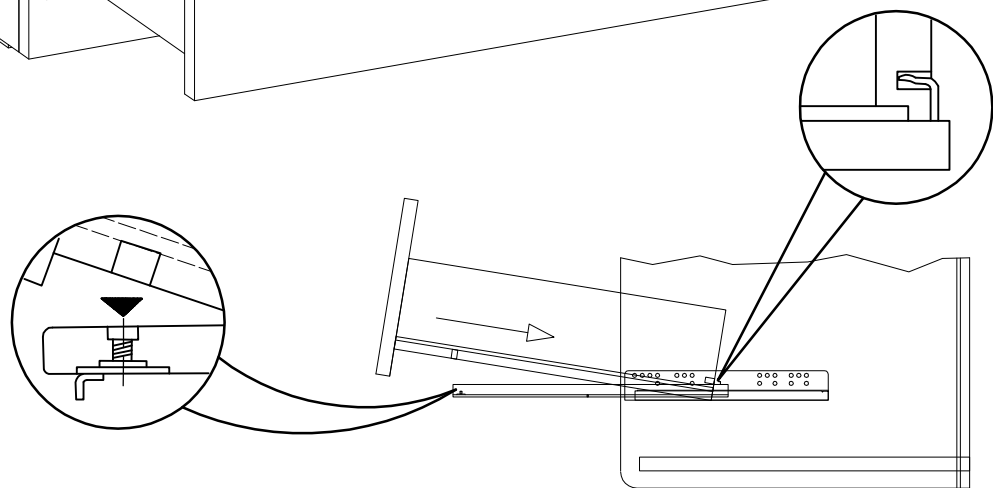


10

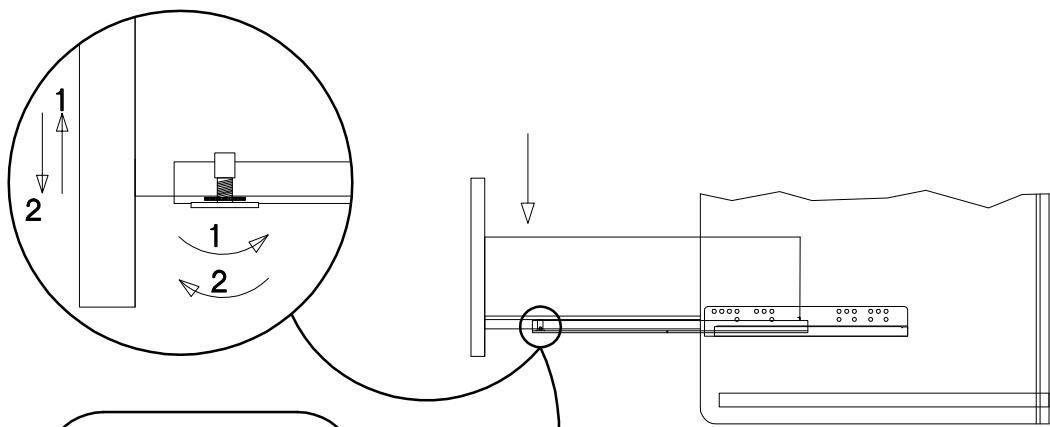




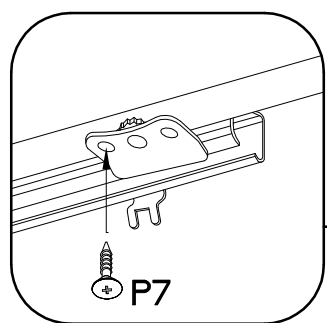
1.






2.



3.



M4x22mm	L=128mm	φ3.0x20mm
		
U 6	S 3	P7 6