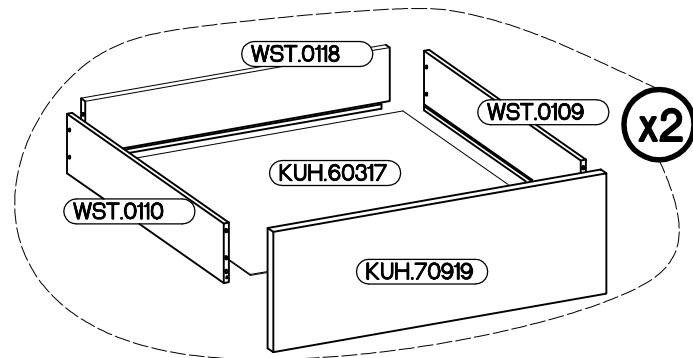
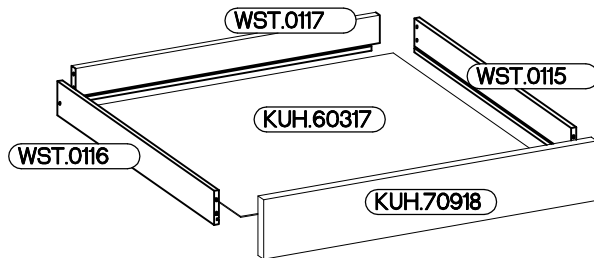
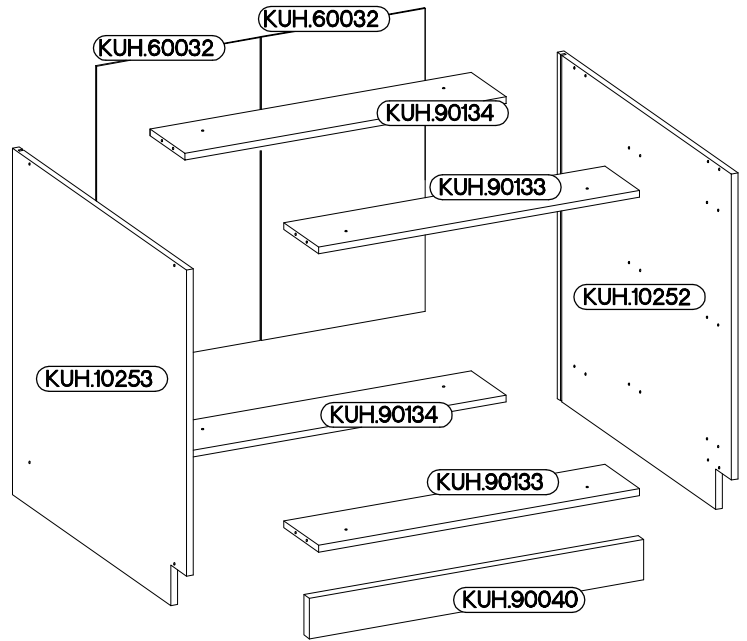
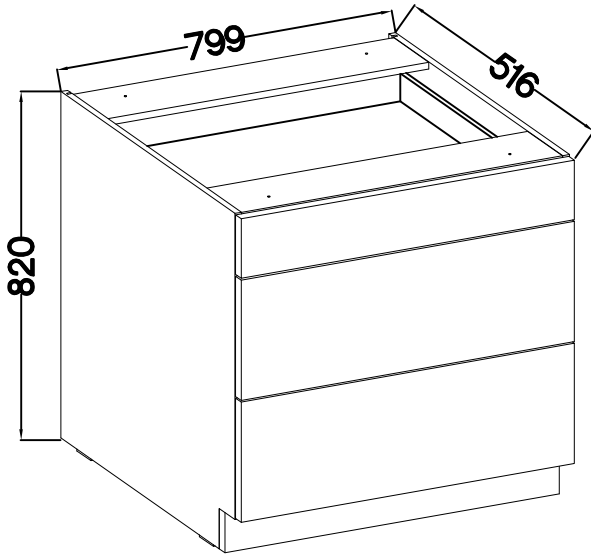
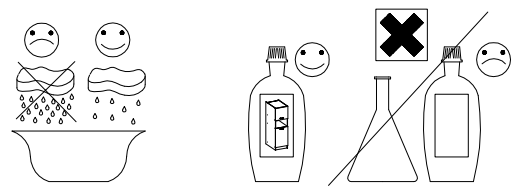


80 D 3S BB -
QUADRO

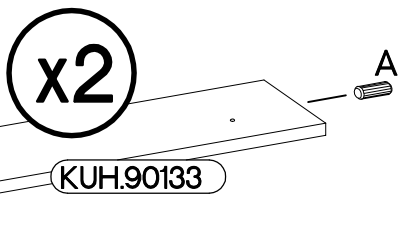
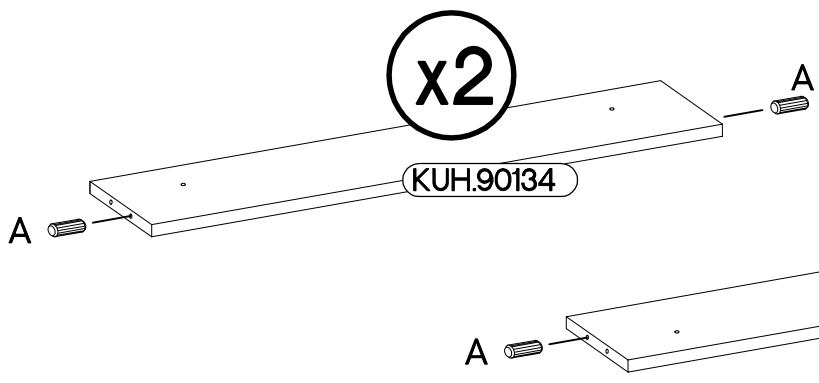
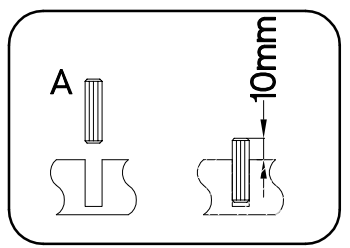
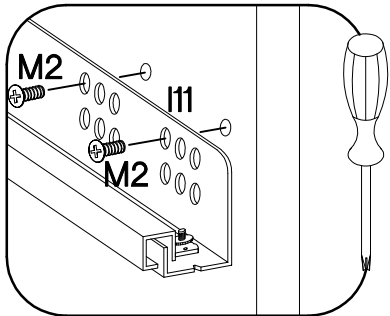
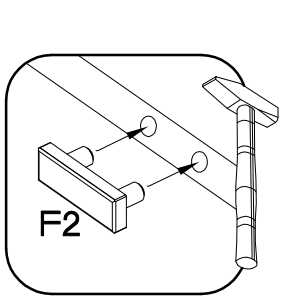
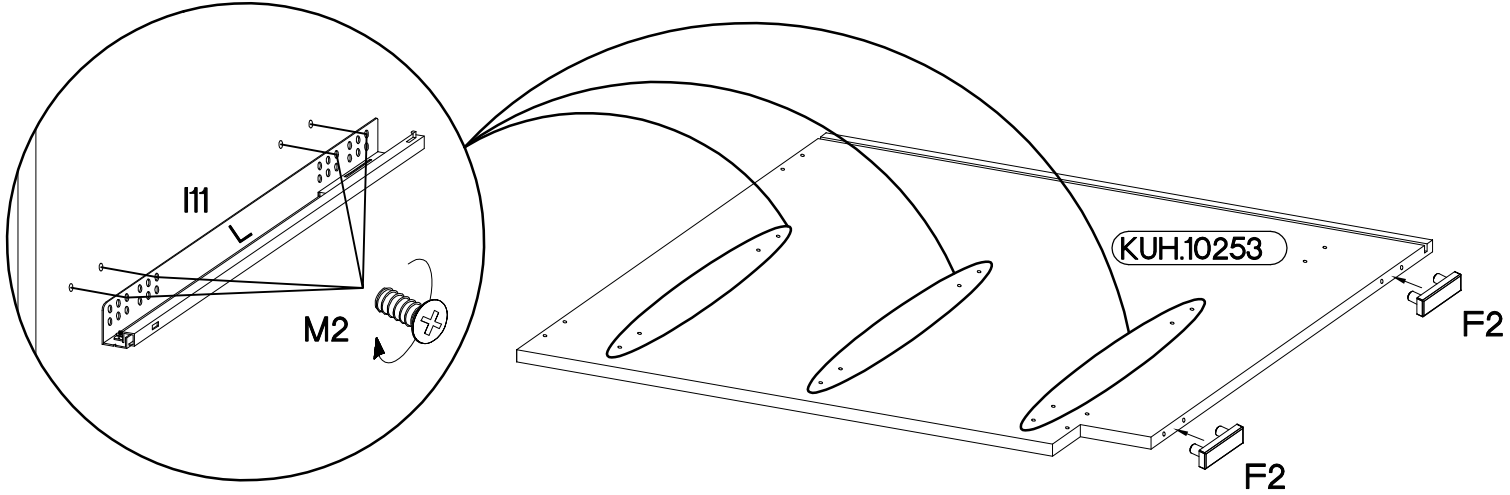
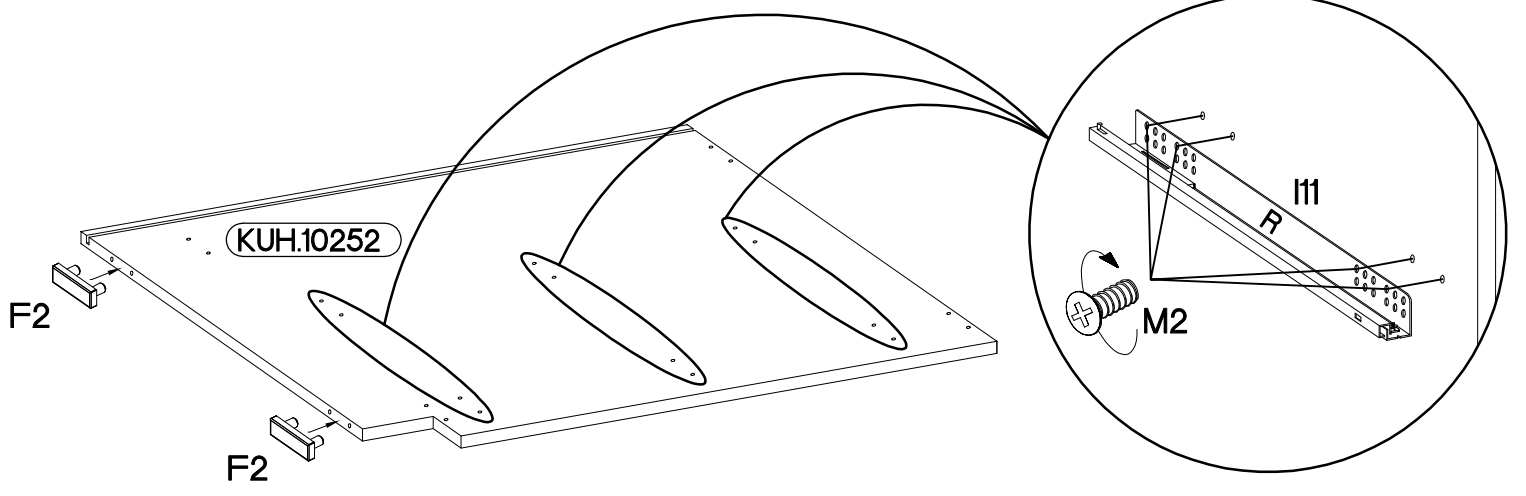
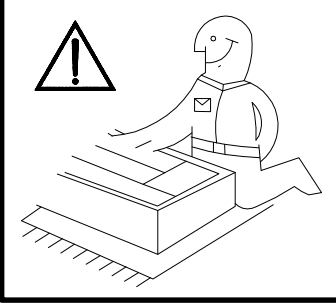


 A 20	 B 8					
 B2 10	 C5 6	 D2 6	 E1 8	 E9 2		
 L 3	 R 3	 I1 4	 F2 4	 K34 3	 L 12	 L1 1
 M2 24	 O 1	 O1 1	 P4 2	 P5 6	 P7 16	 R3 4

ISM-KUH-01630

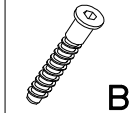
1

6.5x48x16 F2 4	±8x30mm A 8	L L=450mm 3	[CD] I11 R 111	+6.3x13mm M2 24
----------------------	-------------------	-------------------	----------------------	-----------------------



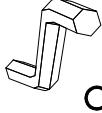
2

6,4 x 50mm



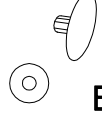
B

4



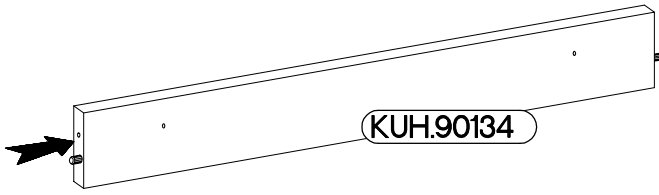
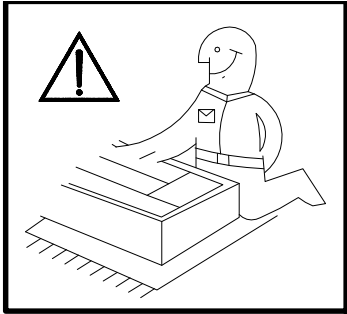
O

1

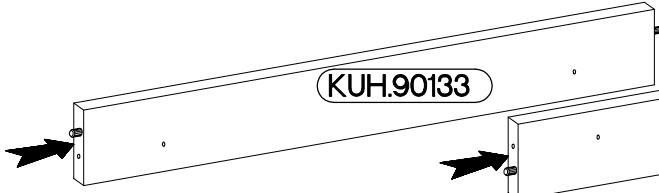


E1

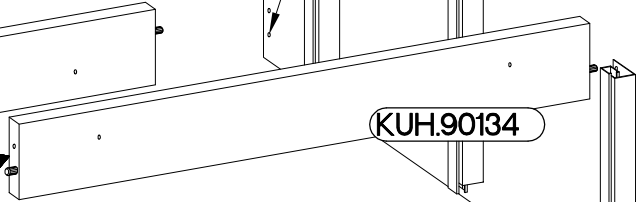
4



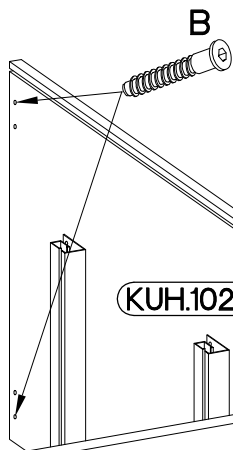
KUH.90134



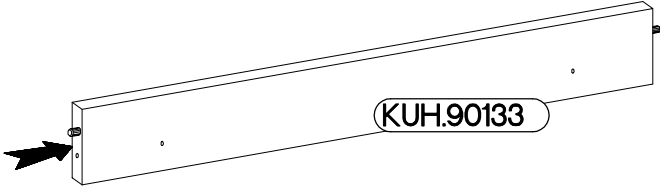
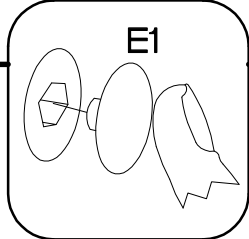
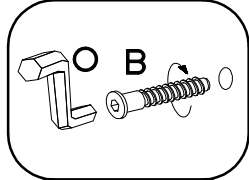
KUH.90133



KUH.90134

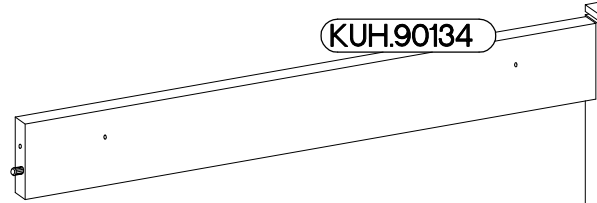


KUH.10253

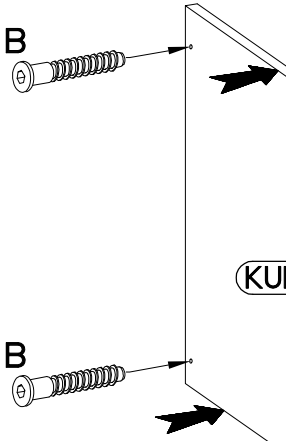


KUH.90133

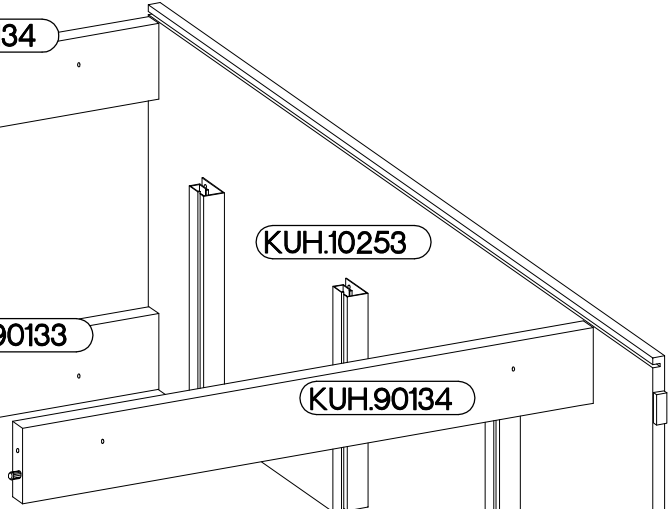
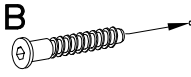
3



KUH.90134

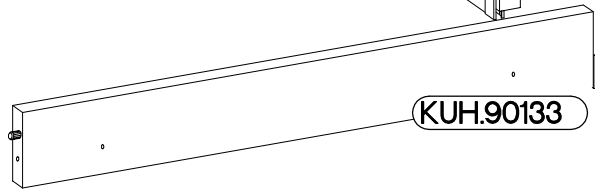


KUH.10252



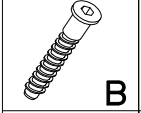
KUH.10253

KUH.90134



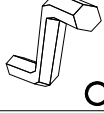
KUH.90133

6,4 x 50mm



B

4



O

1

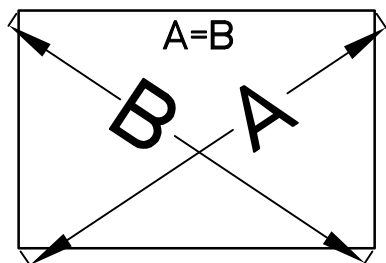
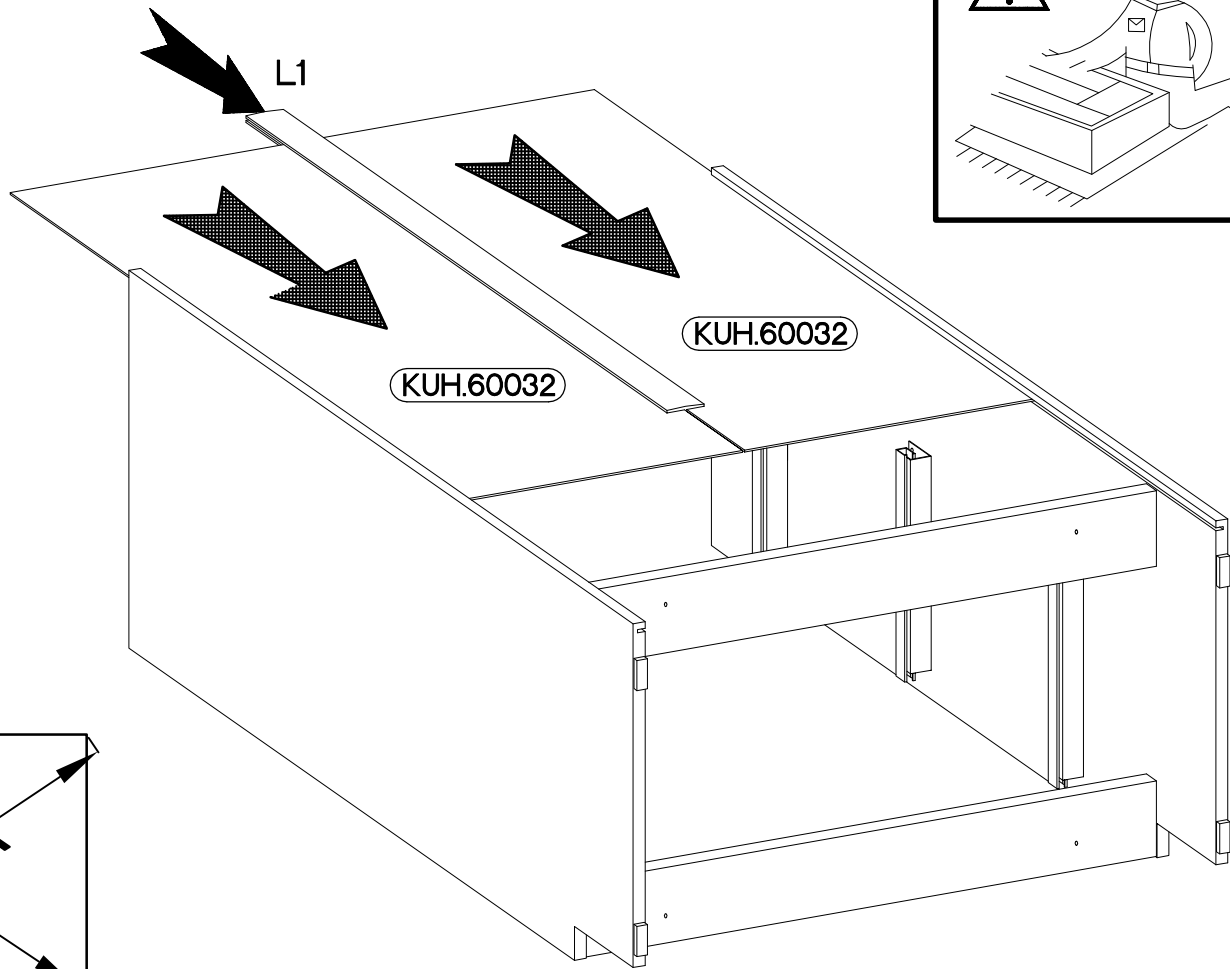
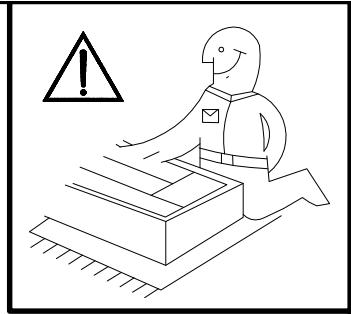
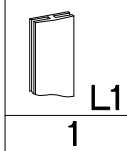


E1

4

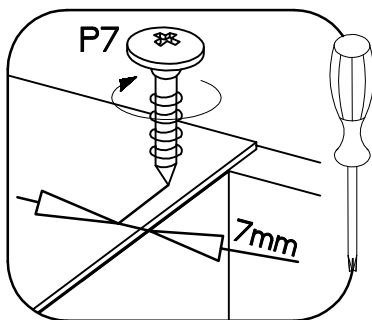
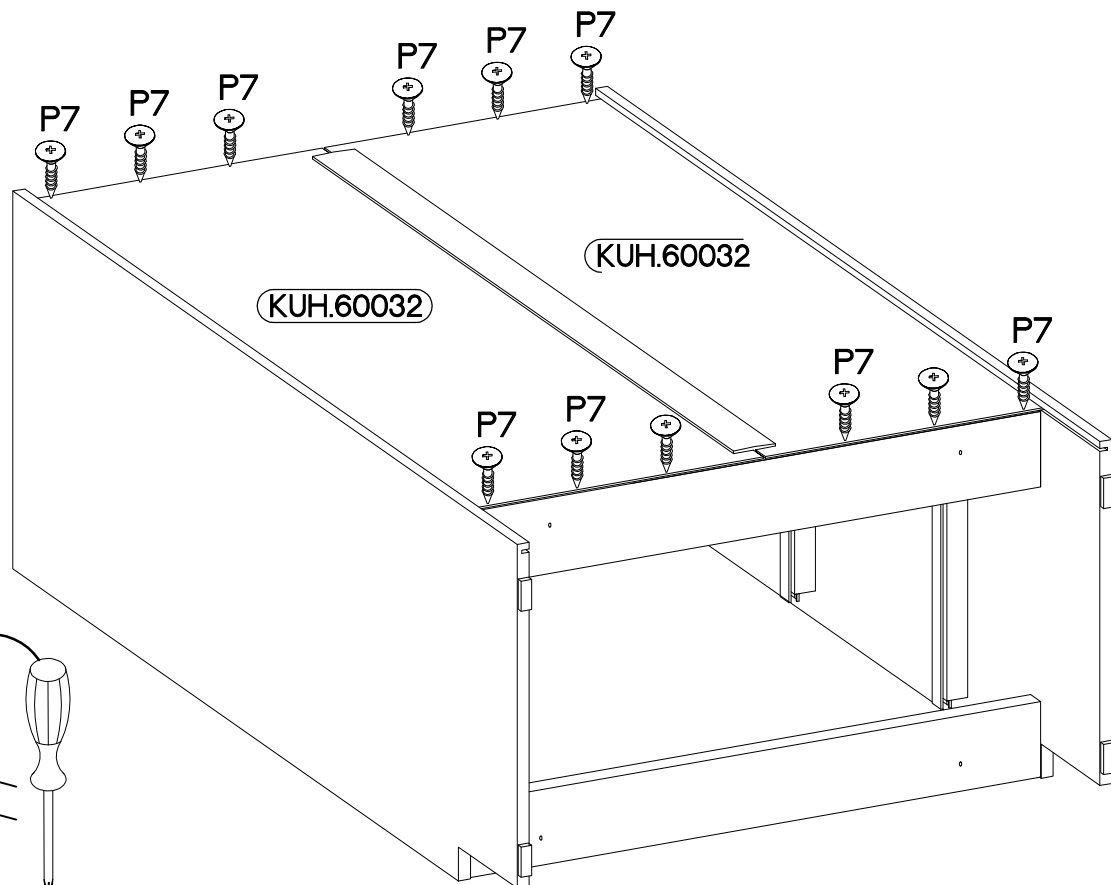
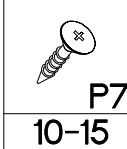
4

L1=680mm



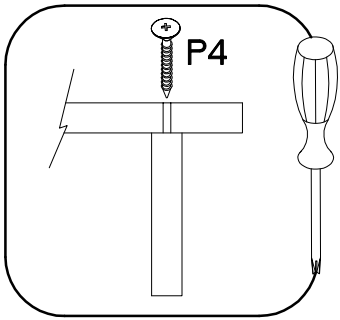
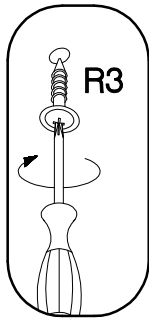
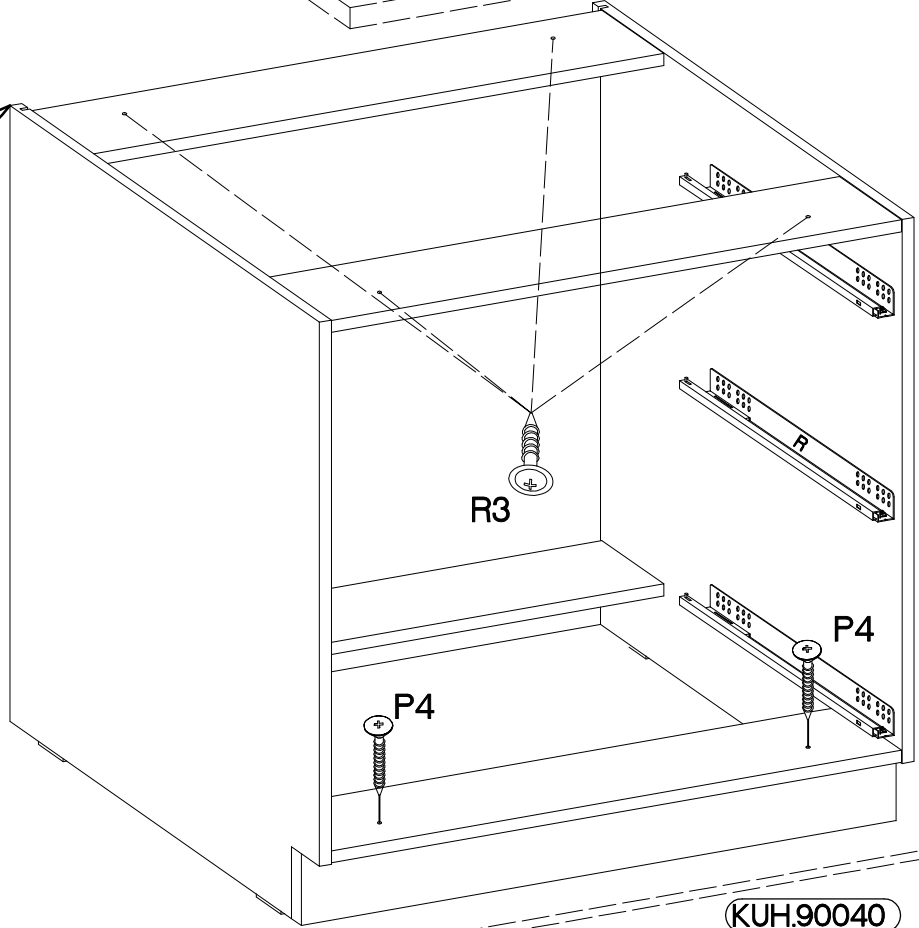
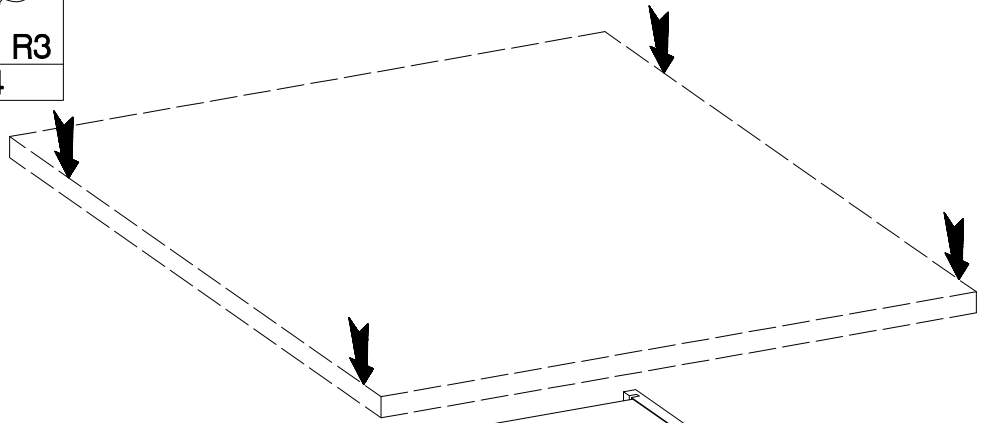
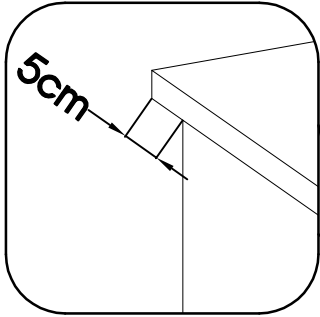
5

φ3.0x20mm



6

4.0x45mm P4	E9	4.0x35mm R3
2	2	4



7

