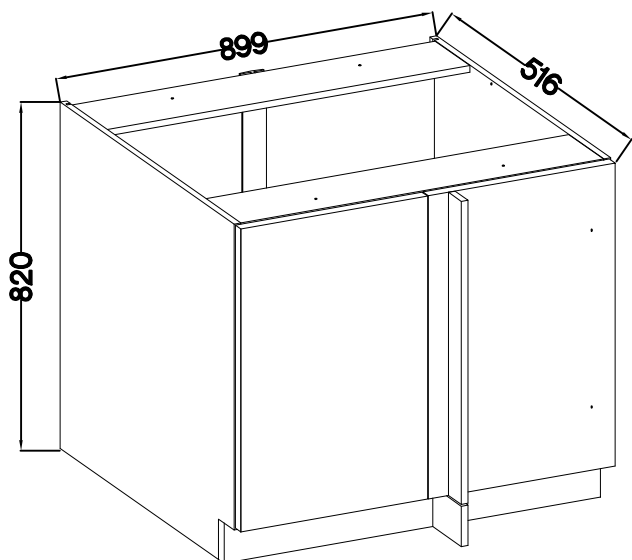
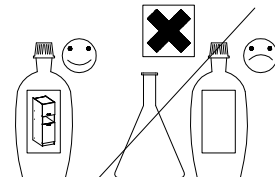
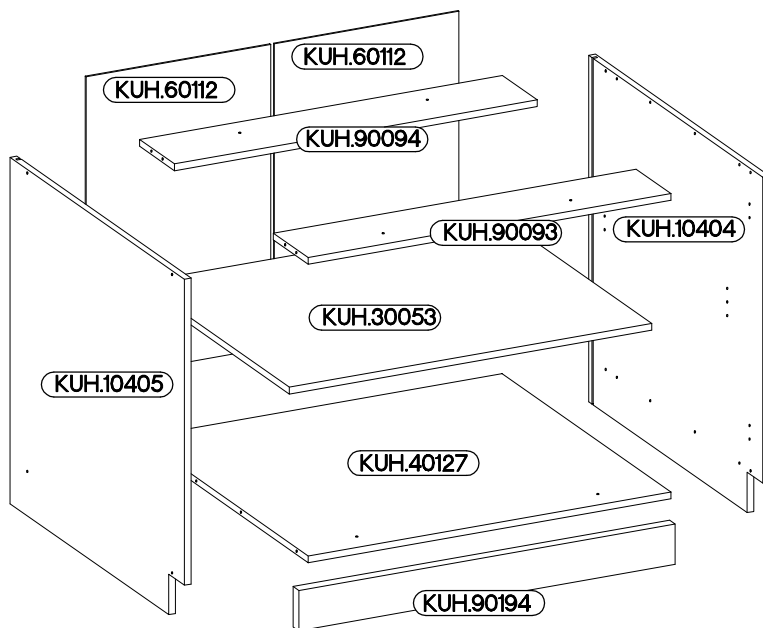
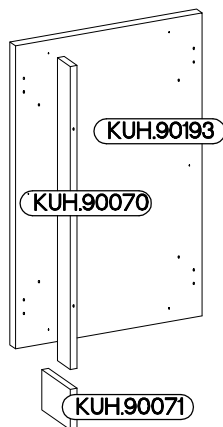


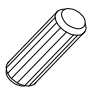

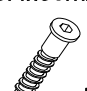
105 ND 1F BB


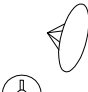










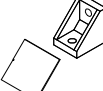



KUH.30053

KUH.40127

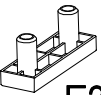
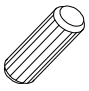


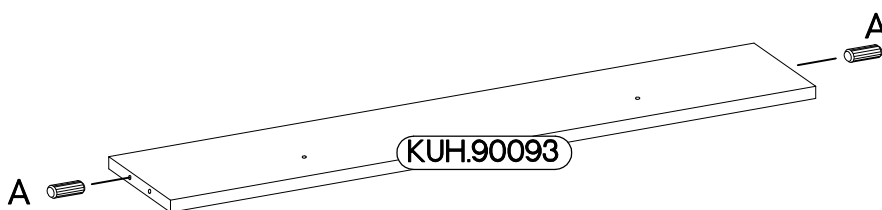
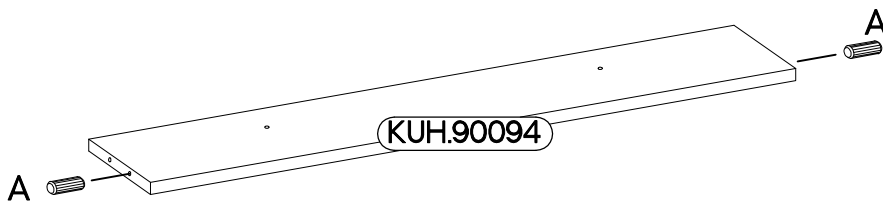
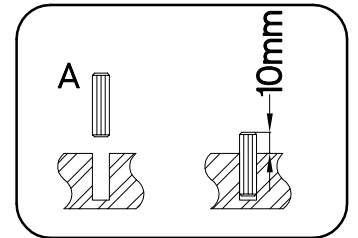
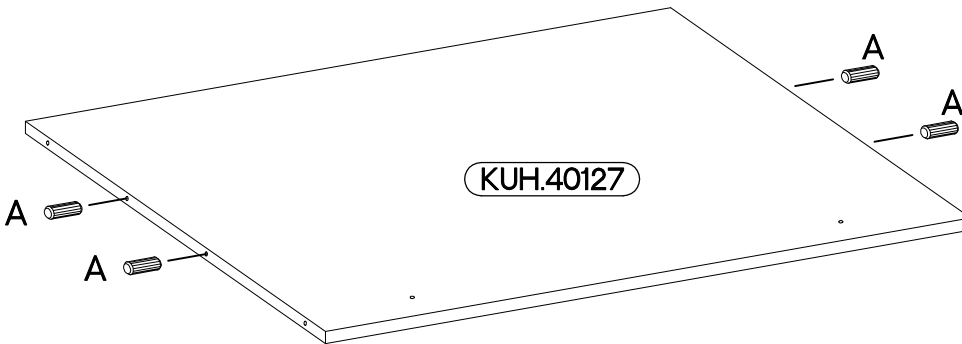
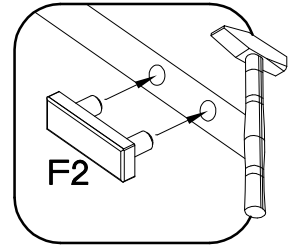
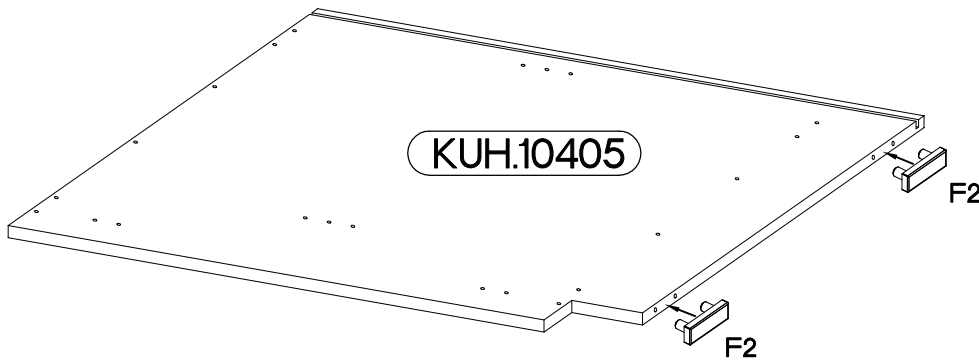
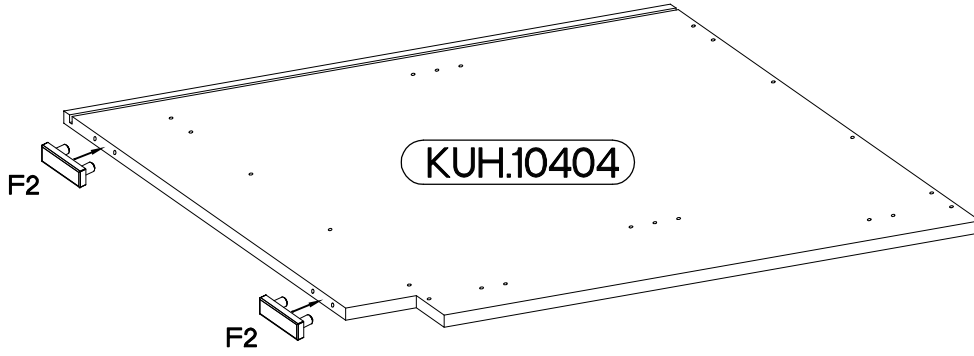
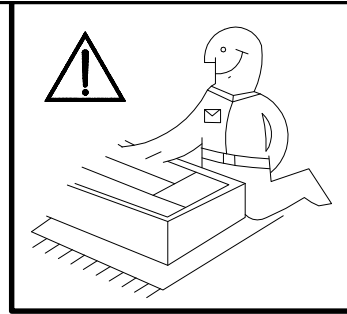
↑8x30mm  A	6,4 x 50mm  B	↑6.4x35mm  B1
8	8	2

 E1	 E9	 F2	 HG6	 J	 L1	 O
8	2	4	2	4	1	1
↑4.0x16mm  P1	↑4.0x45mm  P4	↑3.5x13mm  P5	↑3.0x20mm  P7	↑4.0x35mm  R3	 T3	 T15
10	2	8	15-20	4	5	2

ISM-KUH-01633

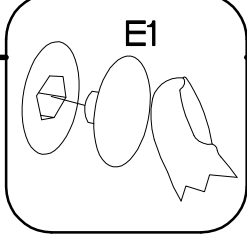
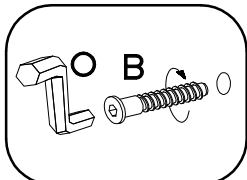
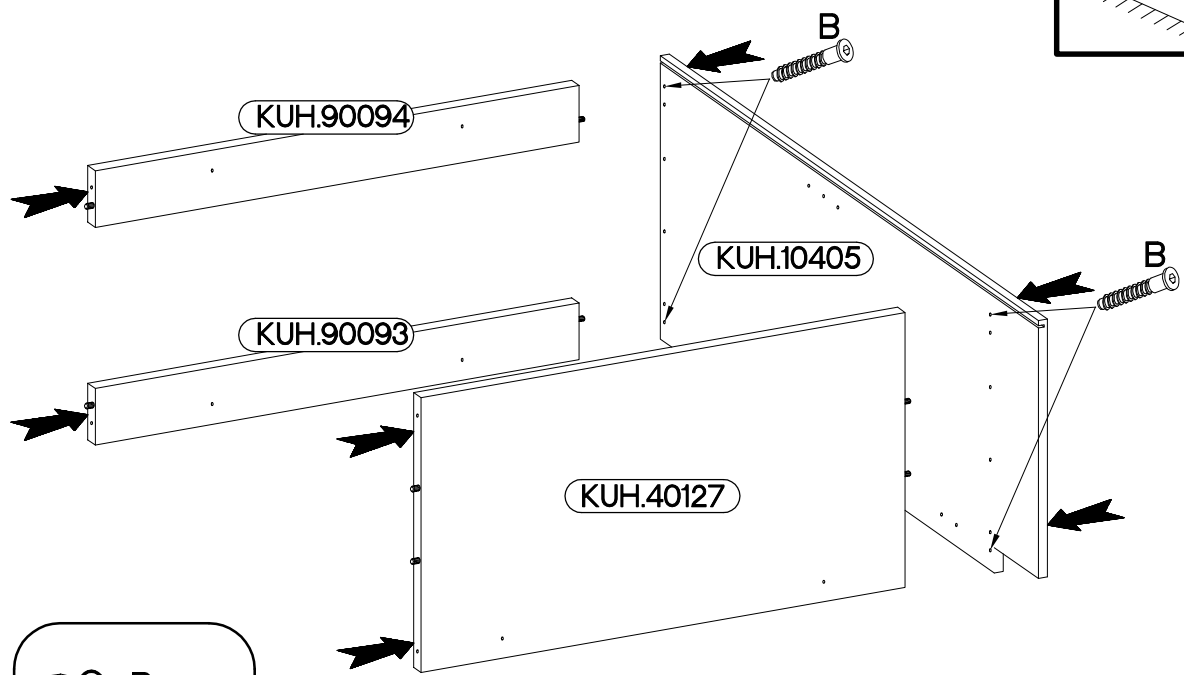
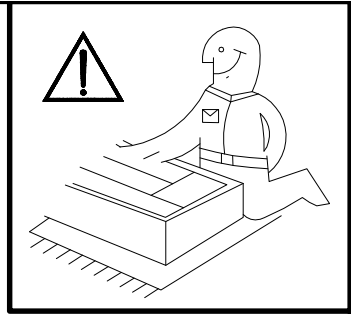
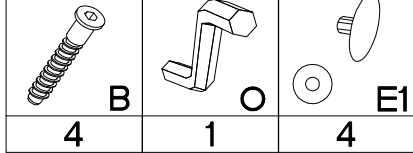
1

6.5x48x16  F2 4	±8x30mm  A 8
--	---

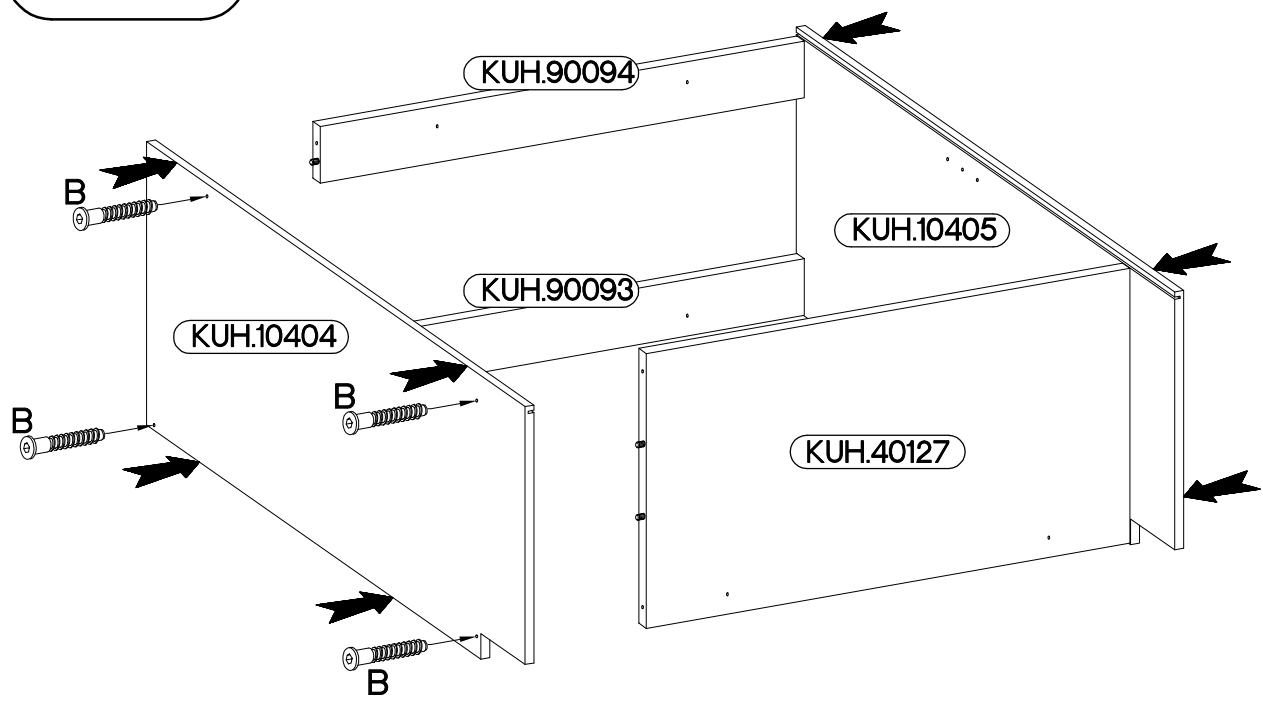


2

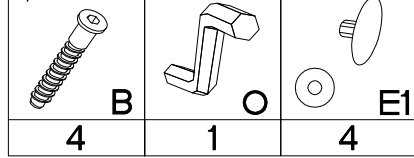
6,4 x 50mm



3

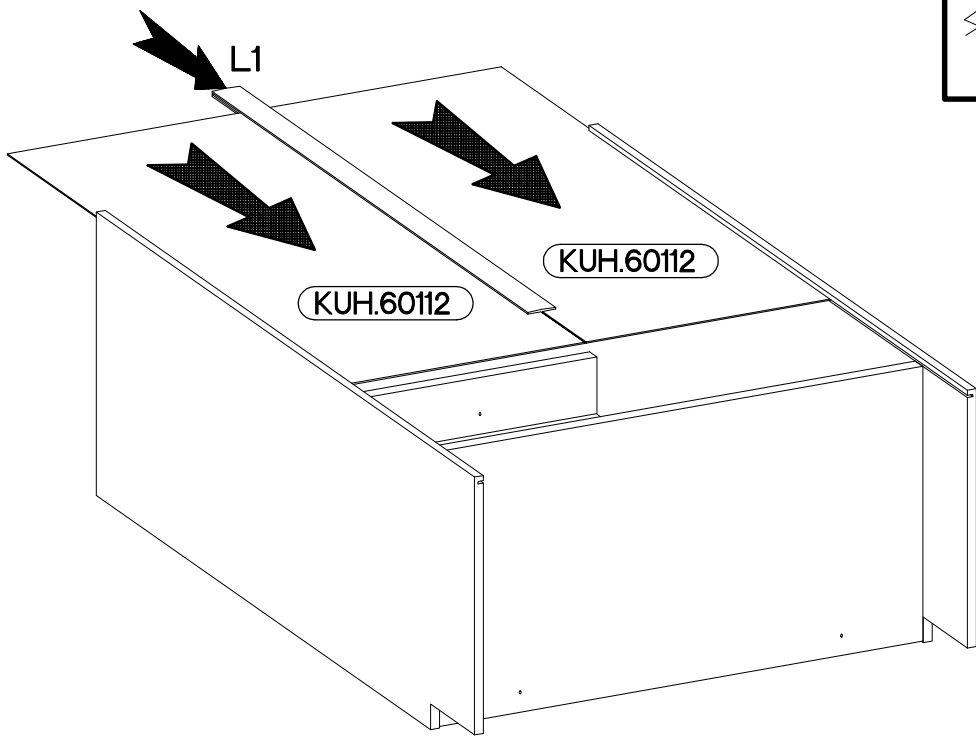
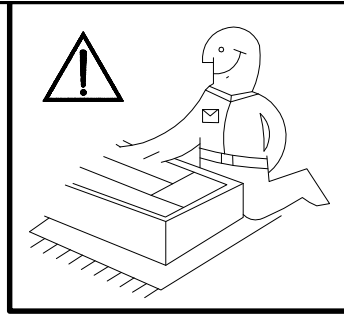
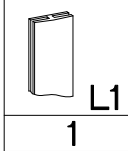


6,4 x 50mm



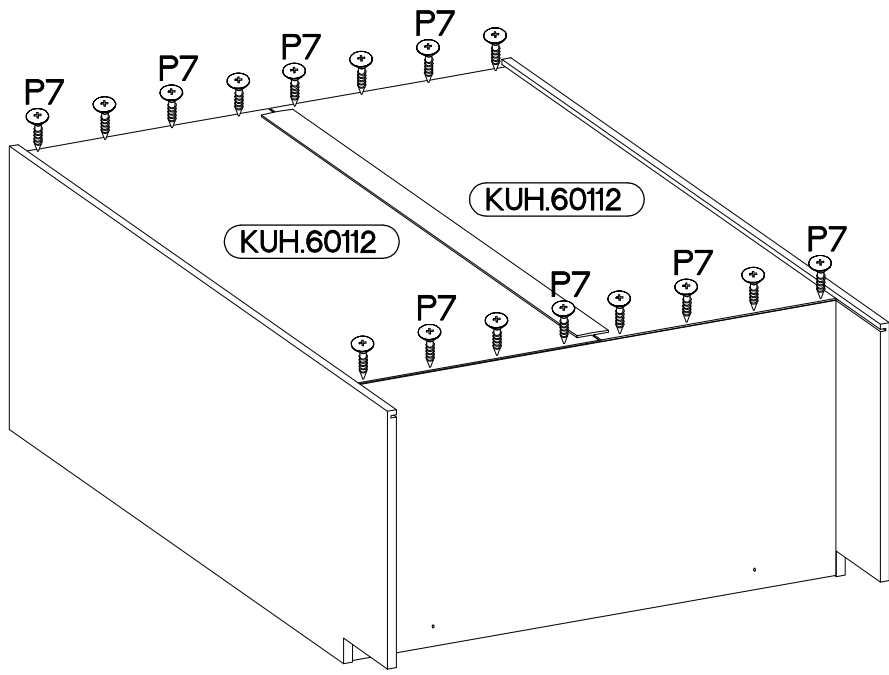
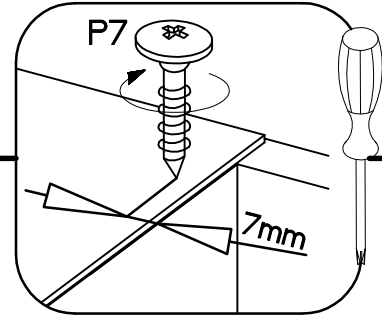
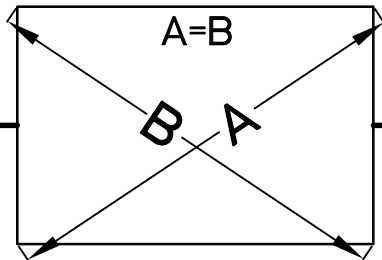
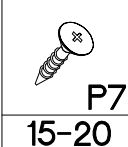
4

L1=680mm





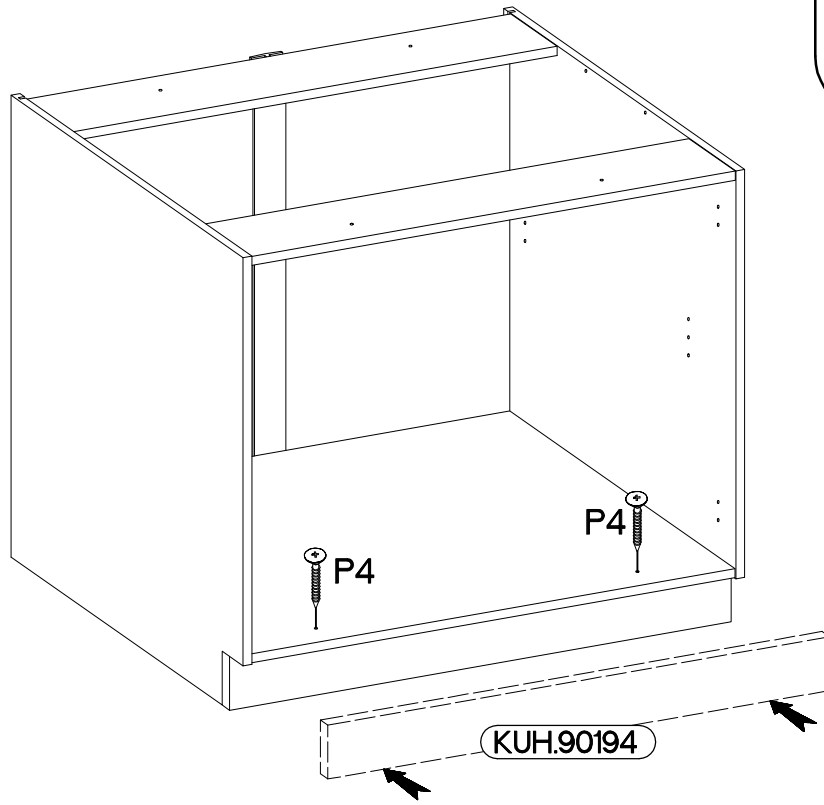
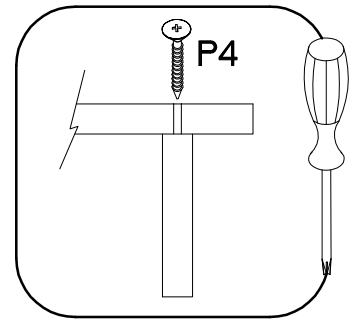
5

3.0x20mm

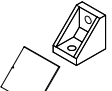



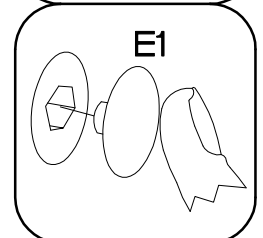
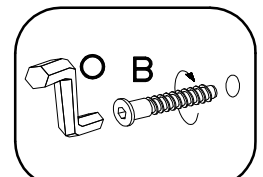
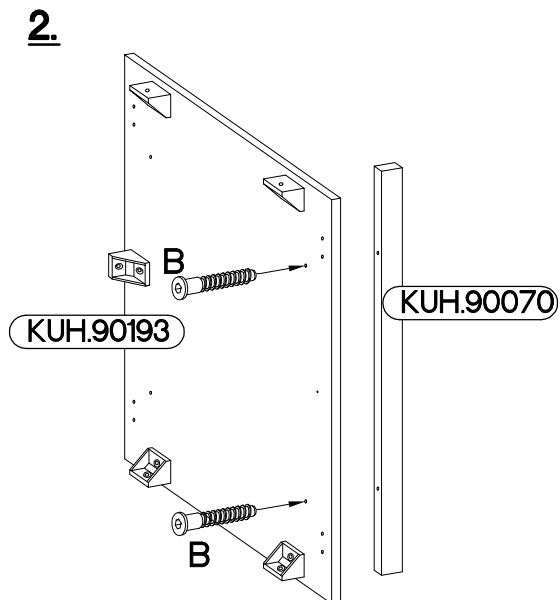
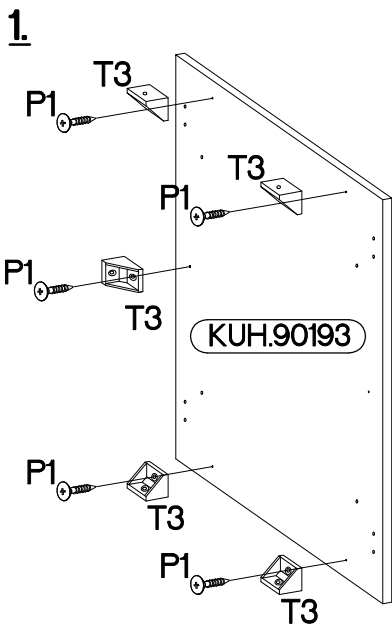
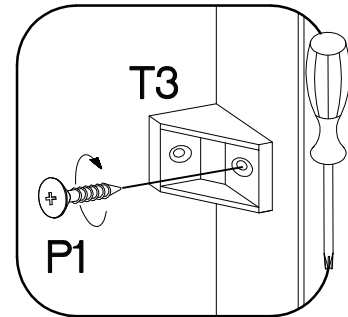
6

$\pm 4.0 \times 45 \text{mm}$		
	P4	E9
	2	2



7

	$\pm 4.0 \times 16 \text{mm}$	$\pm 6.4 \times 35 \text{mm}$	
T3	P1	B1	O
5	5	2	1



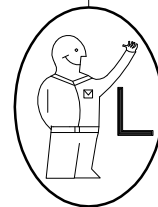
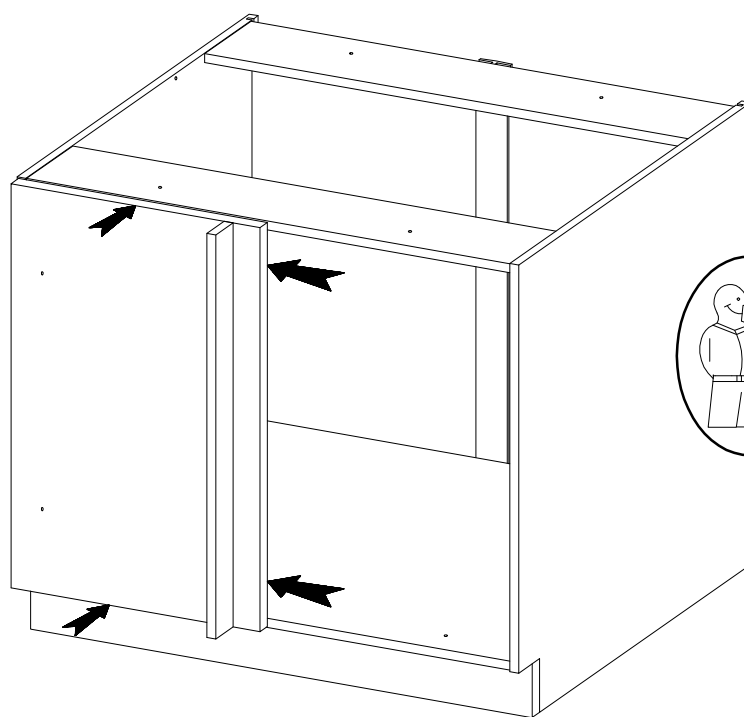
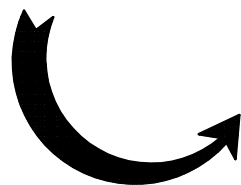
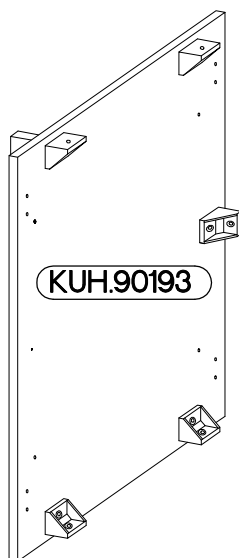
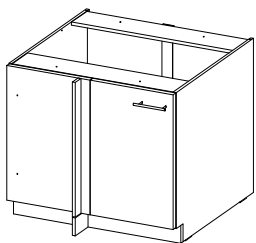
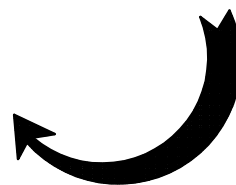
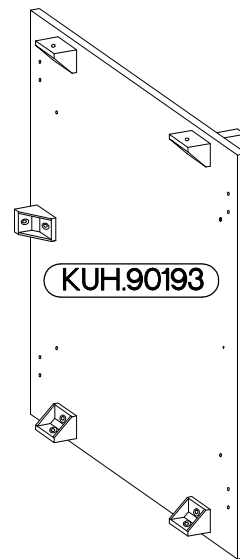
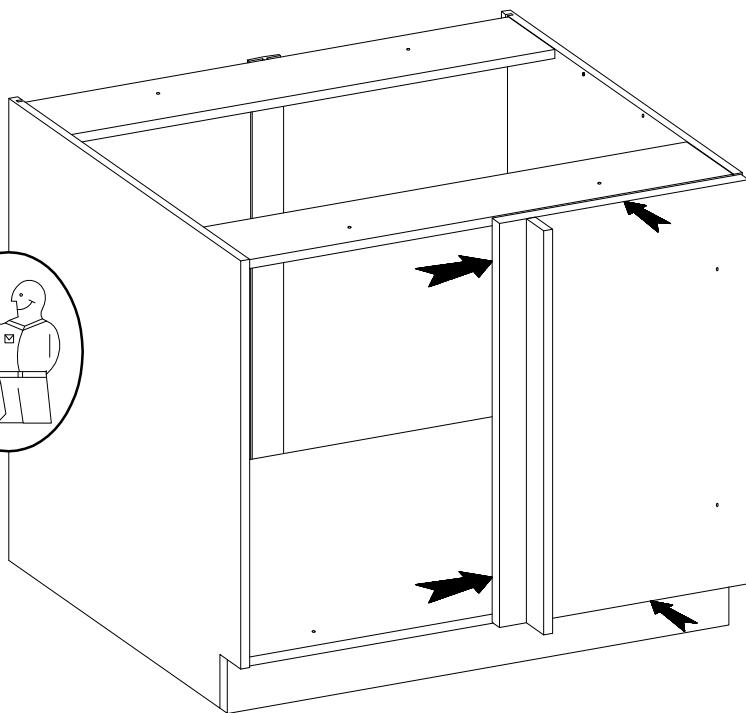
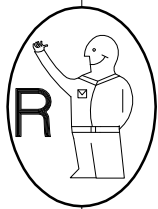
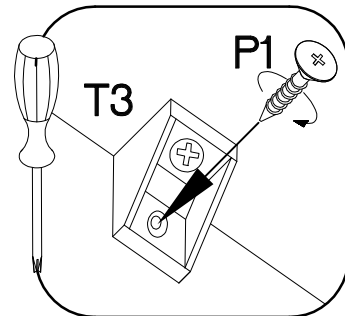
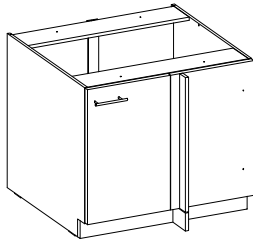
8

4.0x16mm



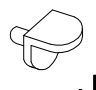
P1

5



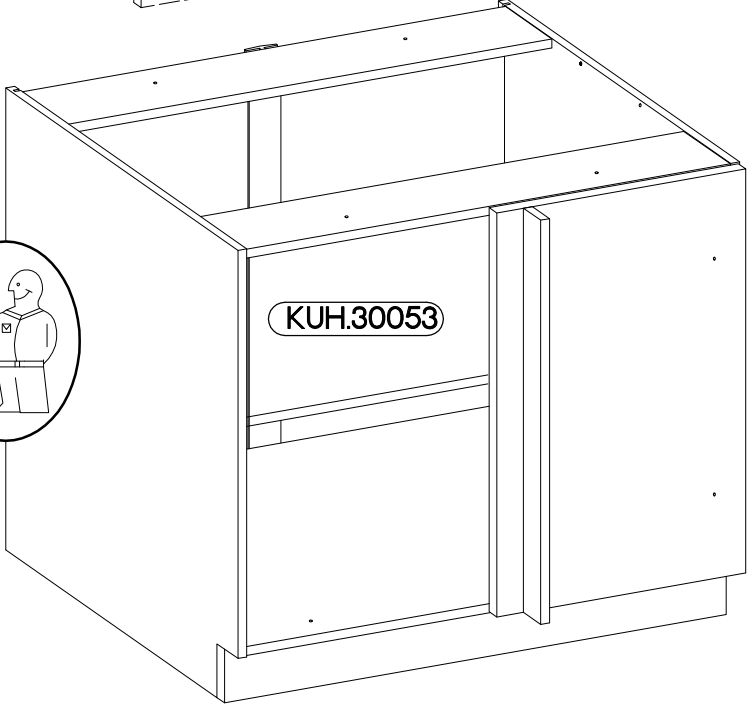
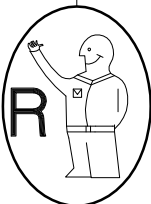
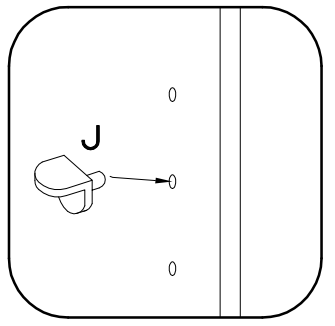
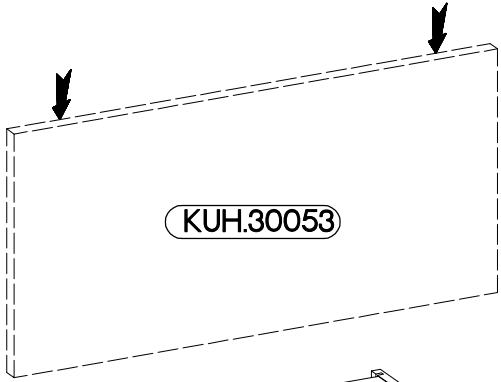
9

±5/19mm




J

4



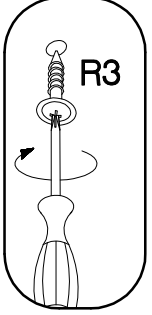
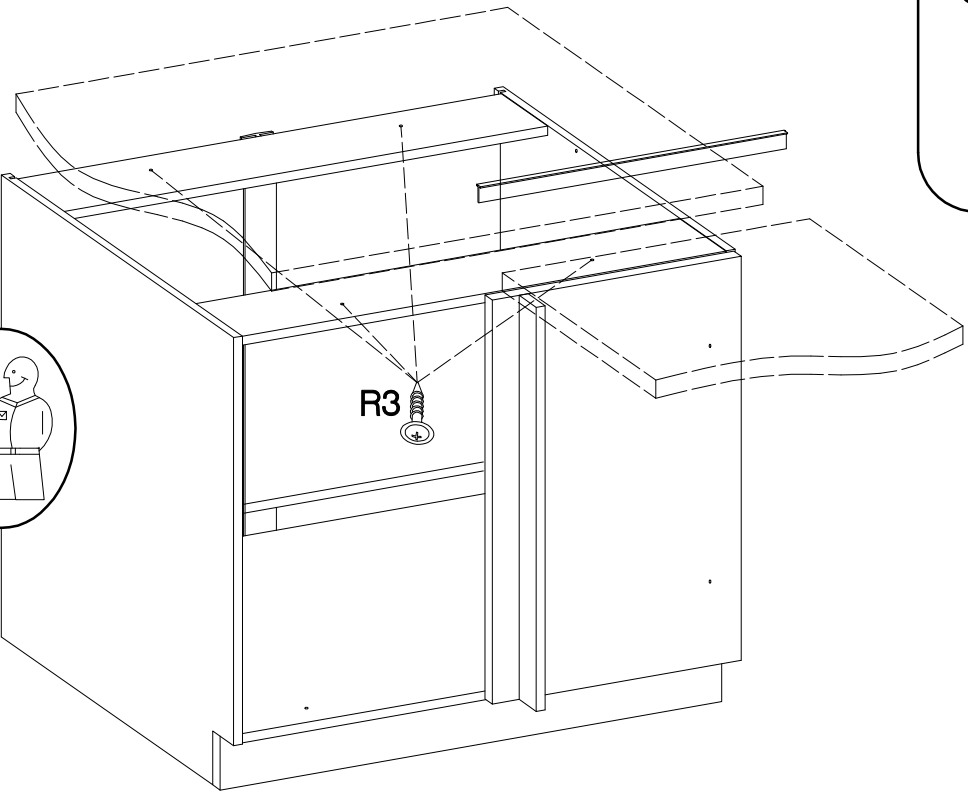
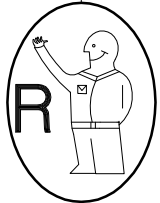
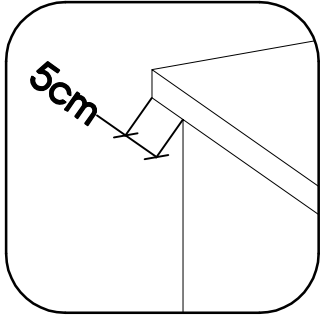
10

±4.0x35mm




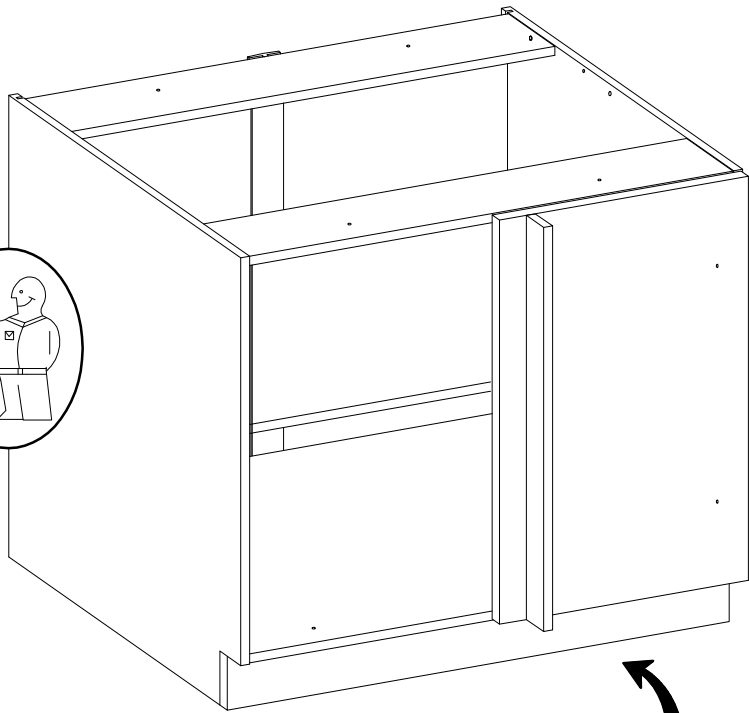
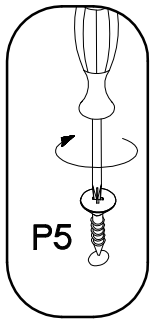
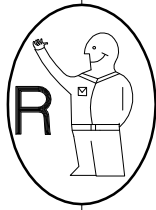
R3

4

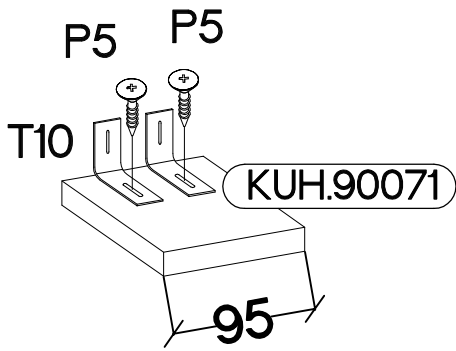


11

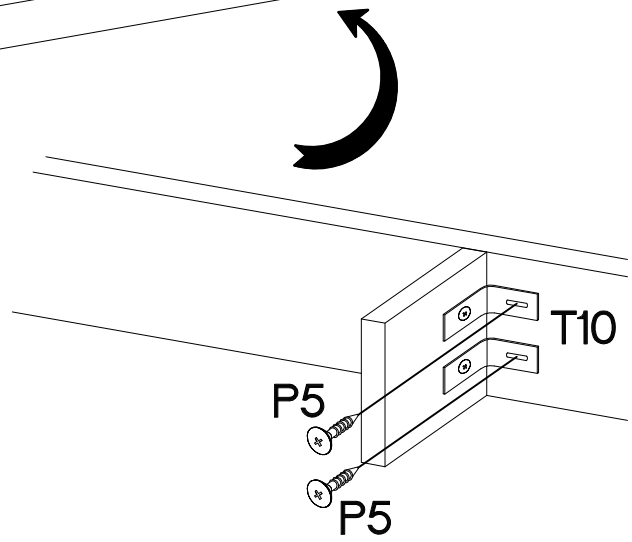
	$\pm 3.5 \times 13 \text{mm}$
T15	P5
2	4



1.



2.



12

FRONT

