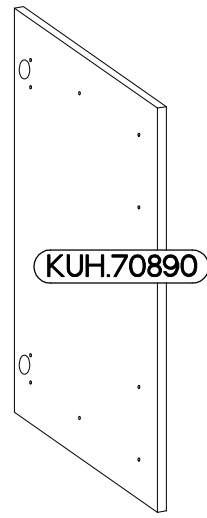
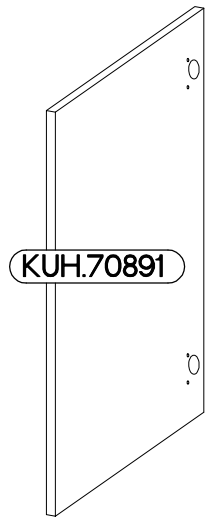
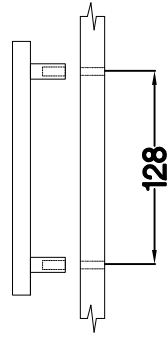
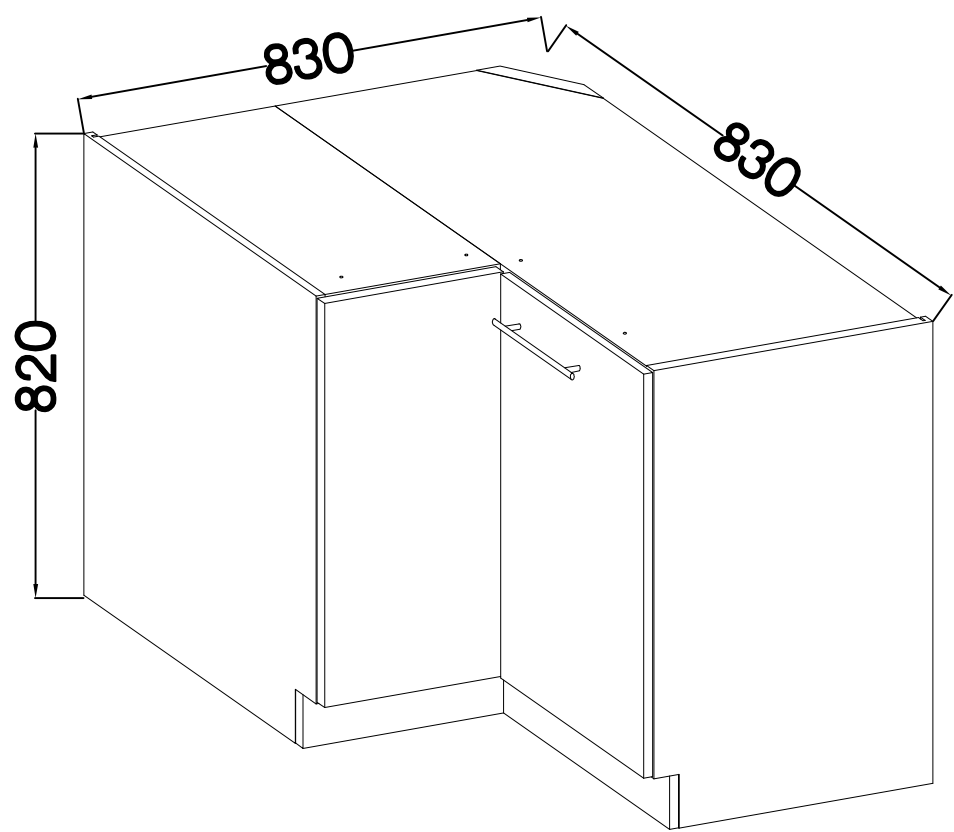
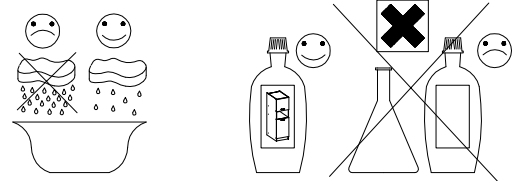




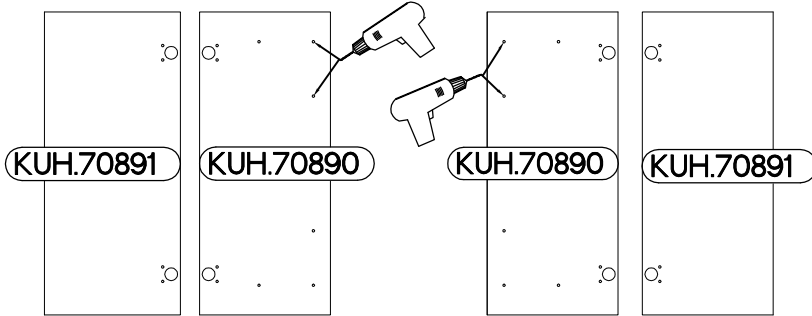
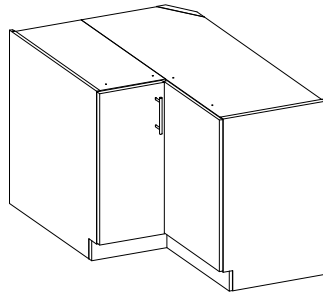
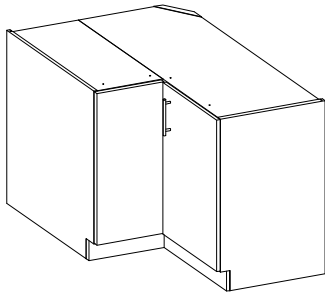
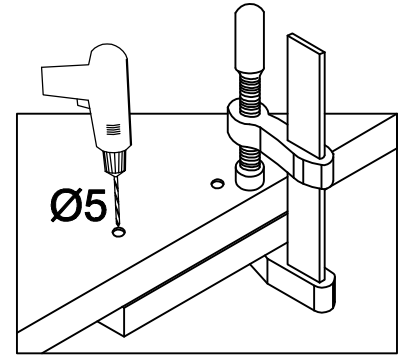
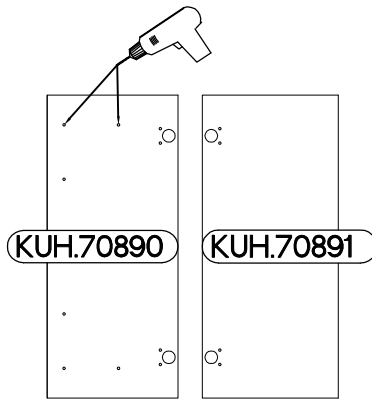
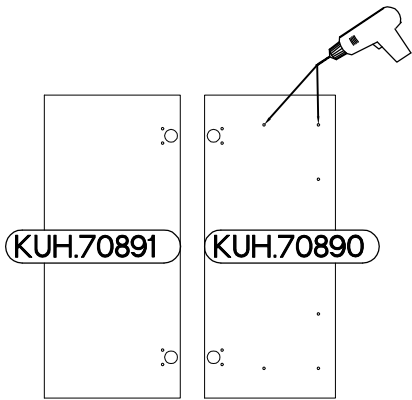
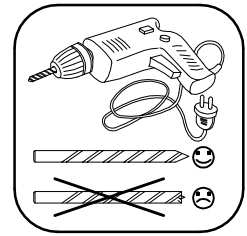
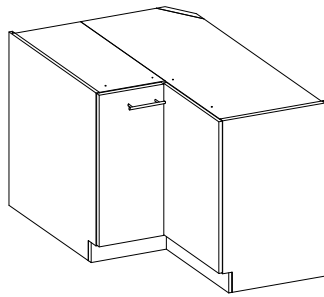
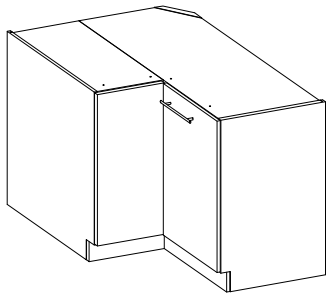
89x89 ND 2F BB
FRONT





M4x22mm	L=128mm
	
U	S
2	1

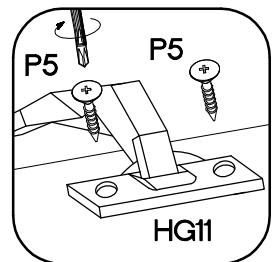
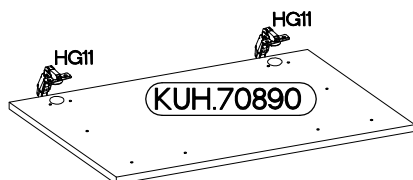
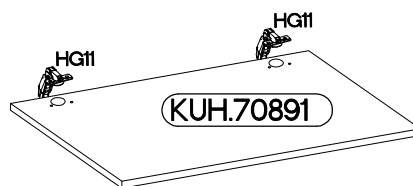
ISM-KUH-01657

1



2

 +35/175 [CD] HG11 4	 +3.5x13mm P5 8
--	--



3

M4x22mm

L=128mm



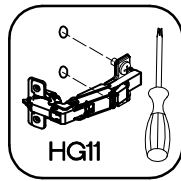
U



S

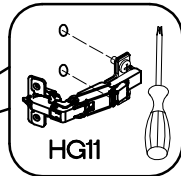
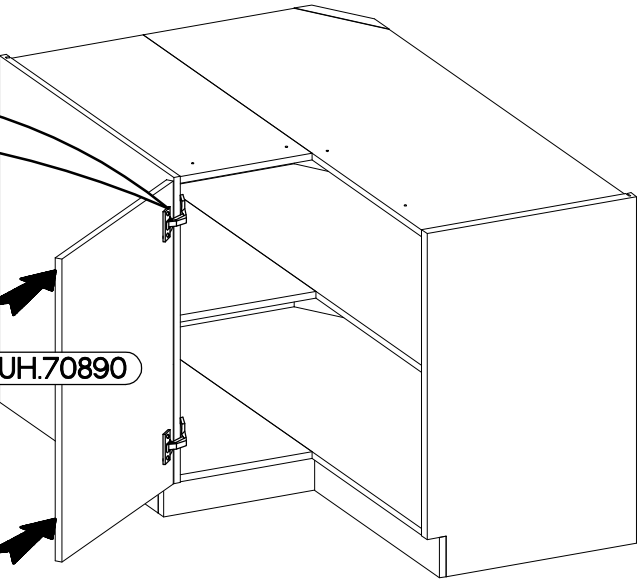
2

1



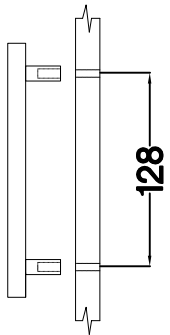
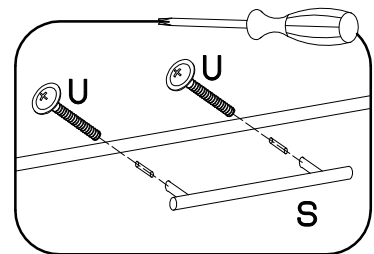
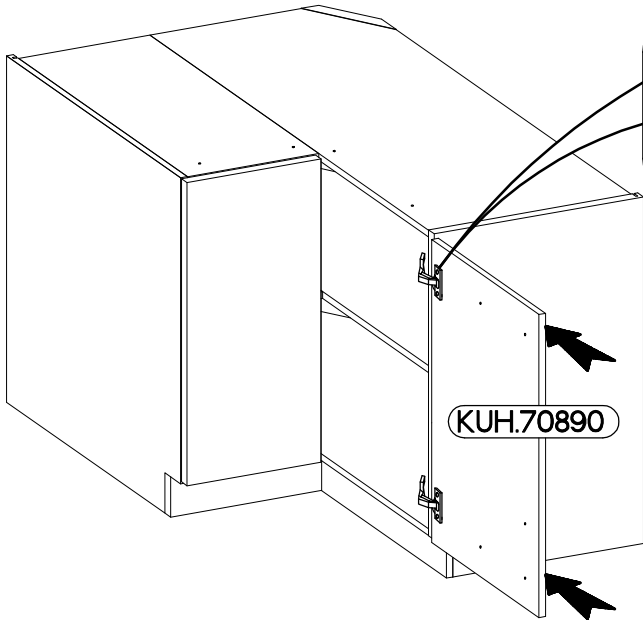
HG11

KUH.70890



HG11

KUH.70890



128

VARIANT HIGH GLOSS

