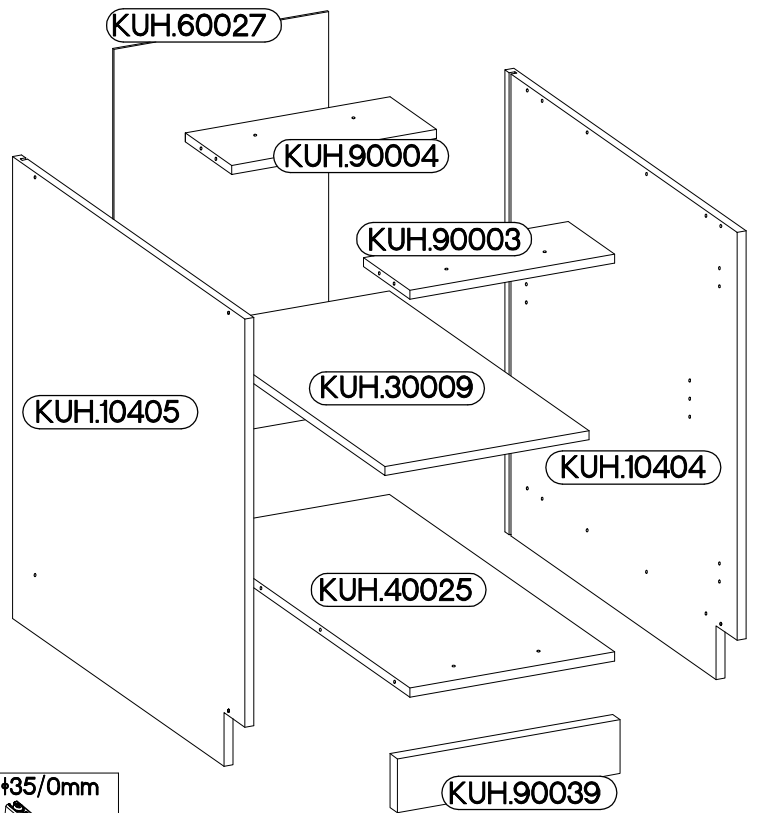
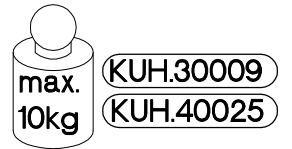
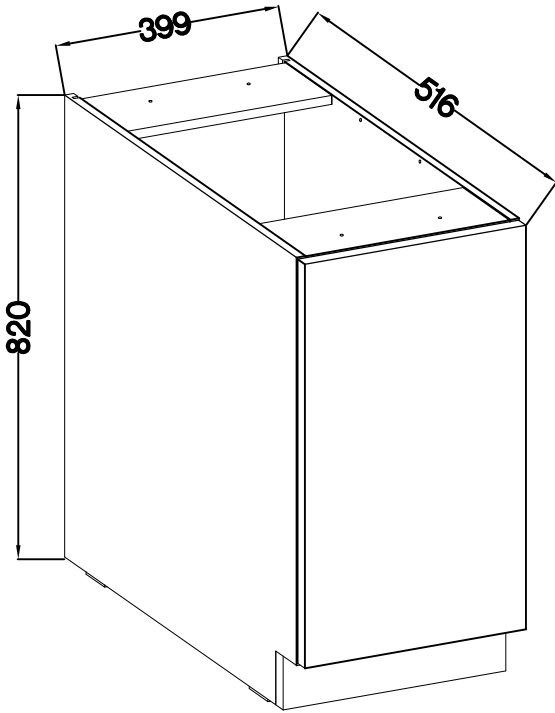


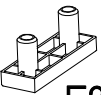
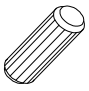
40 D 1F BB

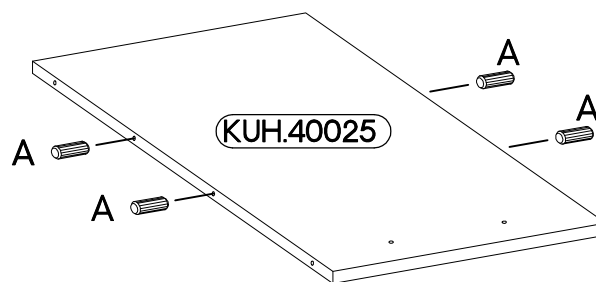
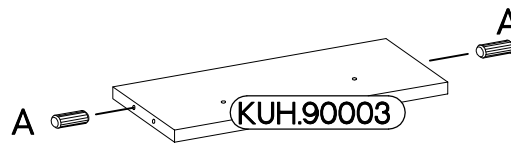
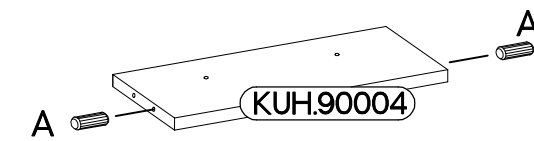
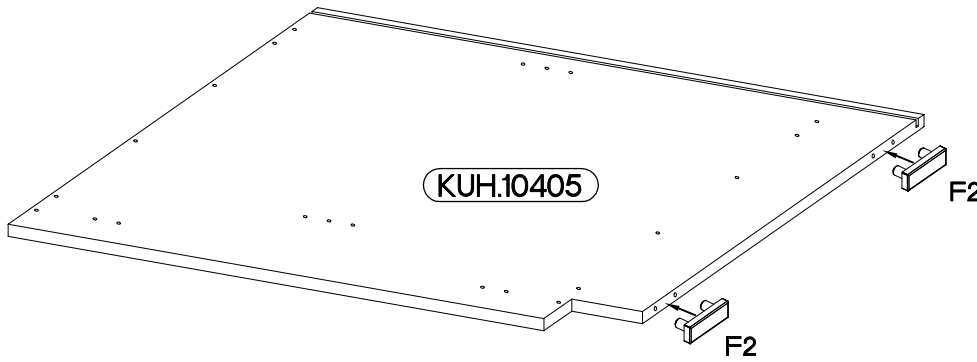
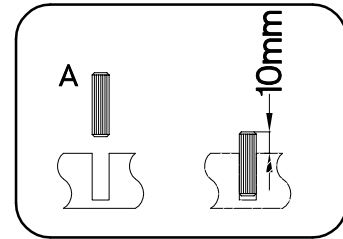
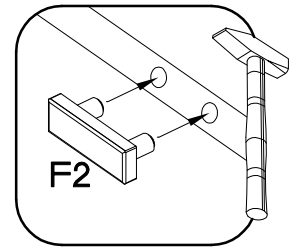
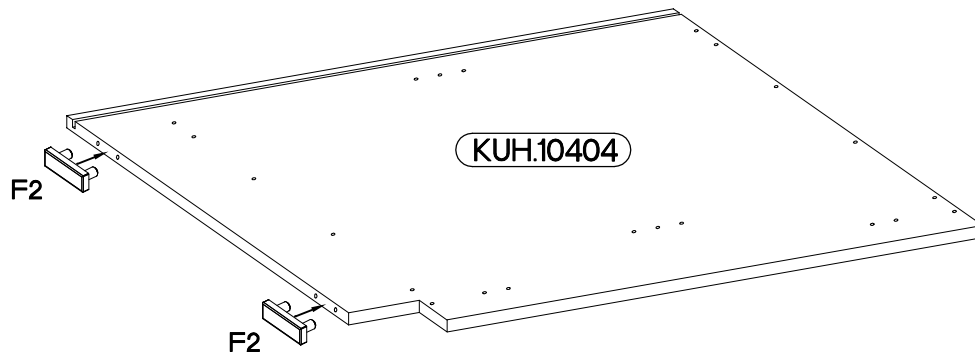
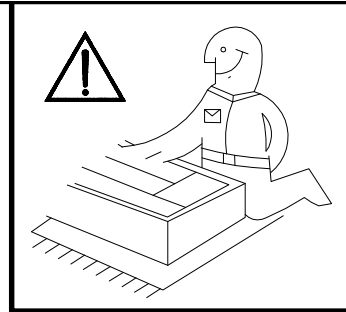


±8x30mm A	6,4 x 50mm B	 E1	 E9	6.5x48x16 F2	±35/0mm HG
8	8	8	2	4	2
±5/19mm J	 O	±4.0x45mm P4	±3.5x13mm P5	±3.0x20mm P7	±4.0x35mm R3
4	1	2	4	8-10	4

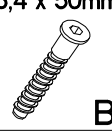
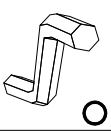
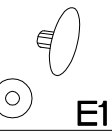
ISM-KUH-01612

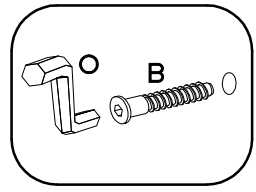
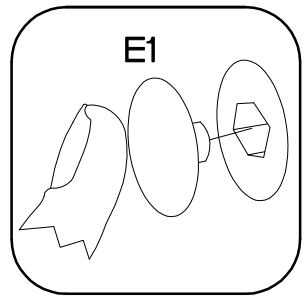
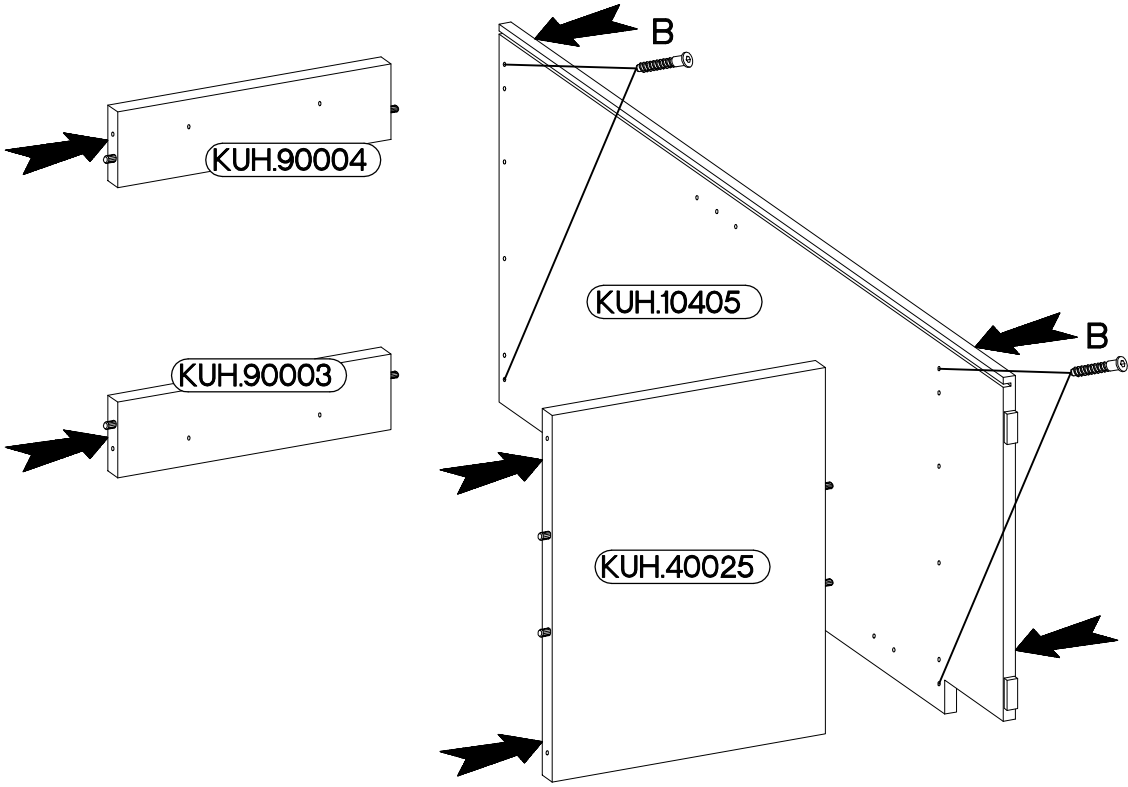
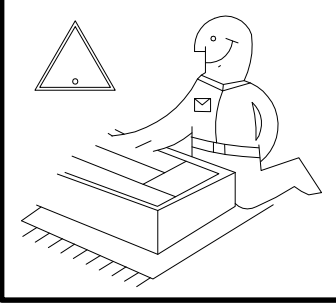
1

6.5x48x16  F2 4	+8x30mm  A 8
----------------------------------------------------------------------------------------------------------	-------------------------------------------------------------------------------------------------------


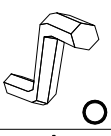
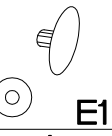


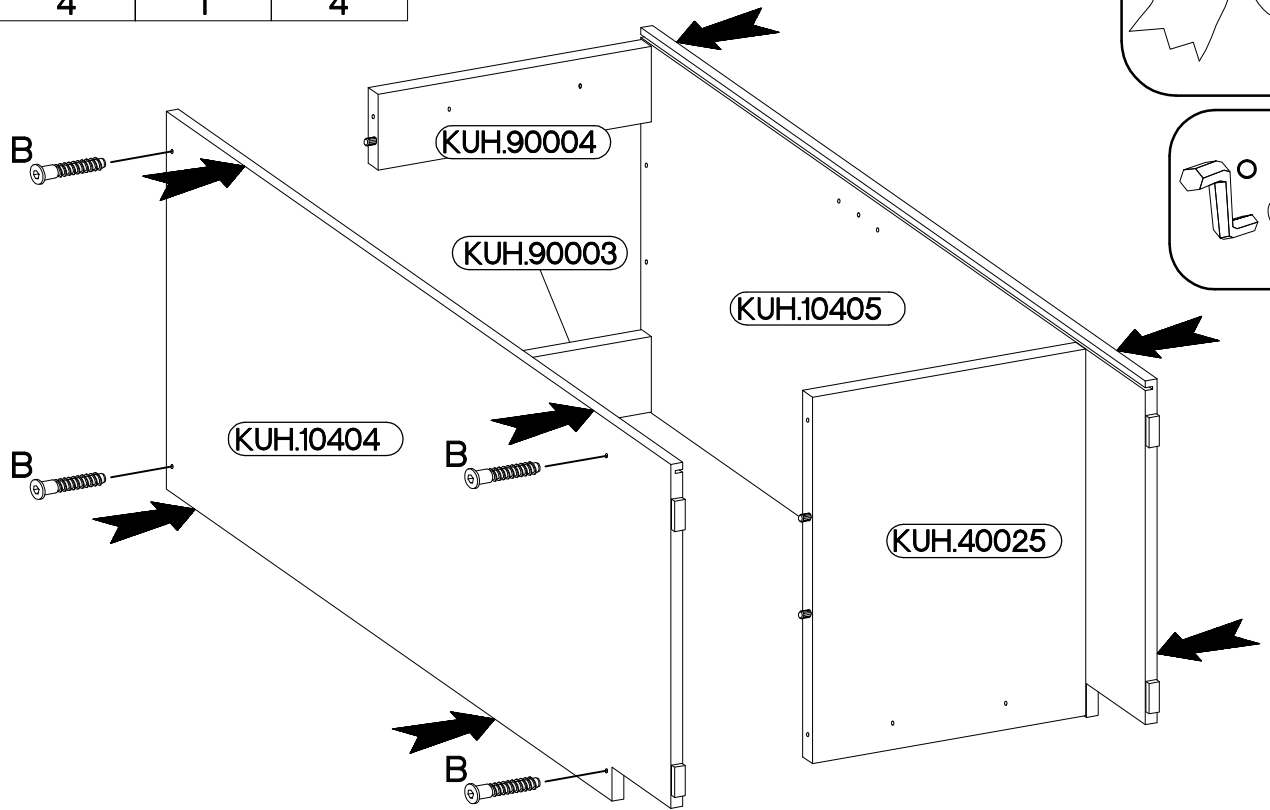
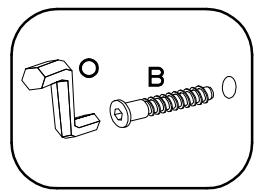
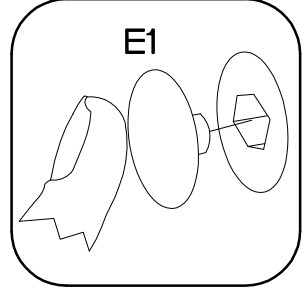
2

6,4 x 50mm		
		
B	O	E1
4	1	4

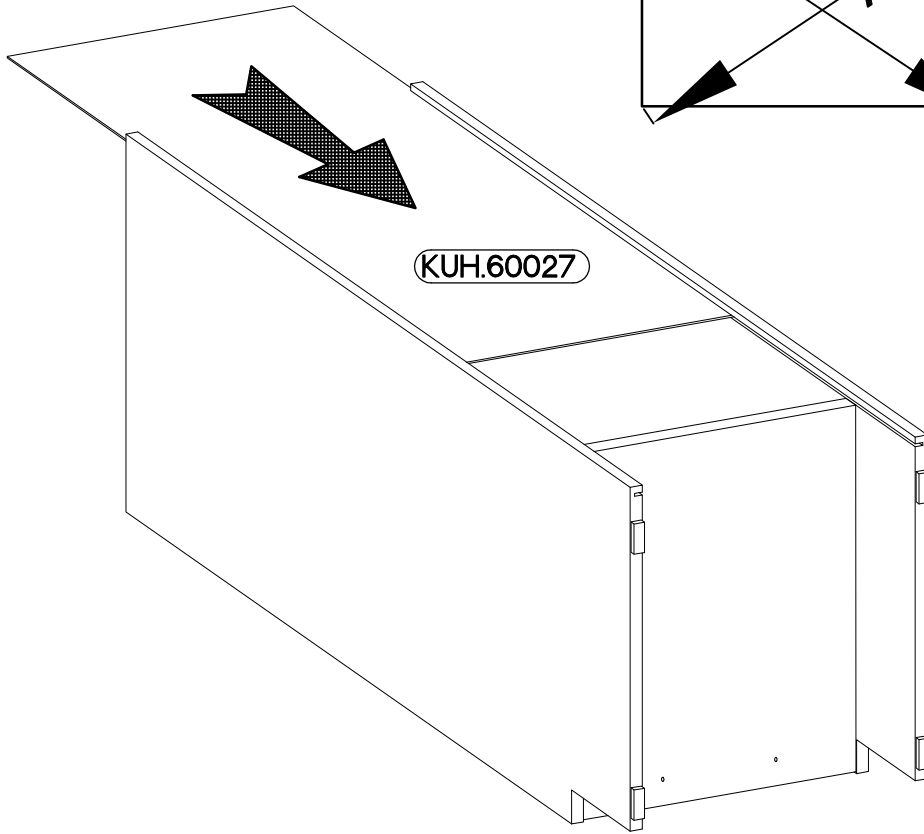


3

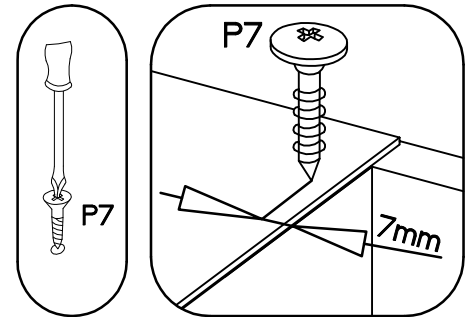
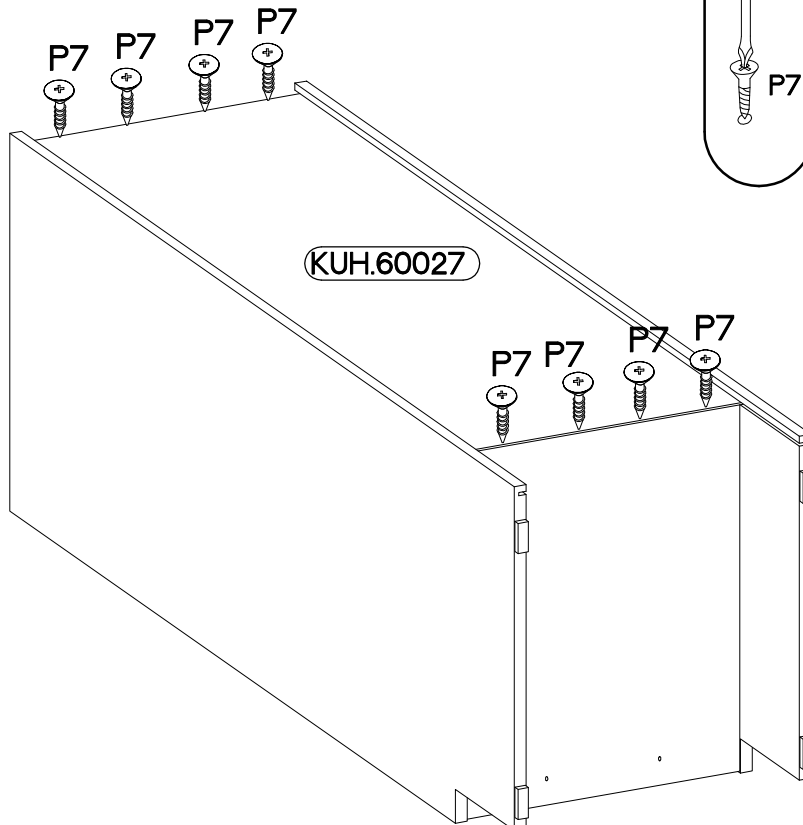
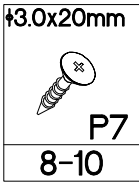
6,4 x 50mm		
		
B	O	E1
4	1	4





4

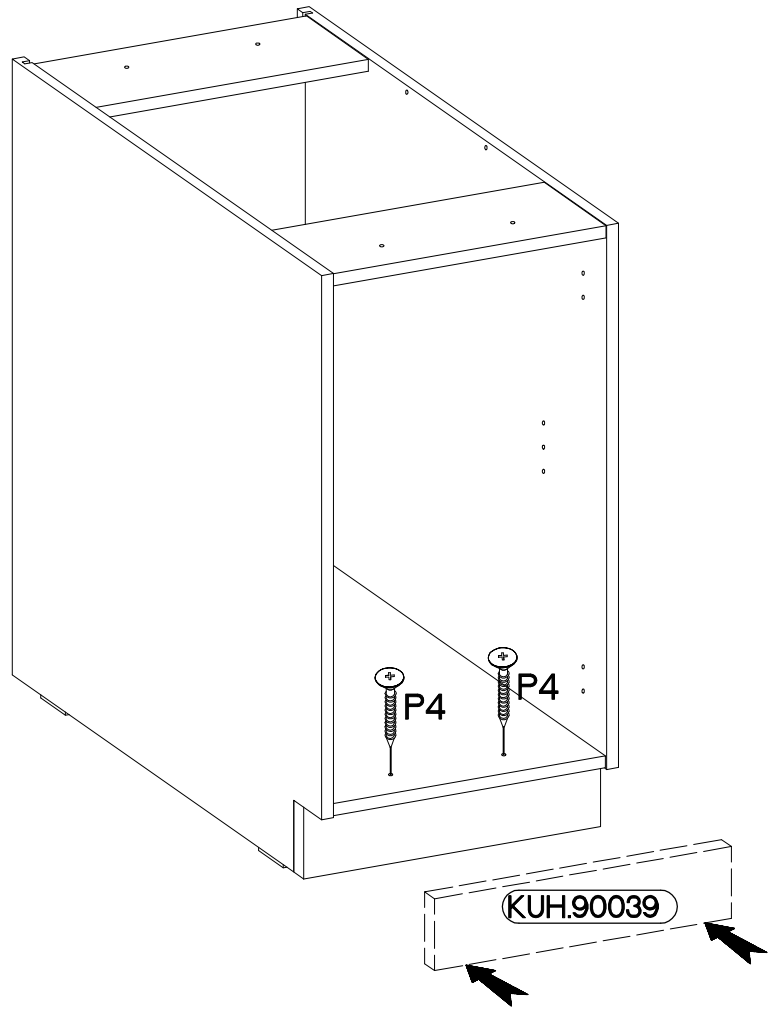
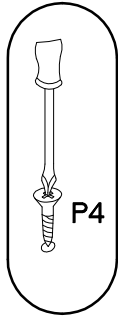
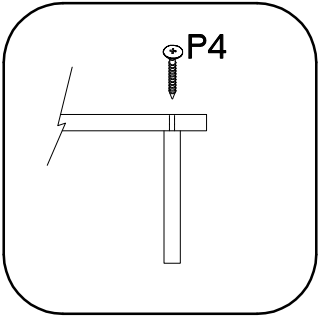


5




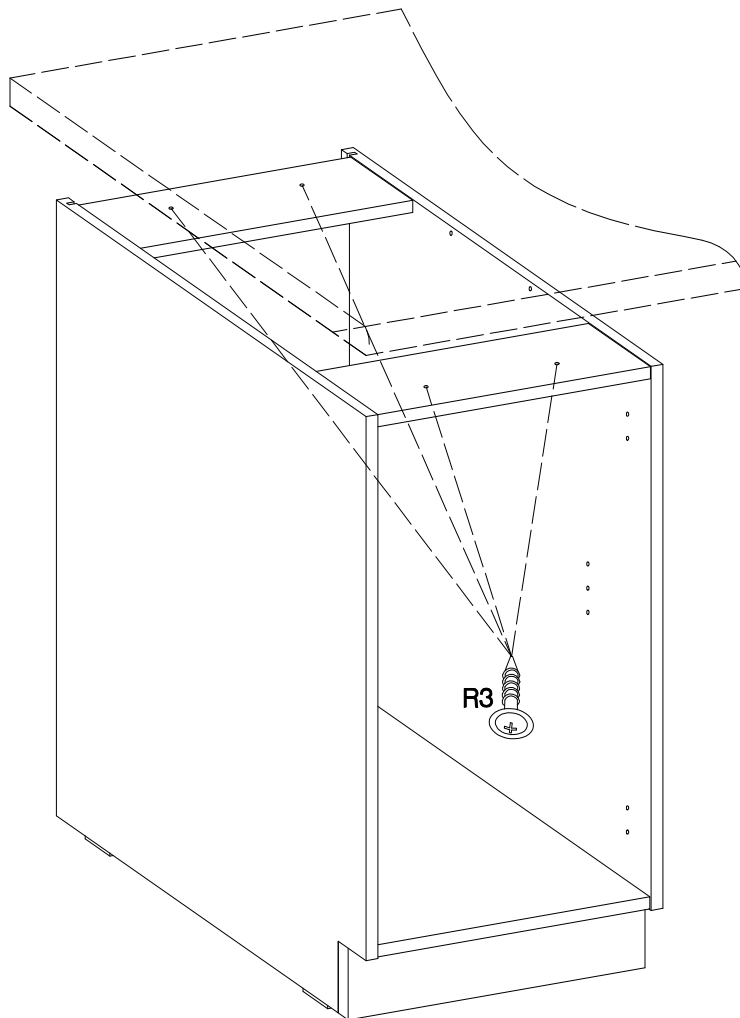
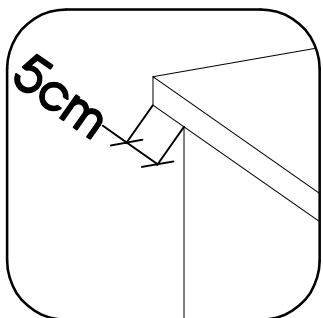
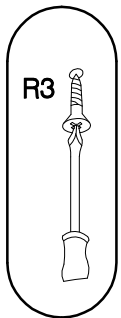
6

+4.0x45mm	
	
P4	E9
2	2



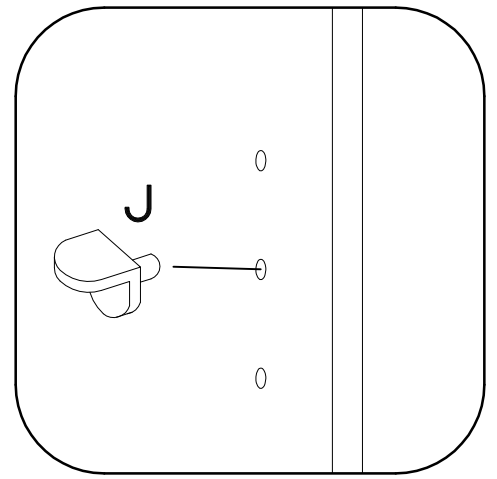
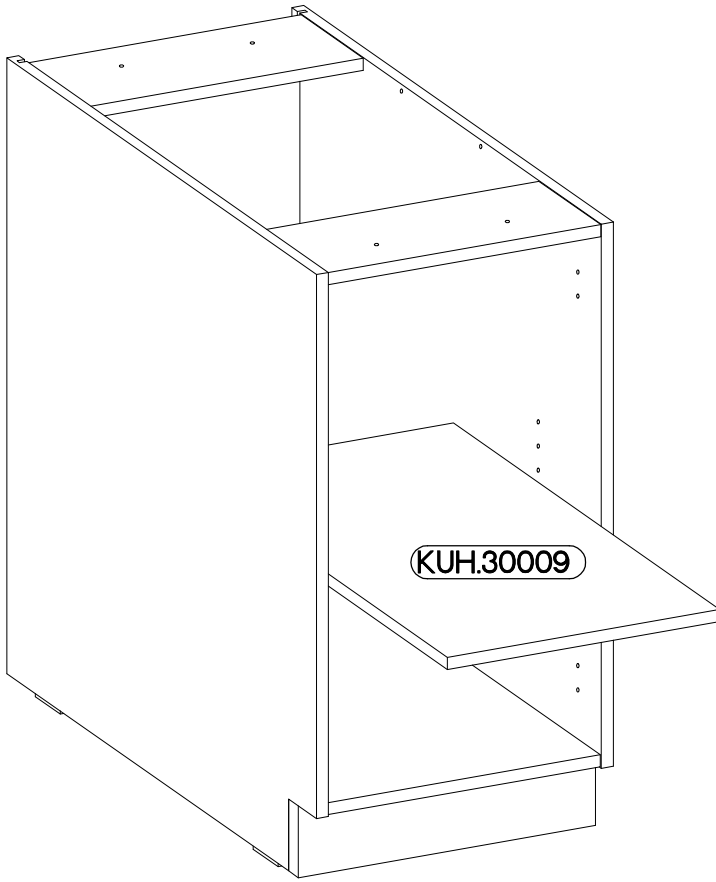
7

+4.0x35mm	
	
R3	
4	



8

±5/19mm
J
4



9

FRONT

