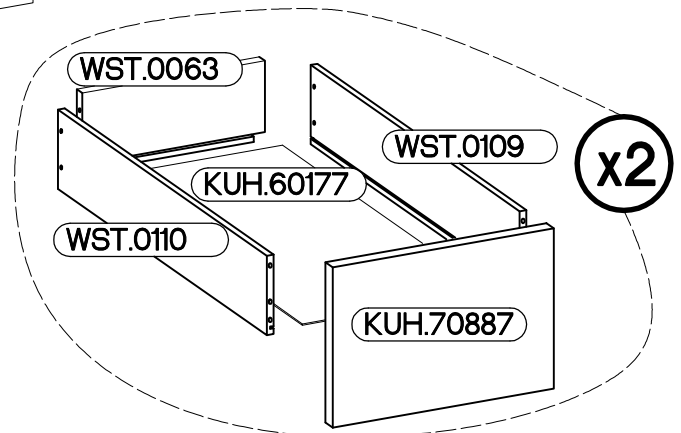
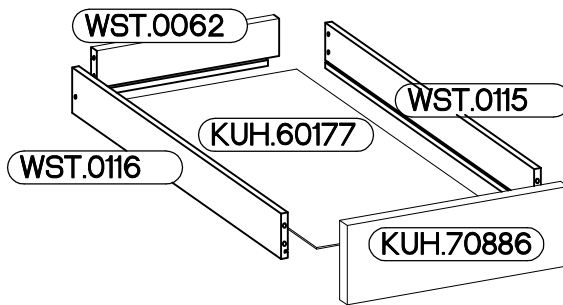
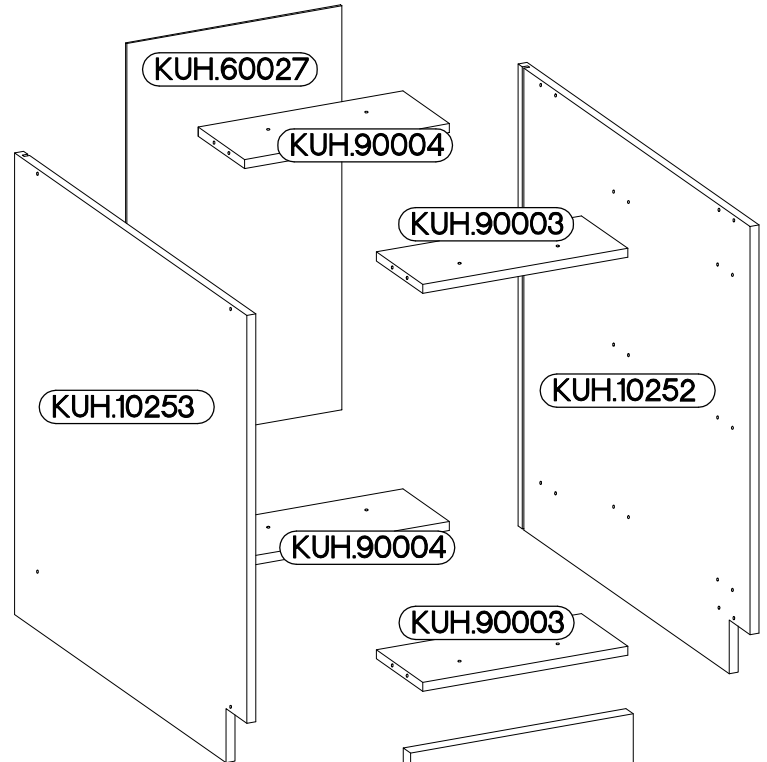
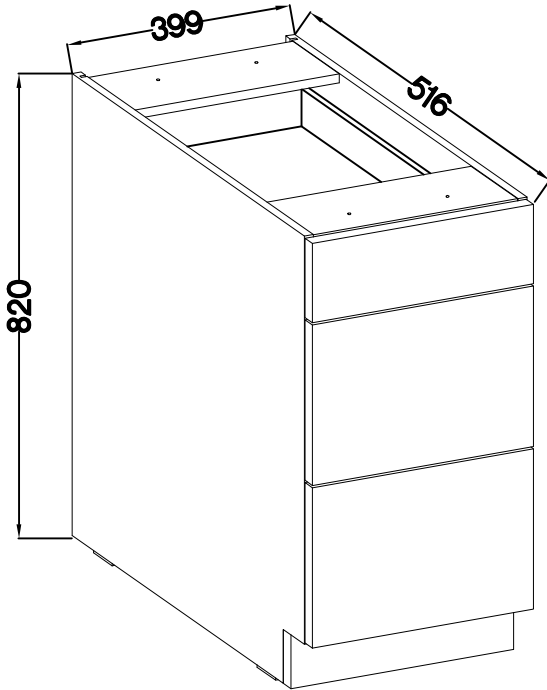
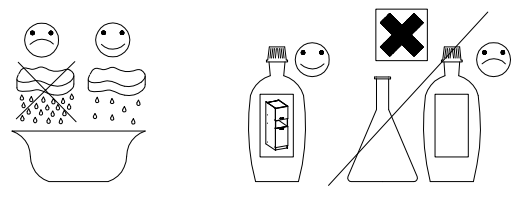


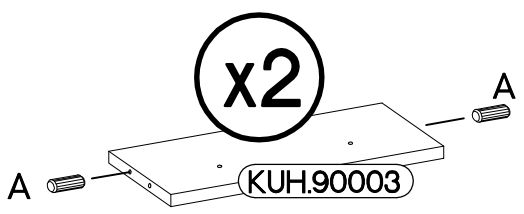
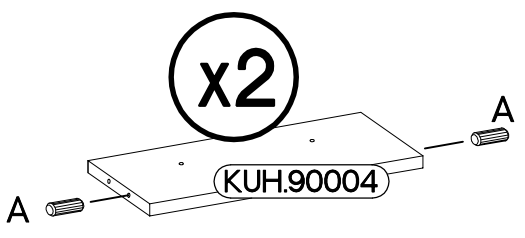
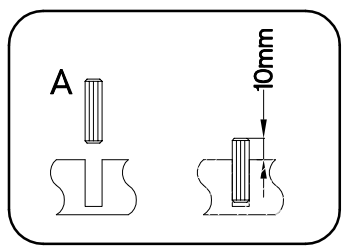
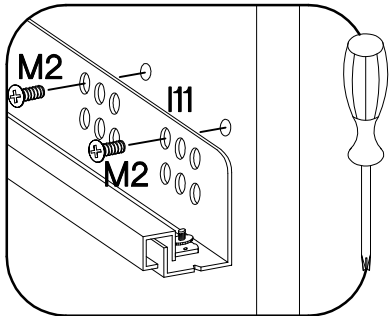
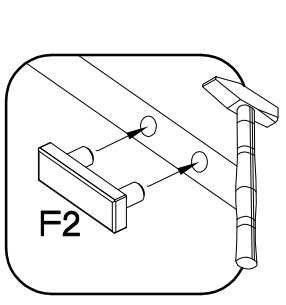
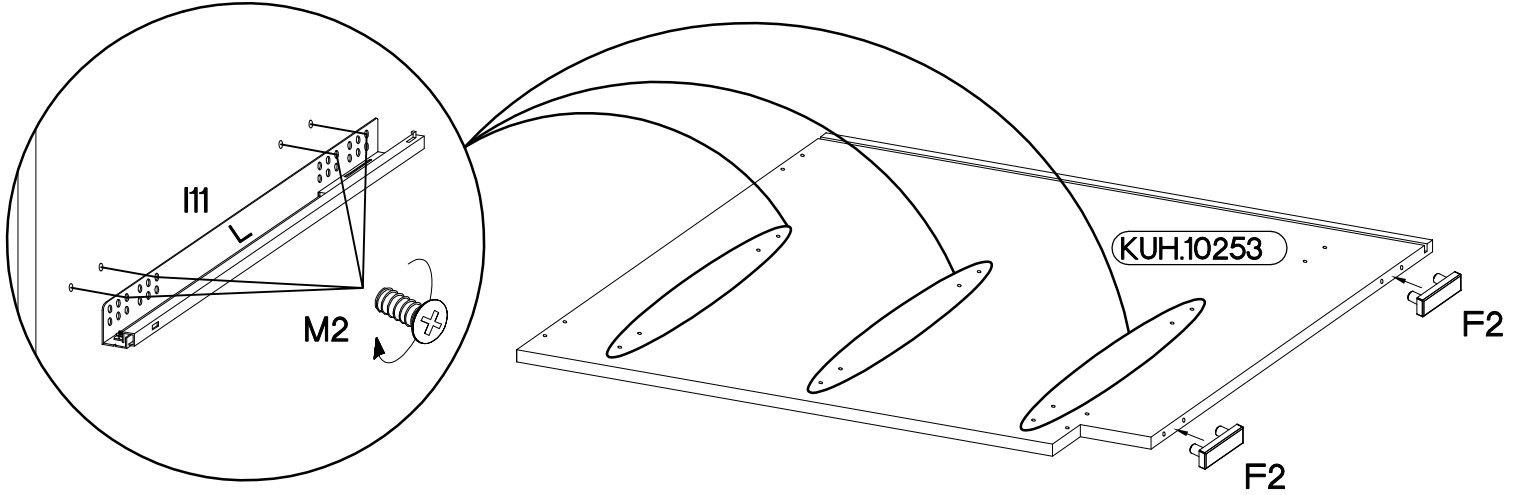
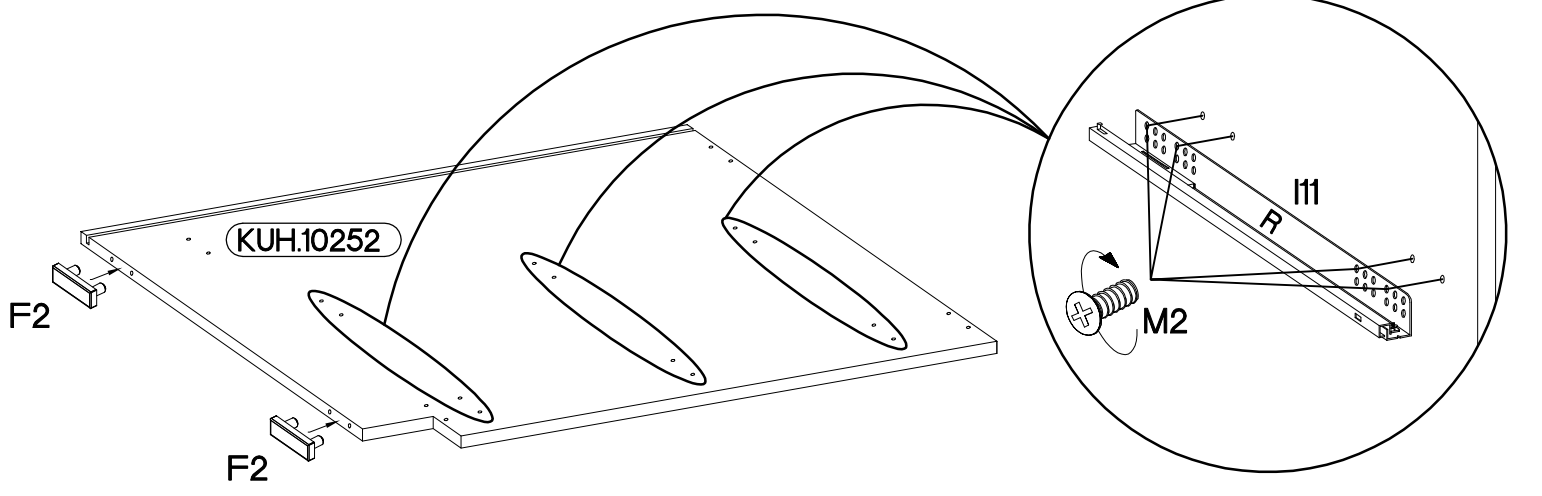
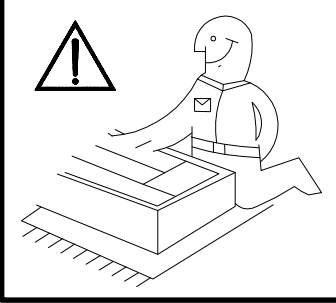
40 D 3S BB - QUADRO



| | | | | | | |
|----------------------|-----------------------|---------------------|---------|-----------------------------|-----------------------|----------------------|
| +8x30mm A 20 | 6,4 x 50mm B 8 | +6x42mm B2 10 | | | | |
| +12/10mm C5 6 | L=20mm D2 6 | E1 8 | E9 2 | [CD] L=450mm I11 3 | | |
| 6.5x48x16 F2 4 | +6.3x13mm M2 24 | O 1 | O1 1 | +4.0x45mm P4 2 | +3.0x20mm P7 16 | +4.0x35mm R3 4 |

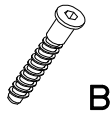
1

| | | | | |
|----------------------|-------------------|-------------------|----------------------|-----------------------|
| 6.5x48x16 F2 4 | ∅8x30mm A 8 | L L=450mm 3 | [CD] I11 M2 24 | ∅6.3x13mm M2 24 |
|----------------------|-------------------|-------------------|----------------------|-----------------------|



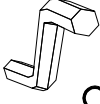
2

6,4 x 50mm



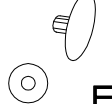
B

4



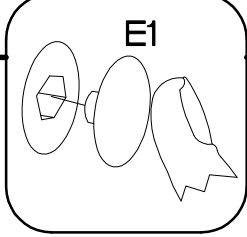
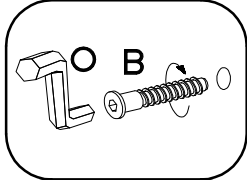
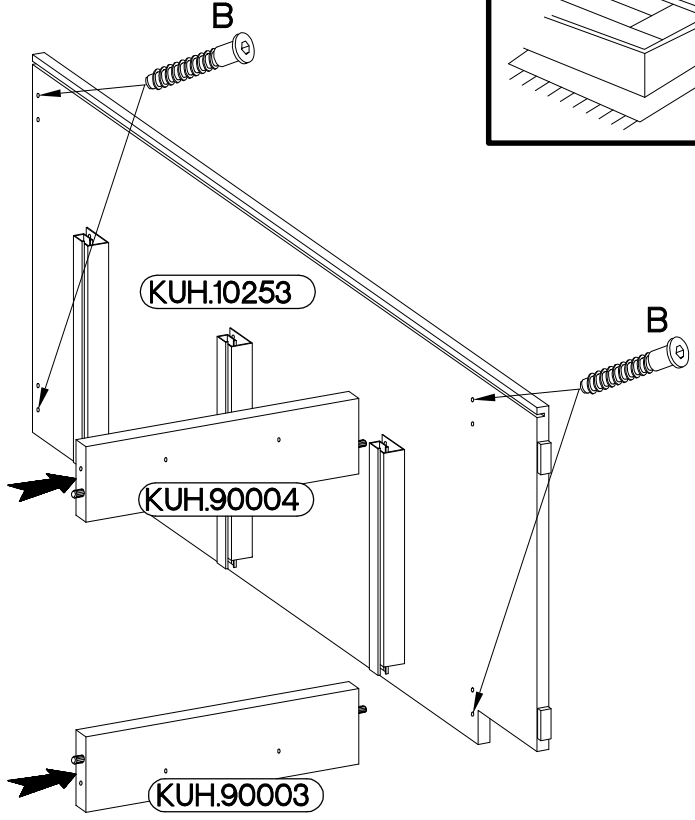
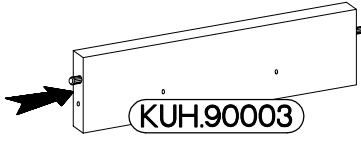
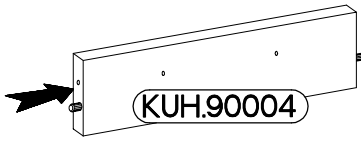
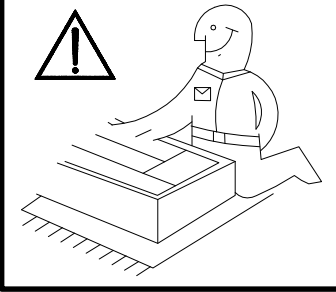
O

1

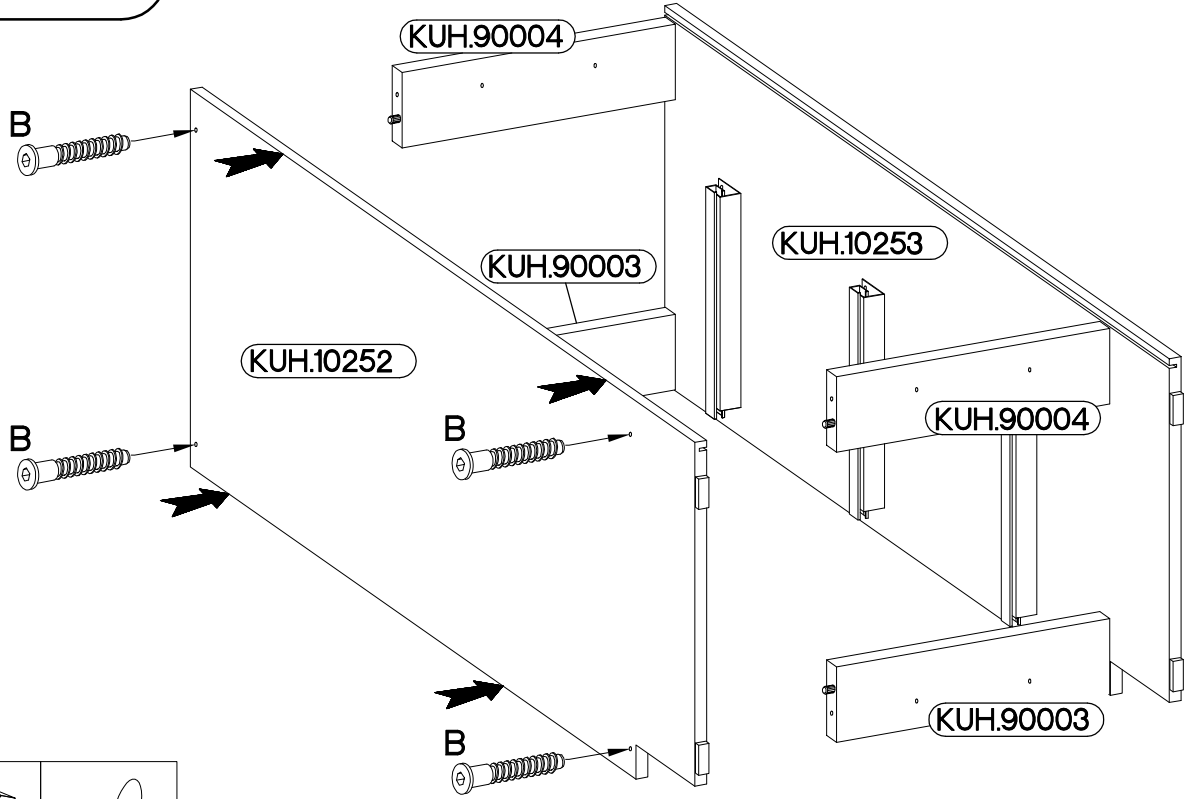


E1

4



3

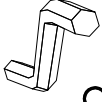


6,4 x 50mm



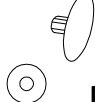
B

4



O

1

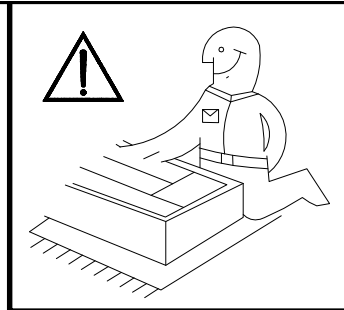
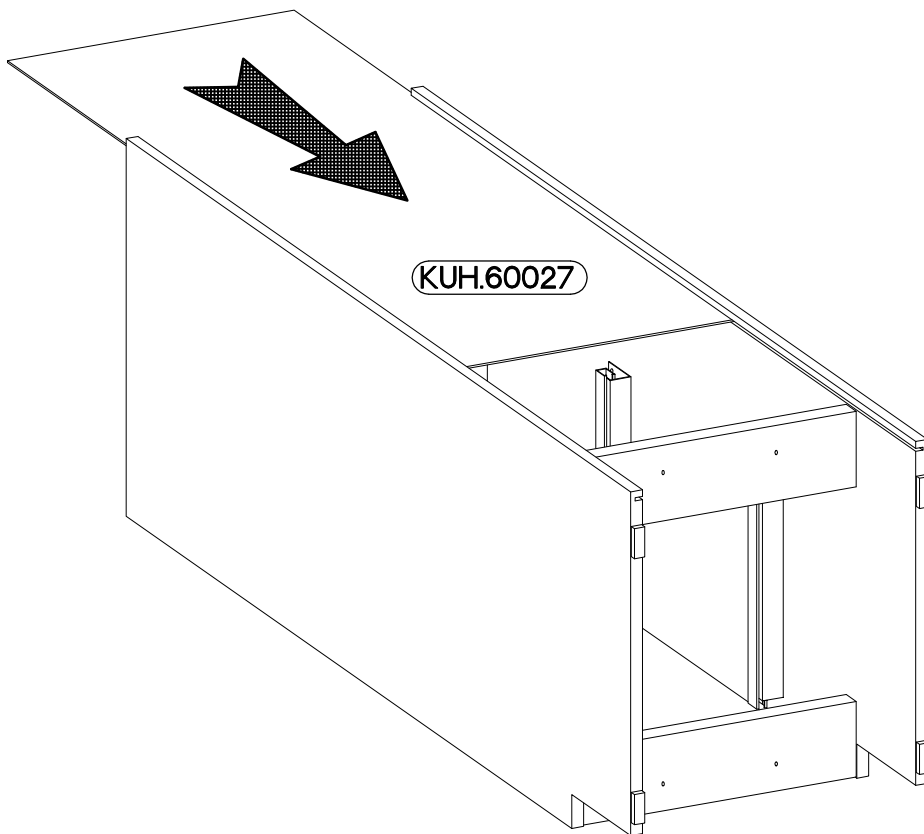


E1

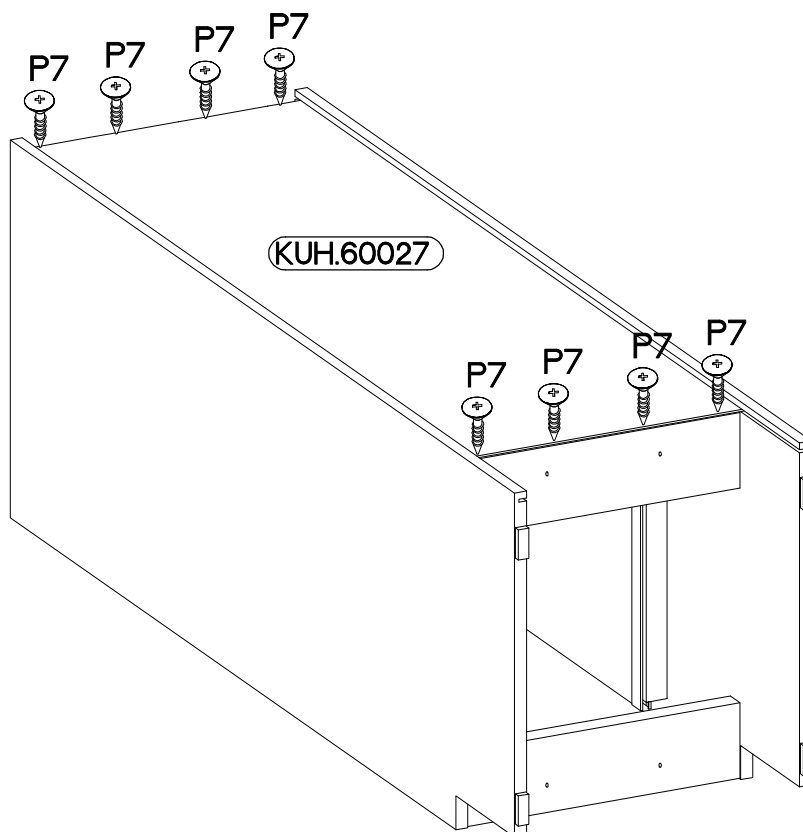
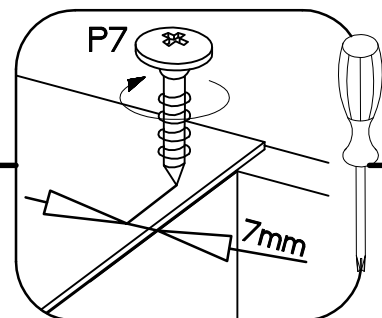
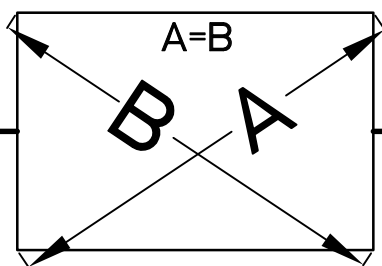
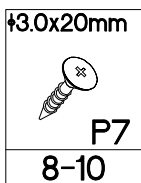
4

6,4 x 50mm




4

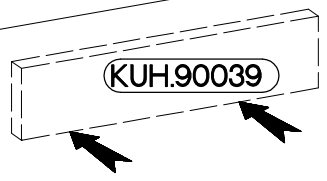
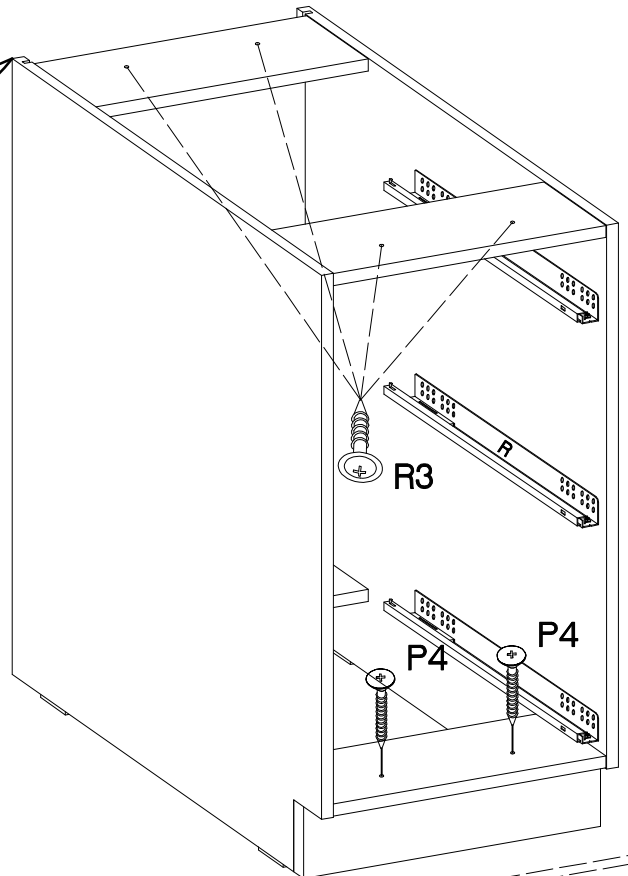
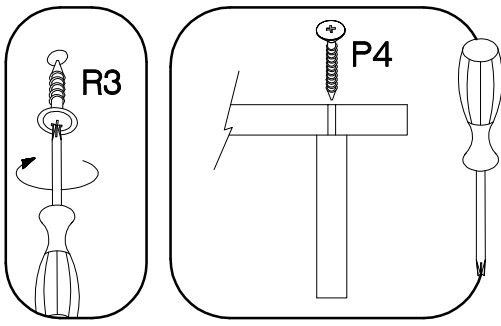
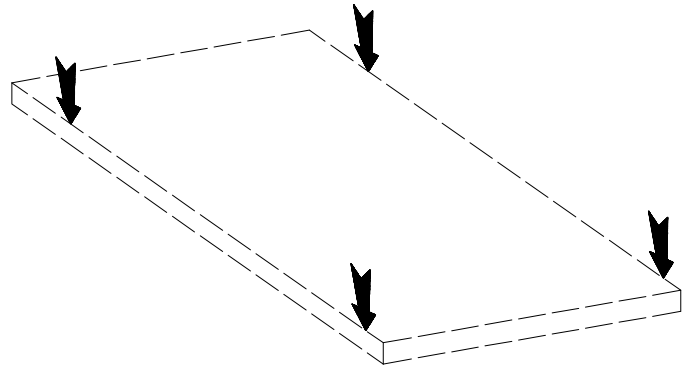
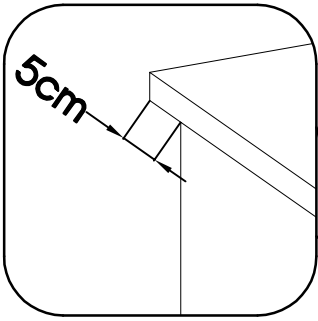


5



6

| | | |
|--|---|--|
| $\pm 4.0 \times 45 \text{mm}$  P4 2 |  E9 2 | $\pm 4.0 \times 35 \text{mm}$  R3 4 |
|--|---|--|



7

