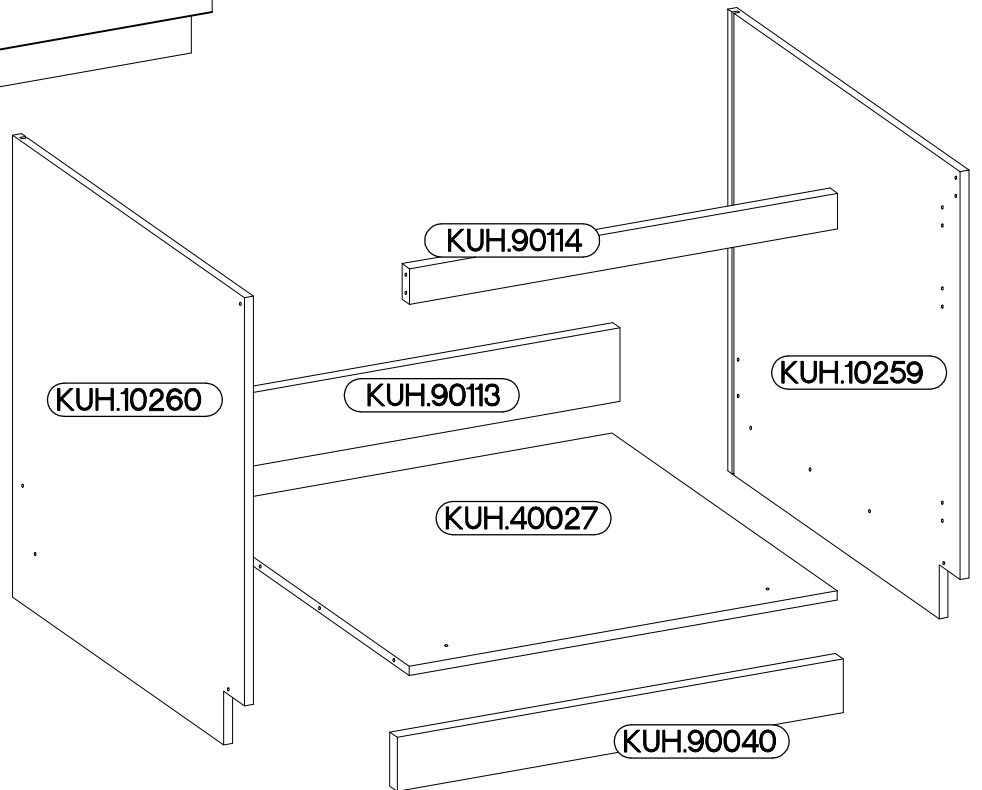
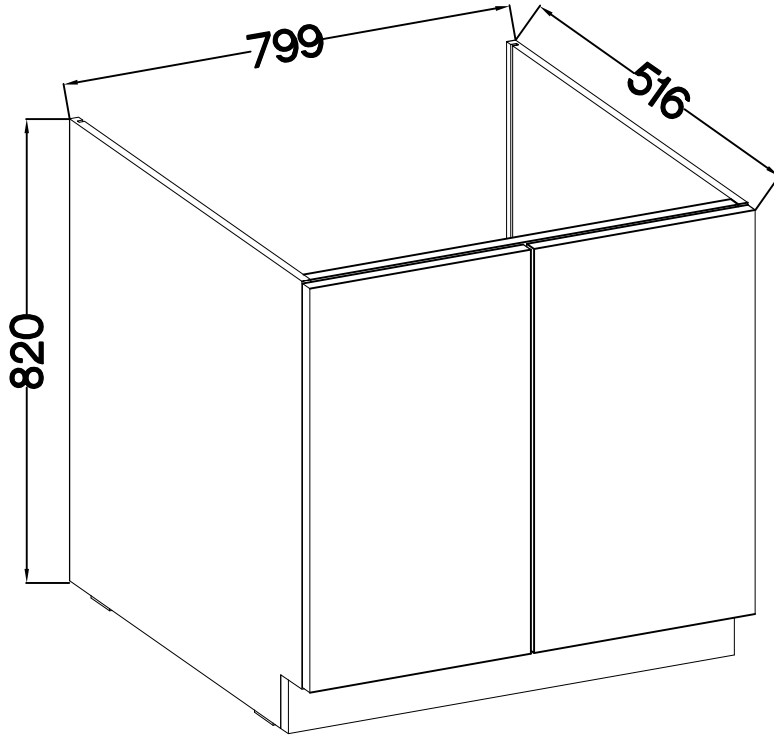
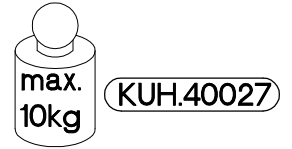
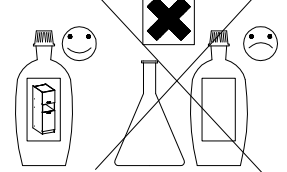



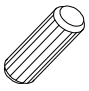
80 ZL 2F BB

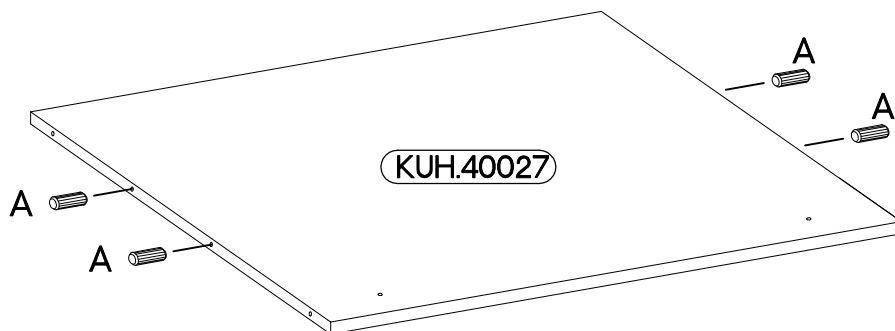
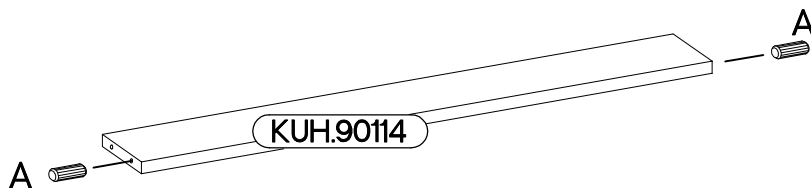
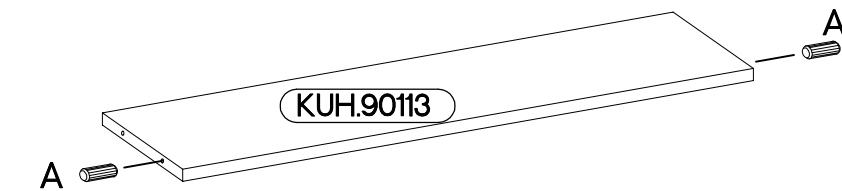
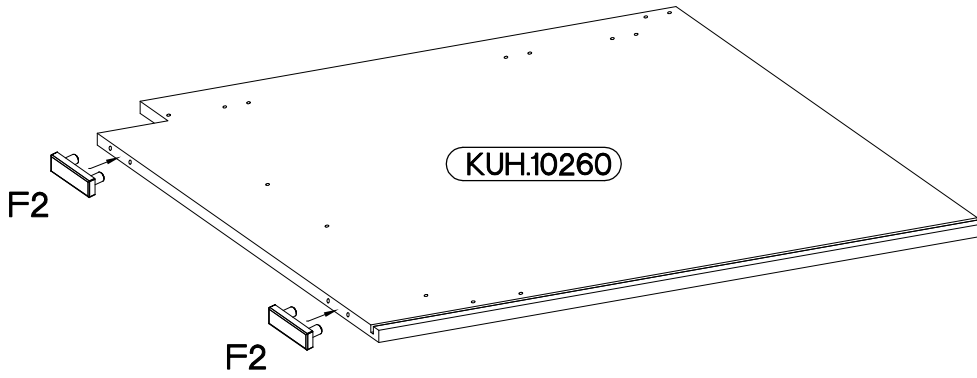
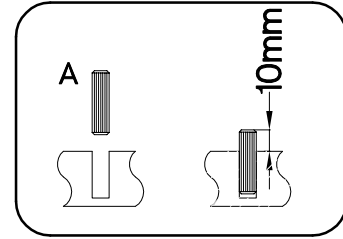
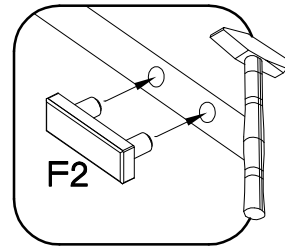
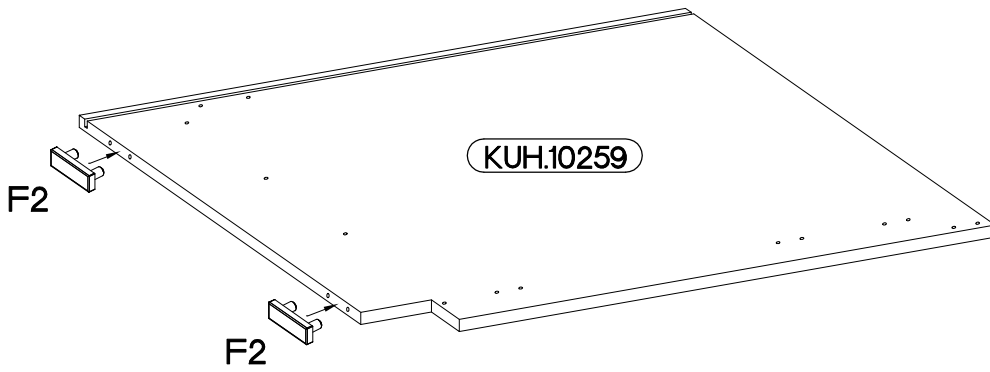
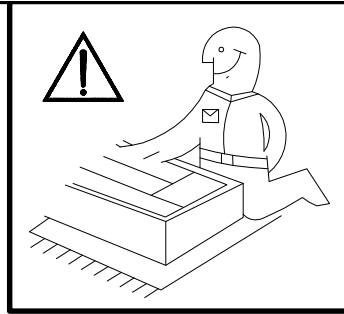


<p>+8x30mm A</p>	<p>6.4 x 50mm B</p>	<p>E1</p>			
8	8	8			
<p>E9</p>	<p>6.5x48x16 F2</p>	<p>+35/0mm HG</p>	<p>O</p>	<p>+4.0x45mm P4</p>	<p>+3.5x13mm P5</p>
2	4	4	1	2	8

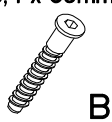
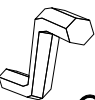
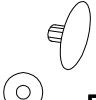
ISM-KUH-01629

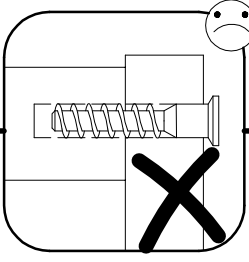
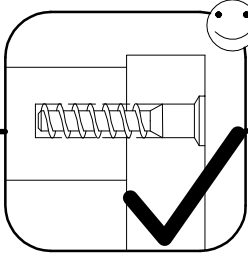
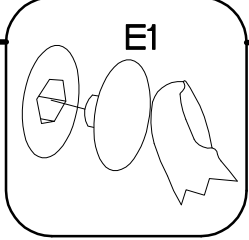
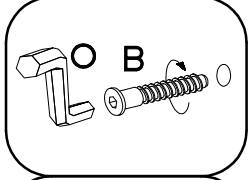
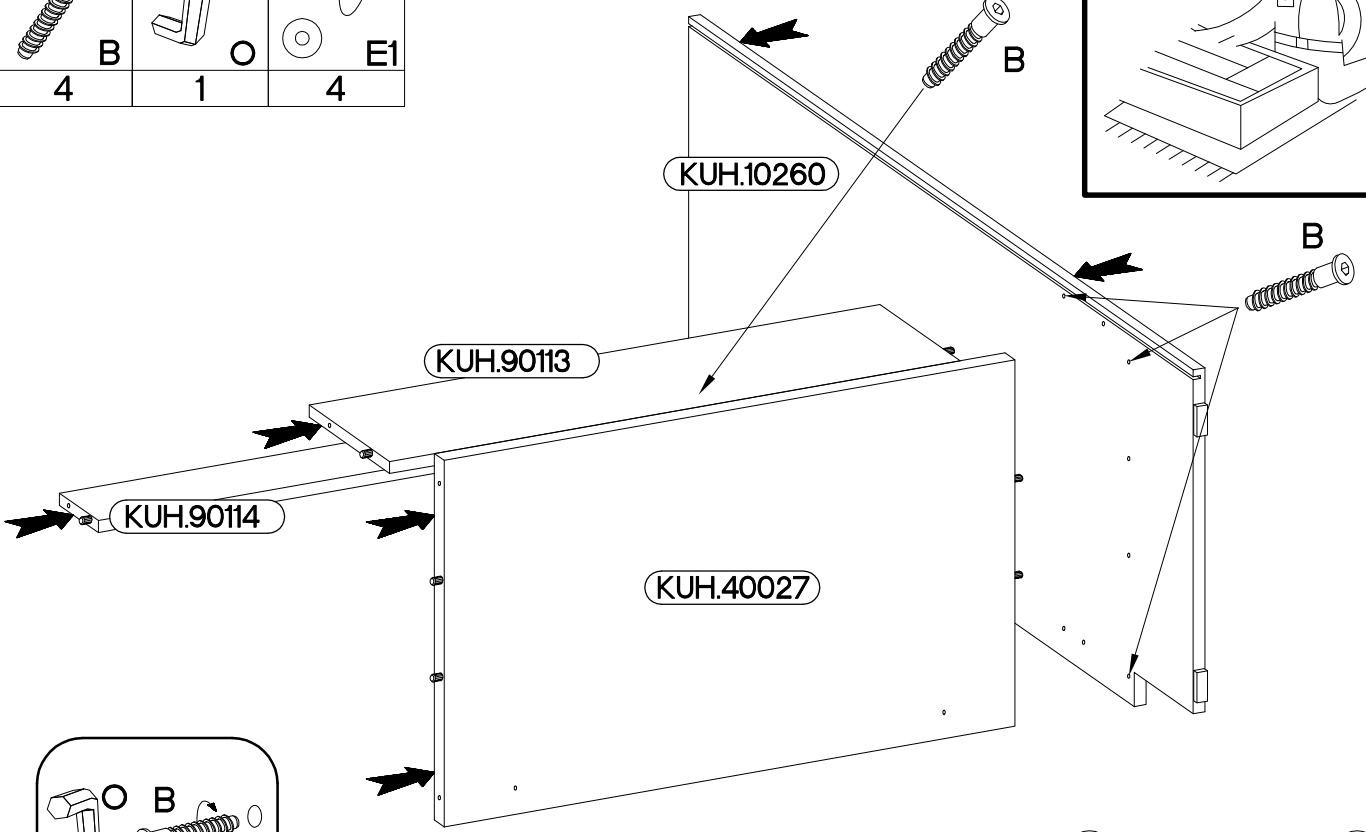
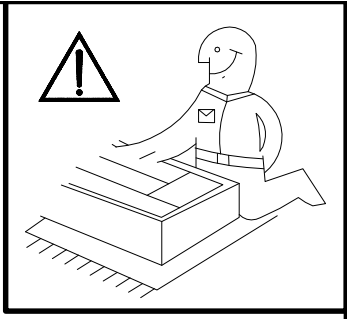
1

6.5x48x16  F2 4	+8x30mm  A 8
----------------------------------------------------------------------------------------------------------	-------------------------------------------------------------------------------------------------------

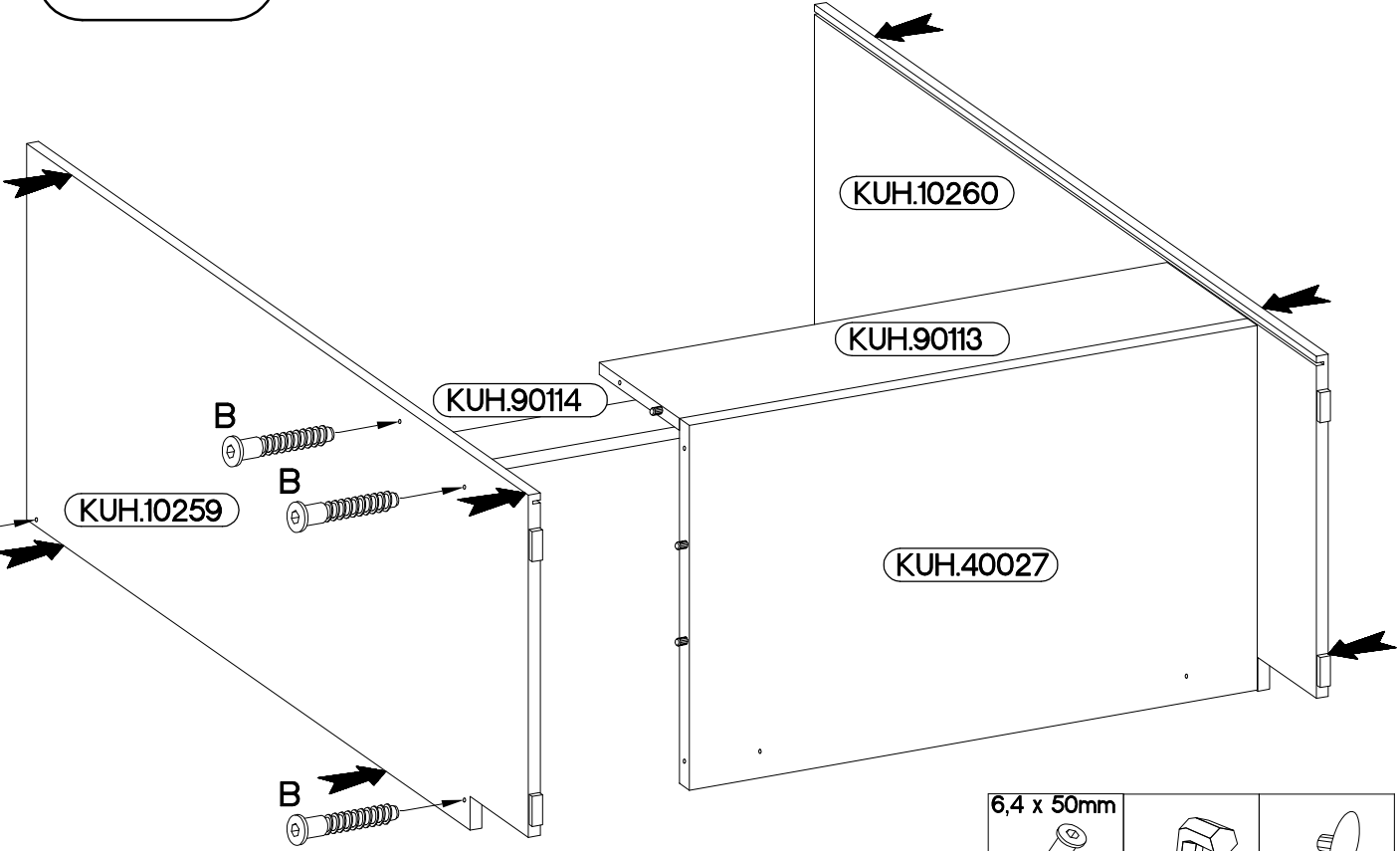


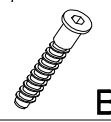
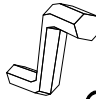
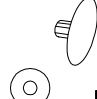
2

6,4 x 50mm		
		
B	O	E1
4	1	4





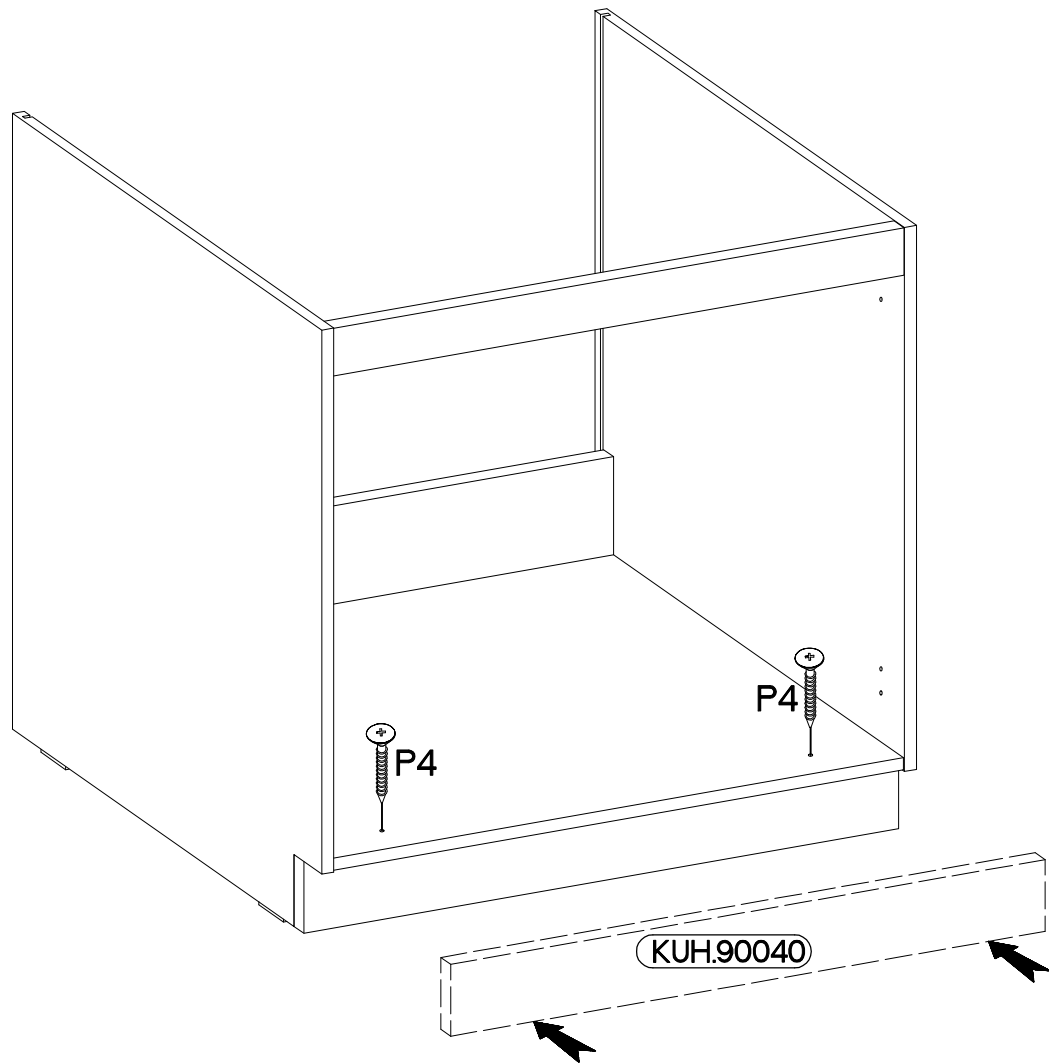
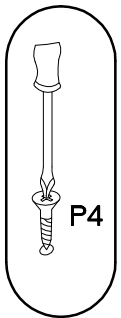
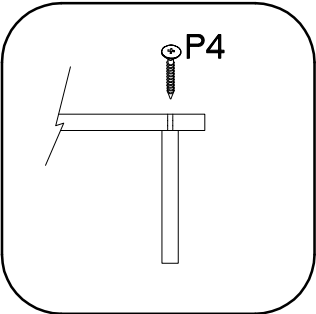
3



6,4 x 50mm		
		
B	O	E1
4	1	4

4

 +4.0x45mm P4	 E9
2	2



5

FRONT

